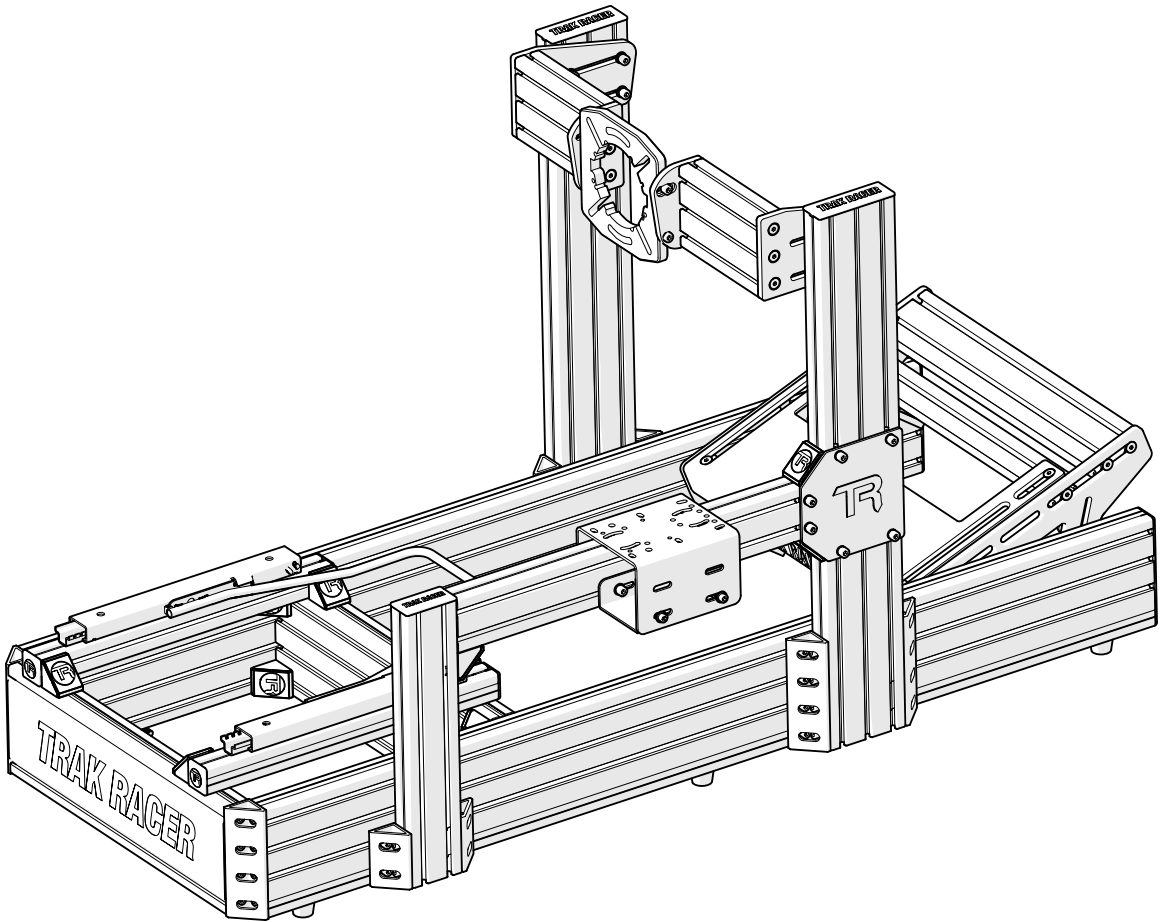


TR160

Assembly Guide



IMPORTANT: As there are different versions of each rig depending on your region, please ensure that you are using the correct instruction set. The part number below should match the part number labeled on your box

TR1604-BLK



TRAK RACER

Published 2022-07-11

TABLE OF CONTENTS

3 Part list

4 Symbol Legend

5 Assembly Notes

10 TR1604-BLK Assembly Instructions

14 Stabilizing Feet Option

16 Seat Slider Option

18 Recliner seat installation

22 GT/Rally seat installation

24 Pedal Option 1

27 Pedal Option 2

30 Pedal Option 3

33 Pedal Option 4

37 Wheel Mount Option 1

40 Wheel Mount Option 2

43 Wheel Mount Option 3

46 Wheel Mount Option 4

49 Wheel Mount Option 5

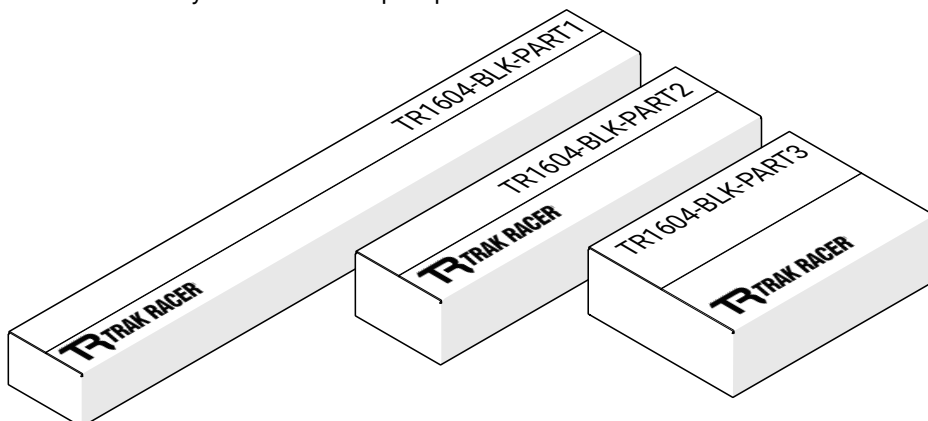


IMPORTANT: As there are different versions of each rig depending on your region, please ensure that you are using the correct instruction set. The part number below should match the part number labeled on your box

TR1604-BLK PARTS LIST

Part #	Description	QTY	Check
BOX #: TR1604-BLK-PART1			
PS-1400-R	Profile strip, 1400mm Red	4	
AL-160-1400	Aluminum Profile, 40x160x1400mm	2	
BOX #: TR1604-BLK-PART2			
PS-460-R	Profile strip, 460mm Red	2	
AL-40-460	Aluminum Profile, 40x40x460mm	2	
AL-120-780	Aluminum Profile, 40x120x780mm	2	
AL-80-580	Aluminum Aluminum Profile, 40x80x580mm	1	
AL-80-400	Aluminum Aluminum Profile, 40x80x400mm	1	
SM-01	Shifter Mount	1	
SM-02	Shifter Bracket	1	
BOX #: TR1604-BLK-PART3			
CC-01	Cable Management Clips	10	
BC-40	Bracket, Corner with Cap, 40x40	11	
BA-160-BLK	Bracket, Anodized corner, 40x160, Black	6	
BA-80-BLK	Bracket, Anodized corner, 40x80, Black	2	
EC-160	End Cap, 40x160	2	
EC-120	End Cap, 40x120	2	
EC-80	End Cap, 40x80	1	
EC-40	End Cap, 40x40	4	
FR-01	Feet, Rubber	6	
LP-160	Logo Plate, TR160	1	
NF-M8	Nut (Flange), M8	2	
NS-M8	T-Nut (Spring), M8	76	
NS-M6	T-Nut (Spring), M6	6	
AL-160-500	Aluminum Profile, 40x160x500mm	2	
SH-M8-16	Screw (Hex), M8x16	44	
SH-M8-20	Screw (Hex), M8x20	20	
SH-M8-20	Screw (Hex), M8x20	30	
SH-M6-20	Screw (Hex), M6x20	6	
BP-120-H	Bracket (Plate), 120, Horizontal	1	
SS-01	Seat Slider (includes separate hardware)	1	
TK-M8	Tool Kit, M8	1	
WF-M8	Washer (Flat), M8	34	
WL-M8	Washer (Lock), M8	34	

* **NOTE:** Extra hardware may be included as spare parts





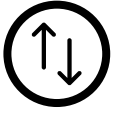
Two people needed



Tighten hardware



Leave hardware loose for adjustment



Make Adjustment



Break tab off Corner bracket CB1



Safety glasses needed



Attention / Priority

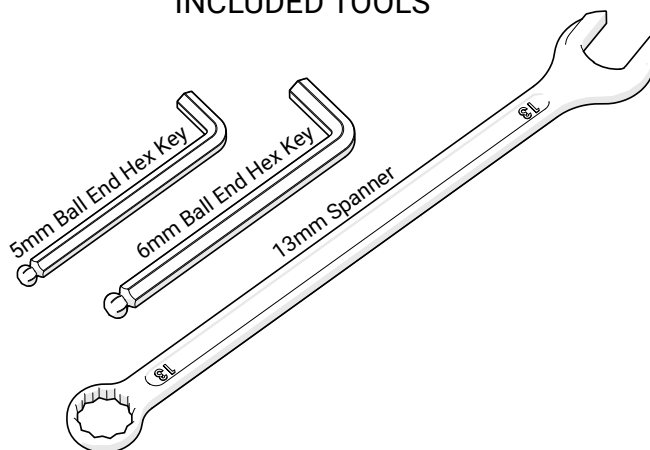


Reserve for following step

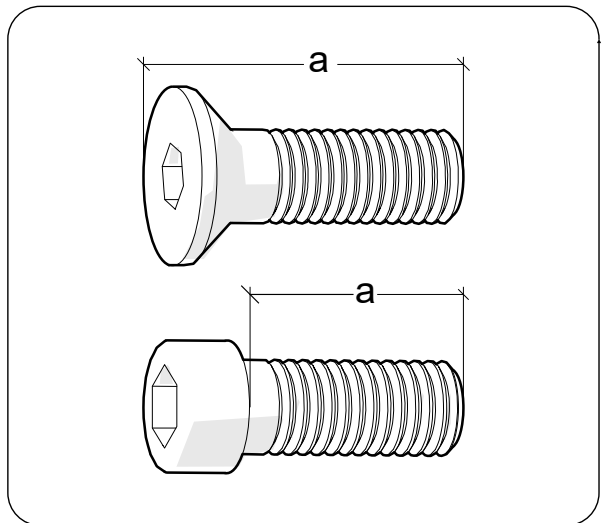
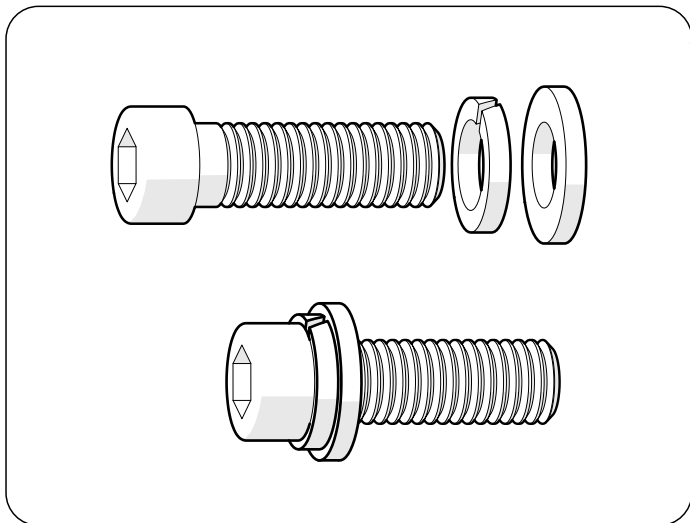
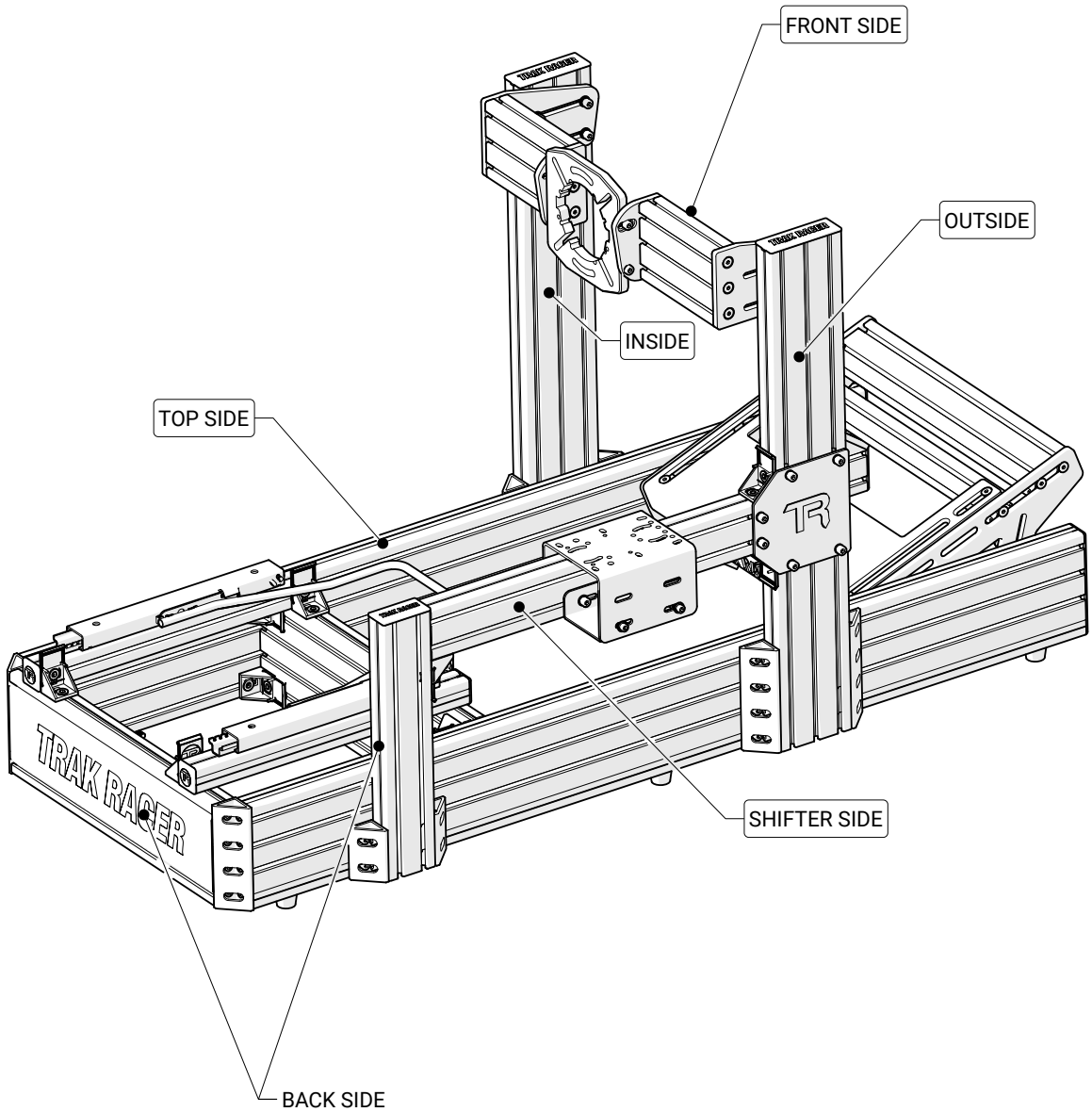


Mirrored Components (Same on both sides)

INCLUDED TOOLS

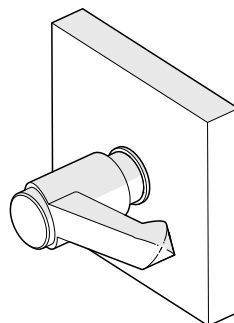
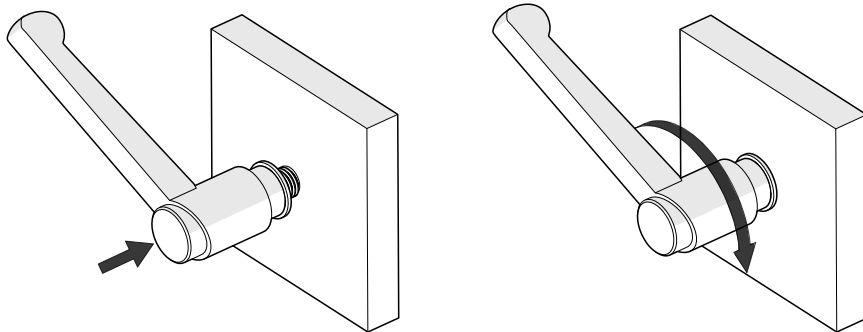
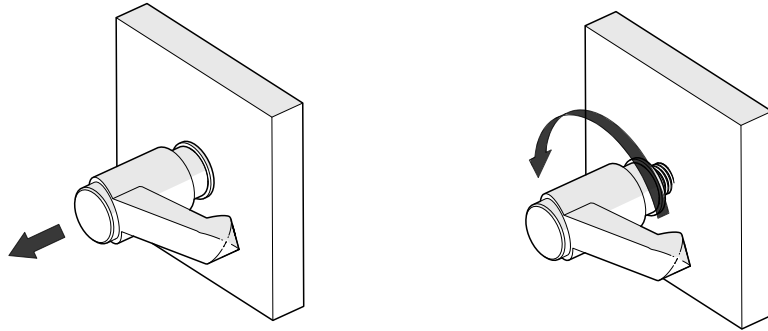
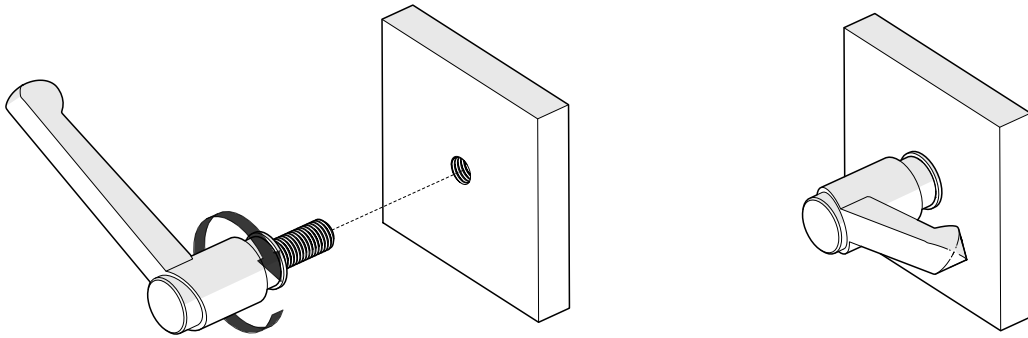


NOTE



NOTE

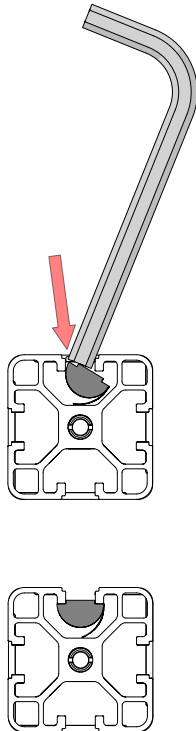
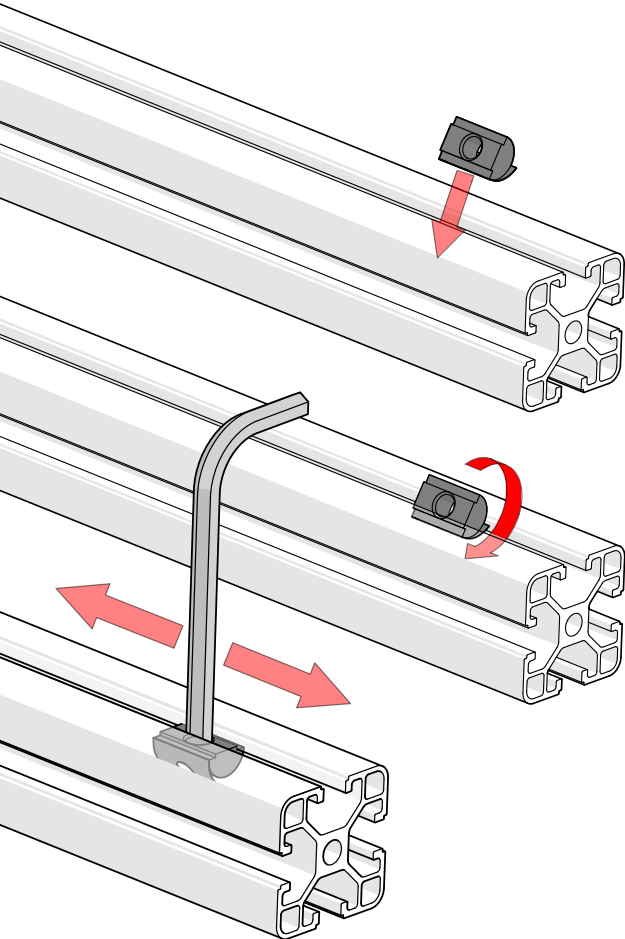
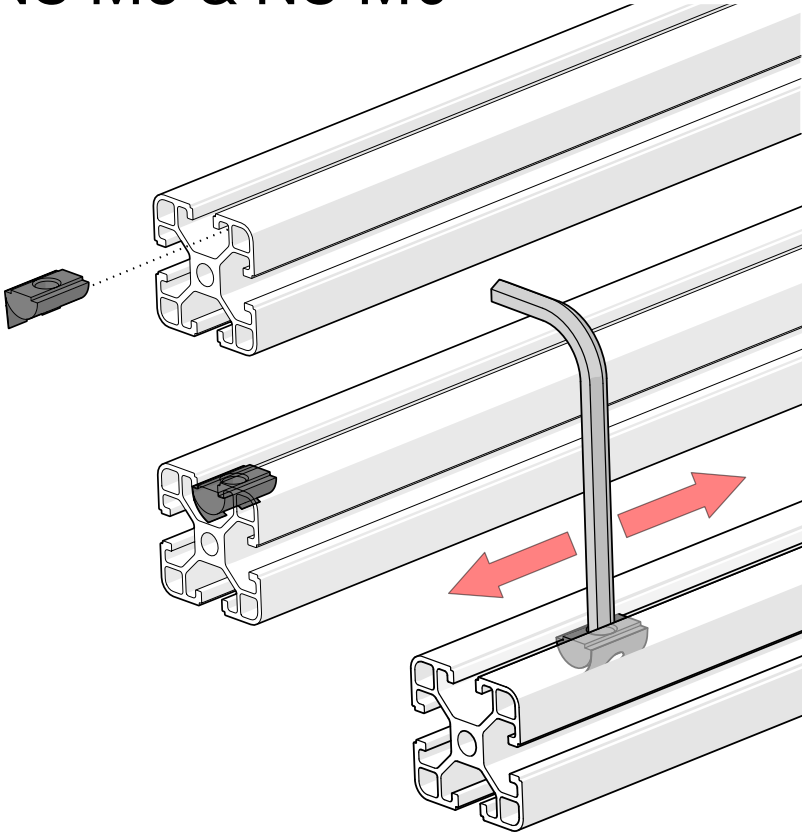
The handle screws (SL-M8-20 & SL-M8-25) are ratcheted to allow for tightening and loosening when space for rotation is limited. Simply pull the handle out and turn handle into position and push handle back in to engage thread.



NOTE

NS-M8 & NS-M6

It is strongly advised that spring T-Nuts are inserted by sliding from the ends of profiles. Please take careful note of each step of all T-nuts as some are to be installed in anticipation of future steps.

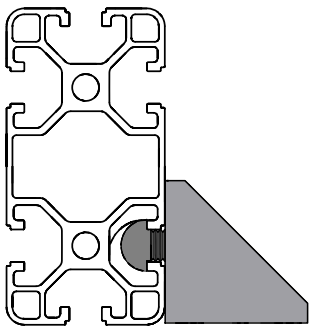
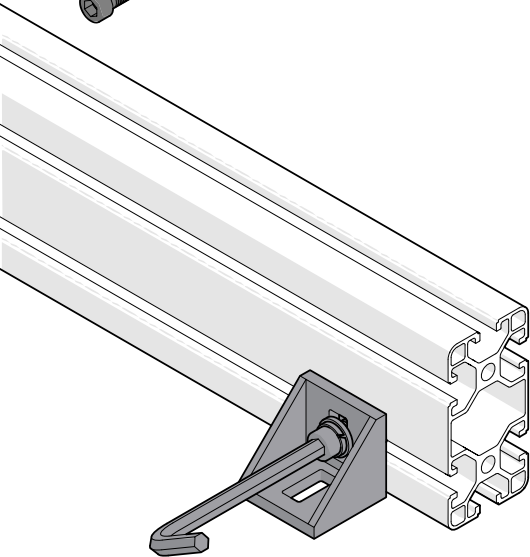
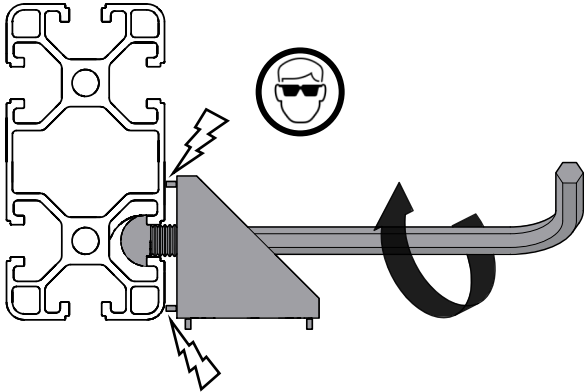
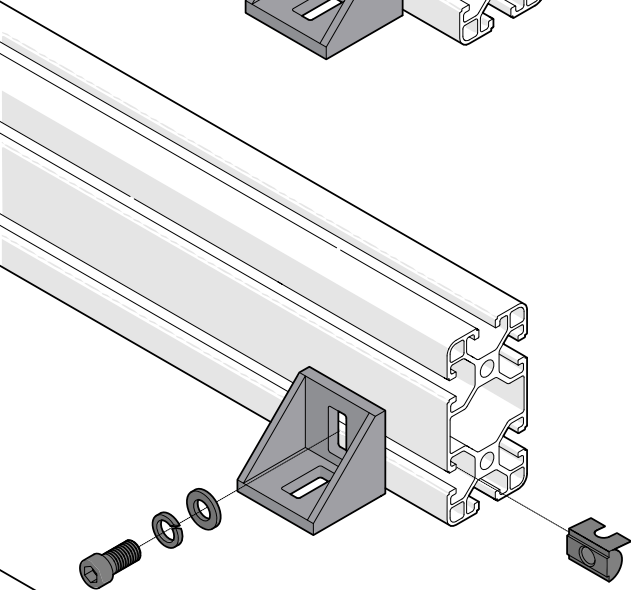
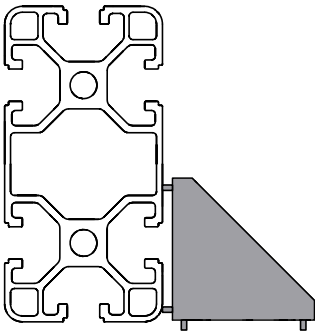
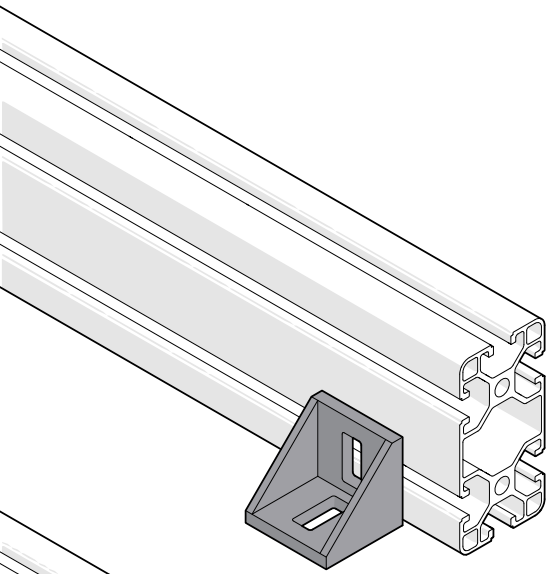


If T-Nuts are skipped, and the ends are no longer accessible, they can be inserted by "rocking" them in from the outer face as shown.

Use the provided allen key to push the T-Nut into position and place the hole to slide into position.

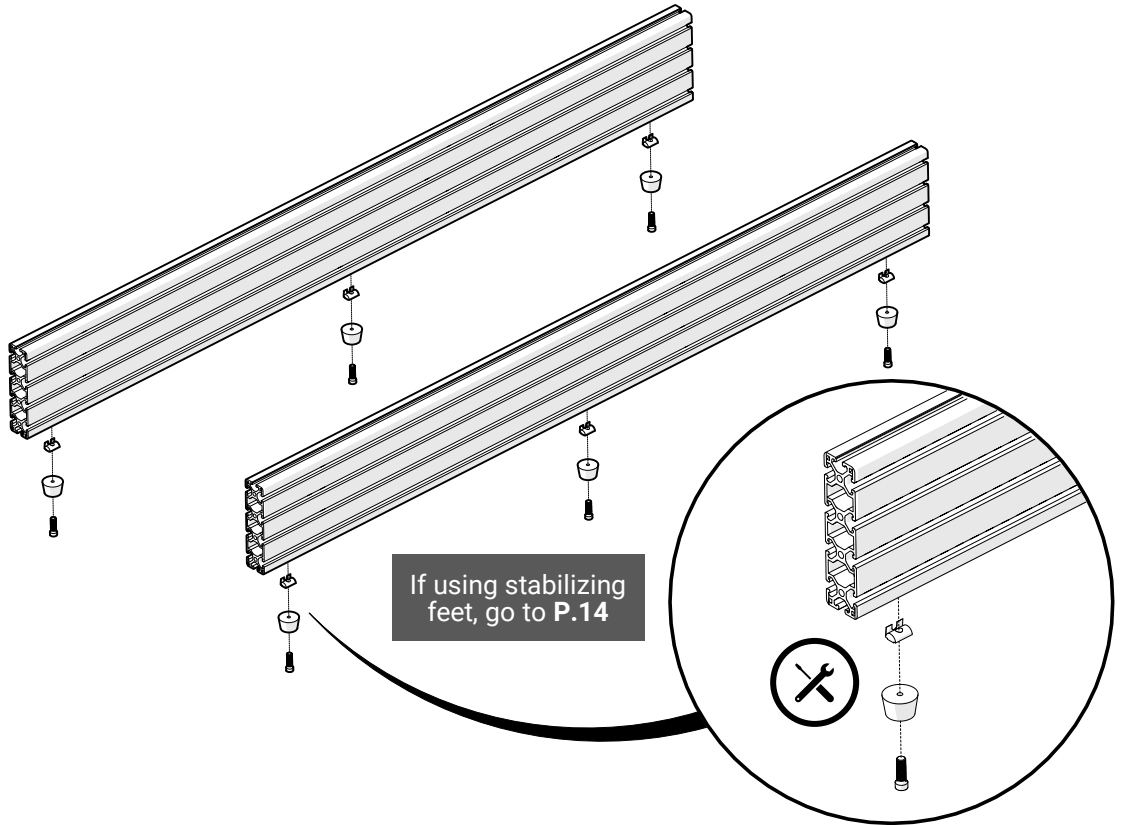
NOTE

BC-40



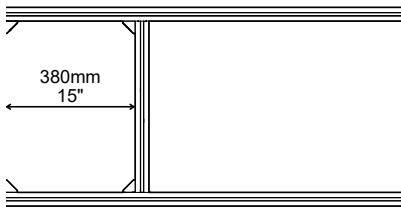
1

- AL-160-1400 x2
- NS-M6 x6
- FR-01 x6
- M6x20mm
- SH-M6-20 x6



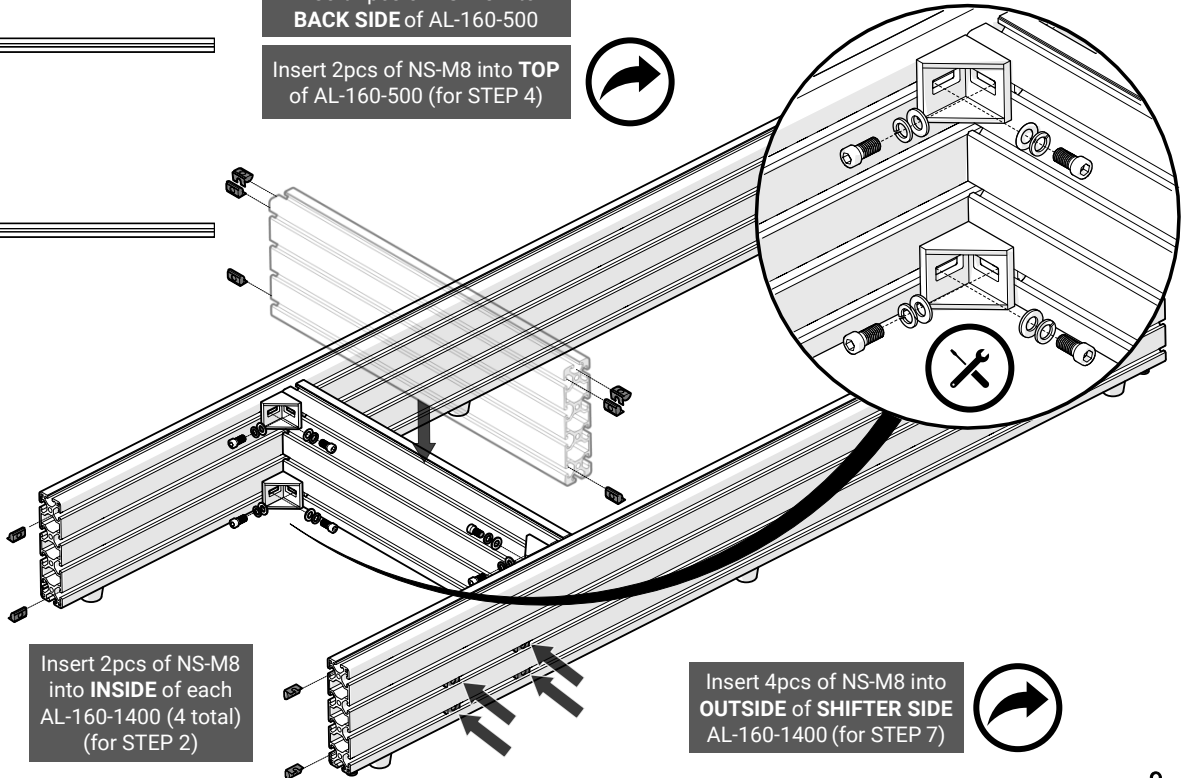
2

- AL-160-500 x1
- NS-M8 x14
- M8x20mm
- WF-M8 x8
- WL-M8 x8
- BC-40 x4

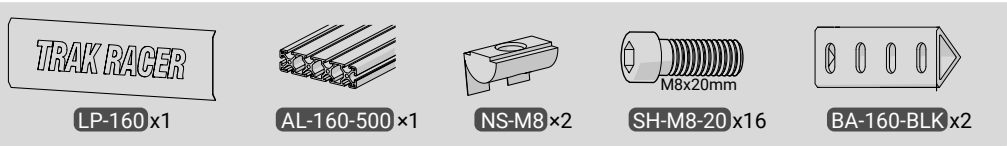


Insert 4pcs of NS-M8 into **BACK SIDE** of AL-160-500

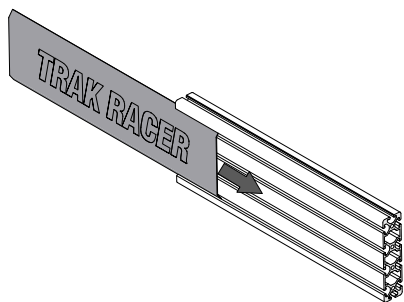
Insert 2pcs of NS-M8 into **TOP** of AL-160-500 (for STEP 4)



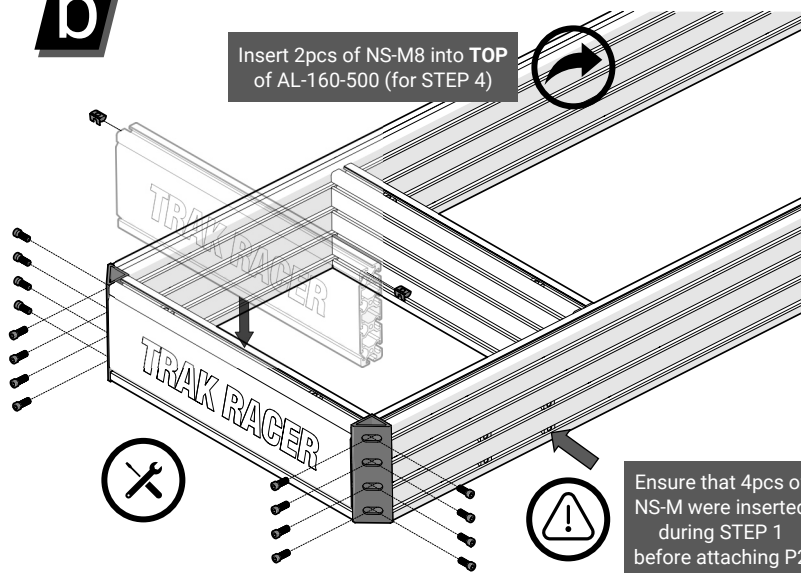
3



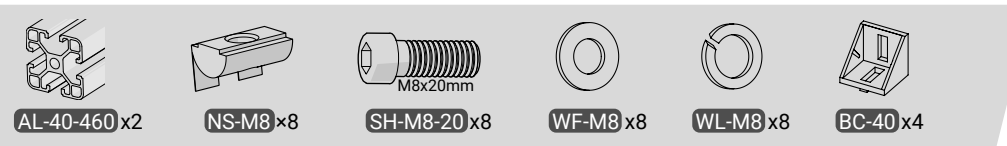
a



b

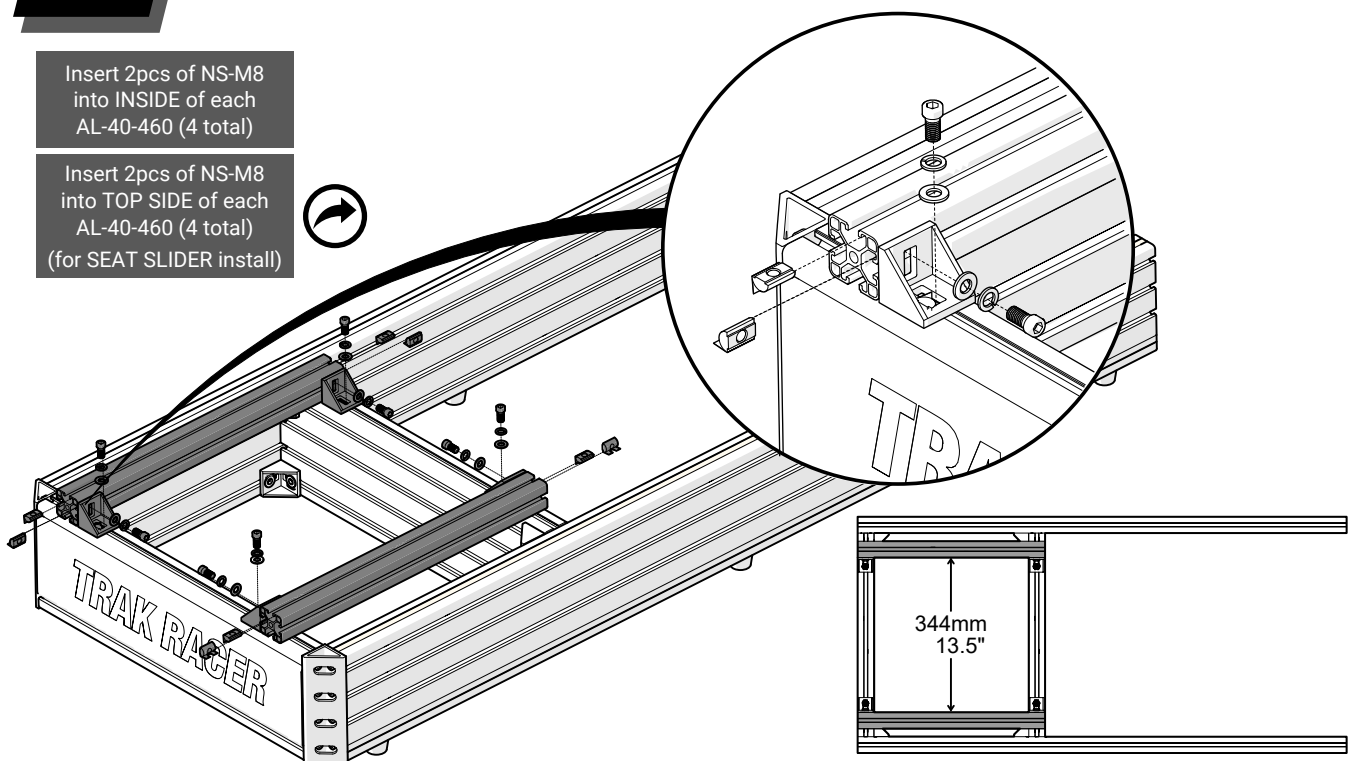


4

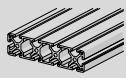


Insert 2pcs of NS-M8 into INSIDE of each AL-40-460 (4 total)

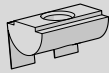
Insert 2pcs of NS-M8 into TOP SIDE of each AL-40-460 (4 total) (for SEAT SLIDER install)



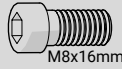
5



AL-120-780x2



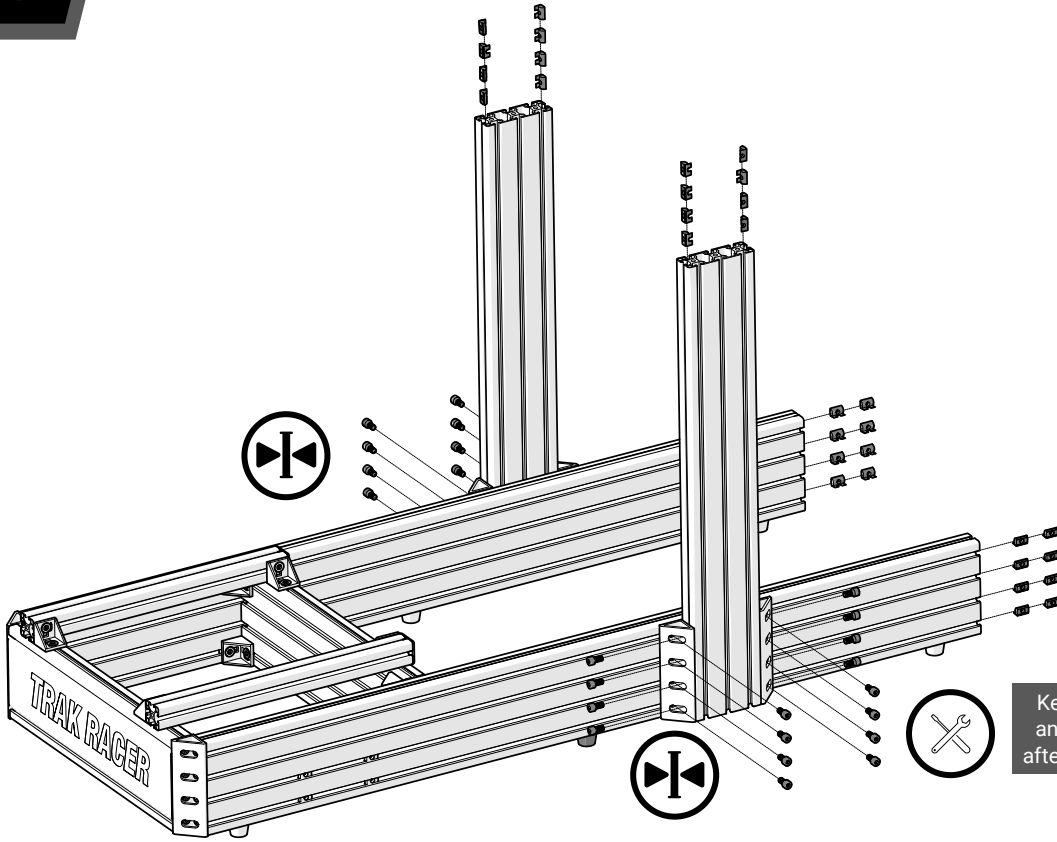
NS-M8x32



SH-M8-16x32

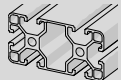


BA-160-BLKx4

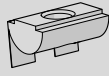


Keep slightly loose and adjust position after seat installation.

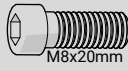
6



AL-80-580x1



NS-M8x11



SH-M8-20x5



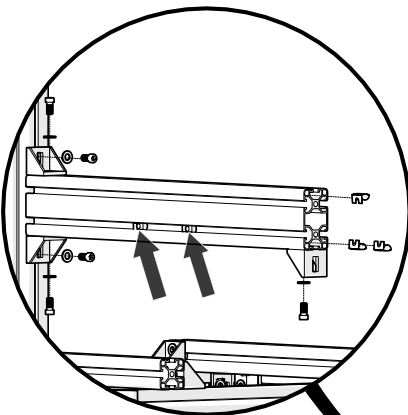
WF-M8x5



WL-M8x5



BC-40x3



2pcs into **INSIDE** of AL-80-580 (for STEP 8)

Insert 2pcs NS-M8 into the **BACK SIDE** of AL-80-780

Insert 1pcs of NS-M8 into **TOP SIDE** of AL-80-580

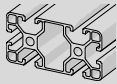
Insert 2pcs of NS-M8 into **BOTTOM SIDE** of AL-80-580

4pcs of NS-M8 into **OUTSIDE** of AL-80-580 (for STEP 8 & 9)

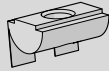
160mm
(6.3")



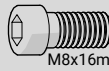
7



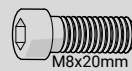
AL-80-400 x1



NS-M8 x5



M8x16mm
SH-M8-16 x8



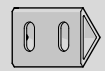
M8x20mm
SH-M8-20 x1



WF-M8 x1



WL-M8 x1



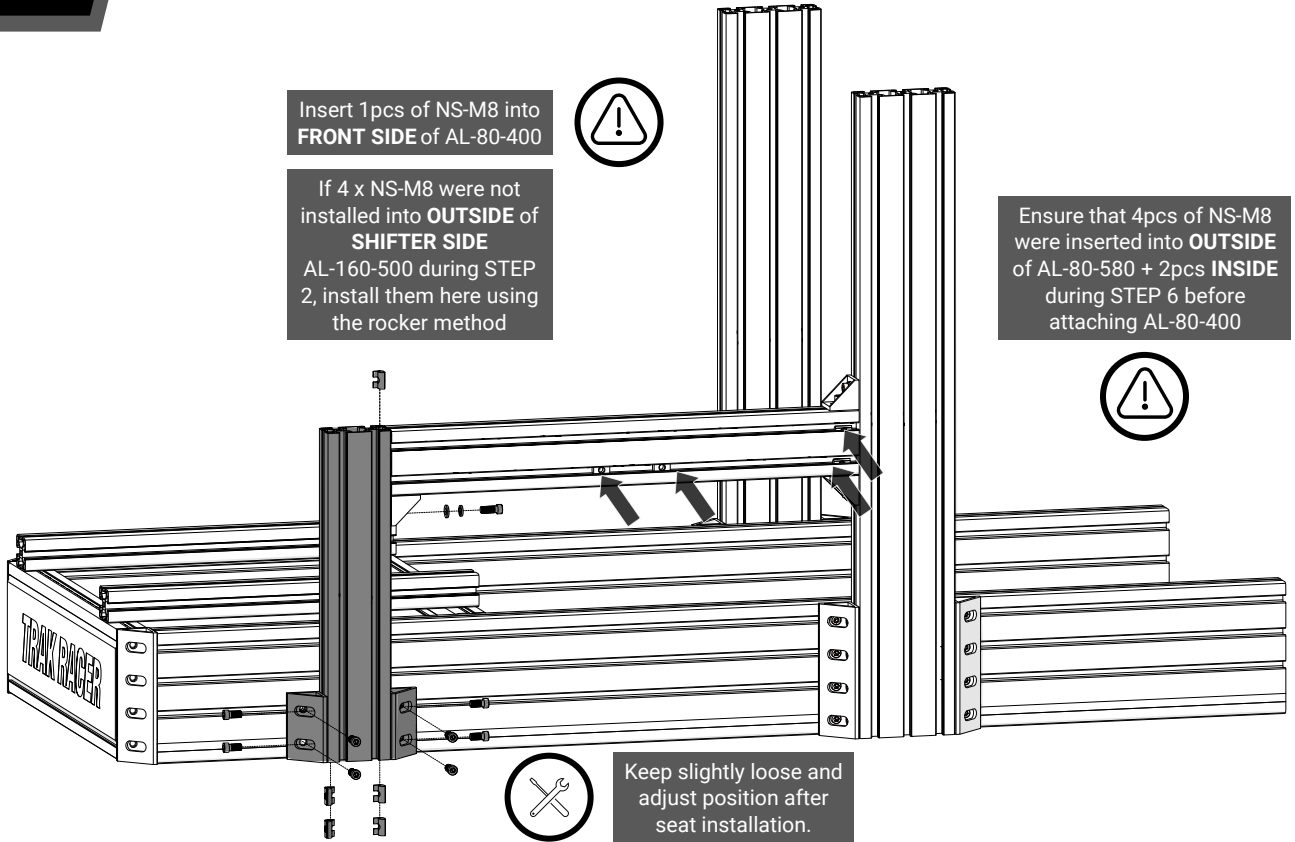
BA-80-BLK x2

Insert 1pcs of NS-M8 into
FRONT SIDE of AL-80-400



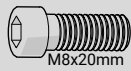
If 4 x NS-M8 were not
installed into **OUTSIDE** of
SHIFTER SIDE
AL-160-500 during STEP
2, install them here using
the rocker method

Ensure that 4pcs of NS-M8
were inserted into **OUTSIDE**
of AL-80-580 + 2pcs **INSIDE**
during STEP 6 before
attaching AL-80-400



Keep slightly loose and
adjust position after
seat installation.

8



M8x20mm
SH-M8-20 x6



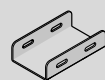
WF-M8 x6



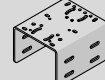
WL-M8 x6



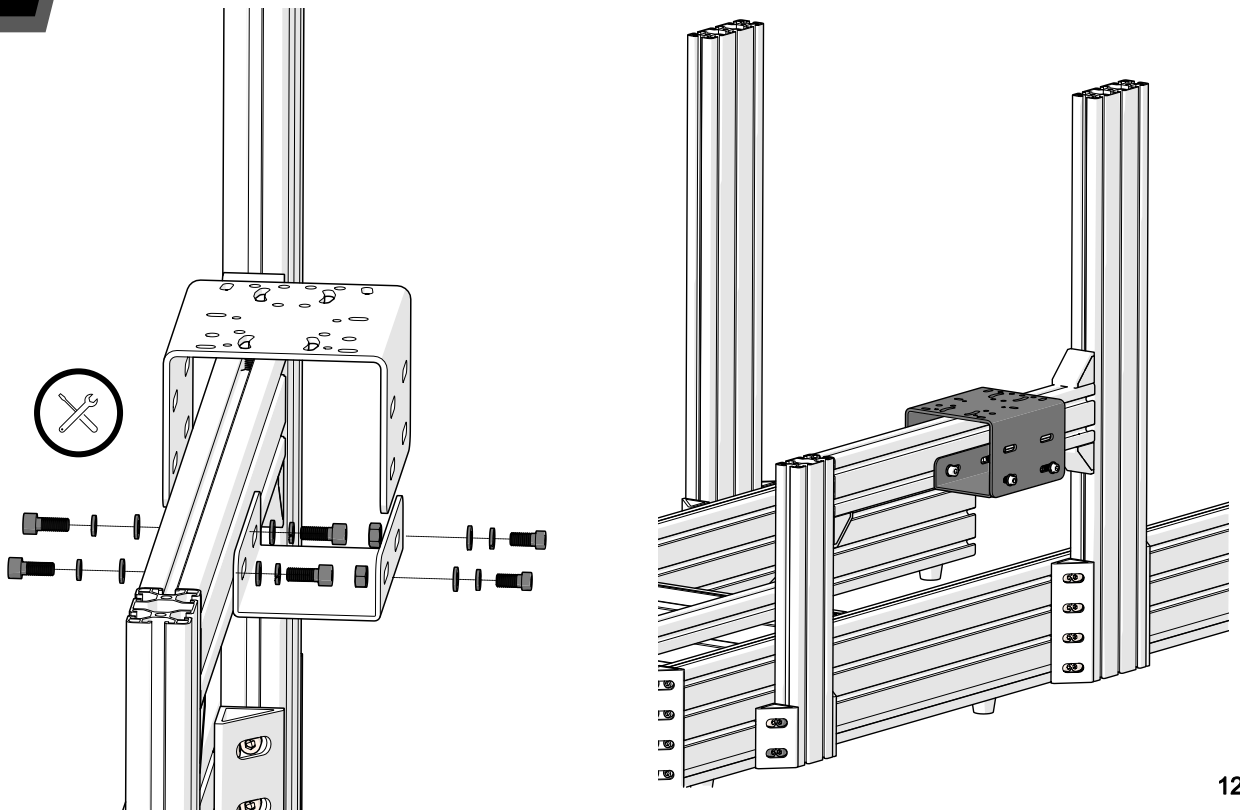
NF-M8 x2



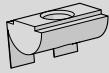
SM-02 x1



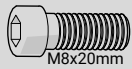
SM-01 x1



9



NS-M8 x4



SH-M8-20 x6



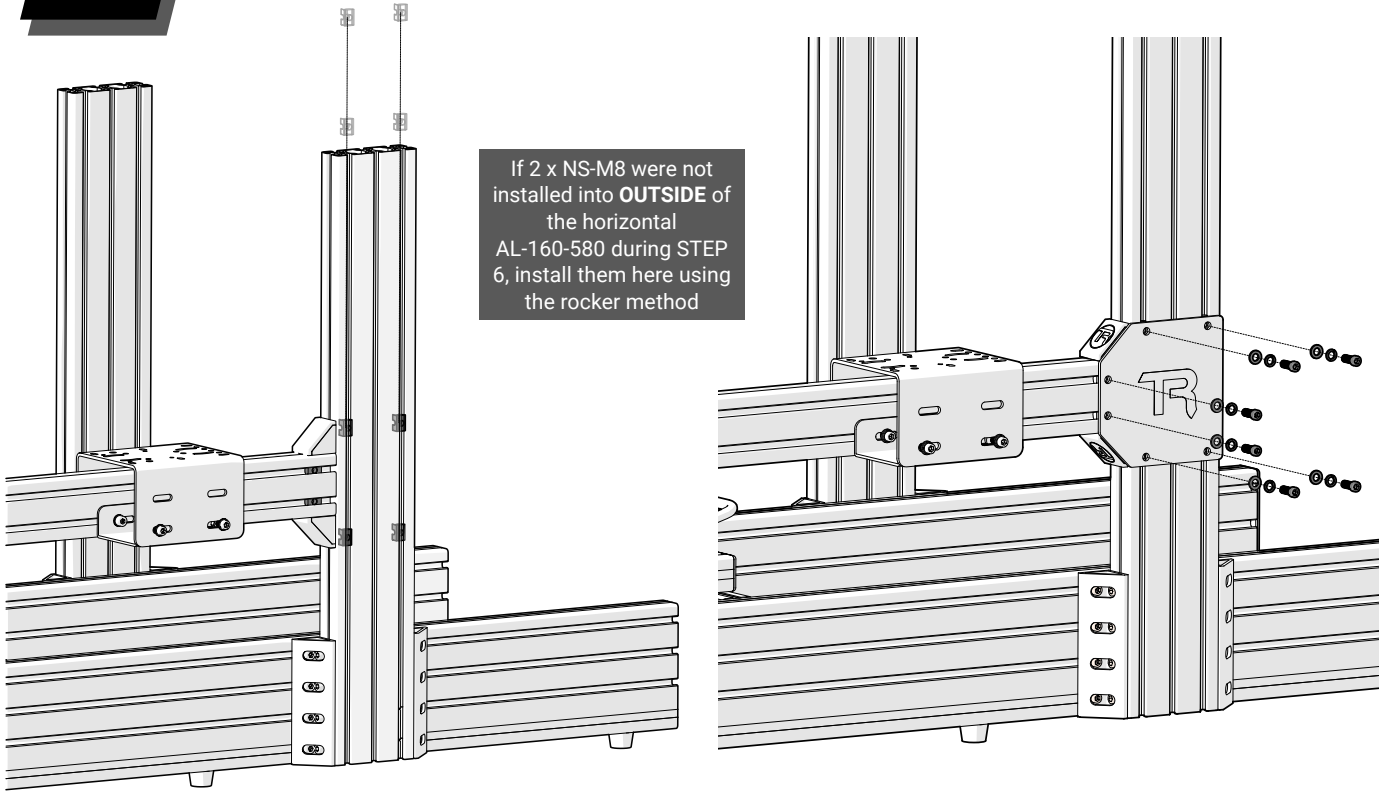
WL-M8 x6



WF-M8 x6



BP-120-H x1



If 2 x NS-M8 were not installed into **OUTSIDE** of the horizontal AL-160-580 during STEP 6, install them here using the rocker method

10



BC-40 x11



EC-40 x4



EC-80 x1

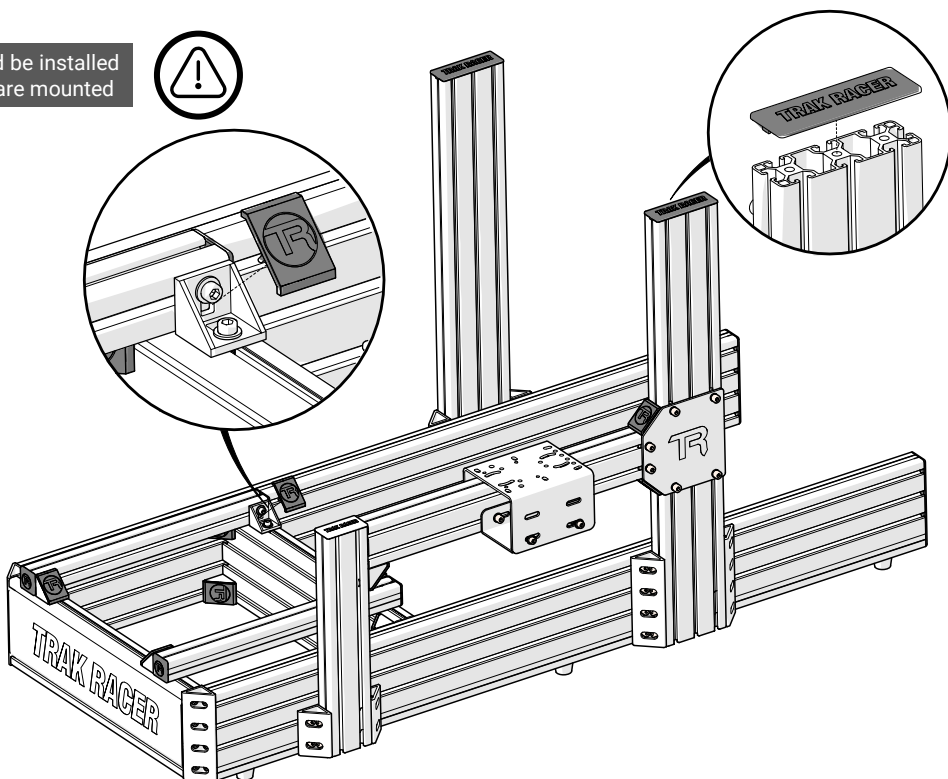


EC-120 x2

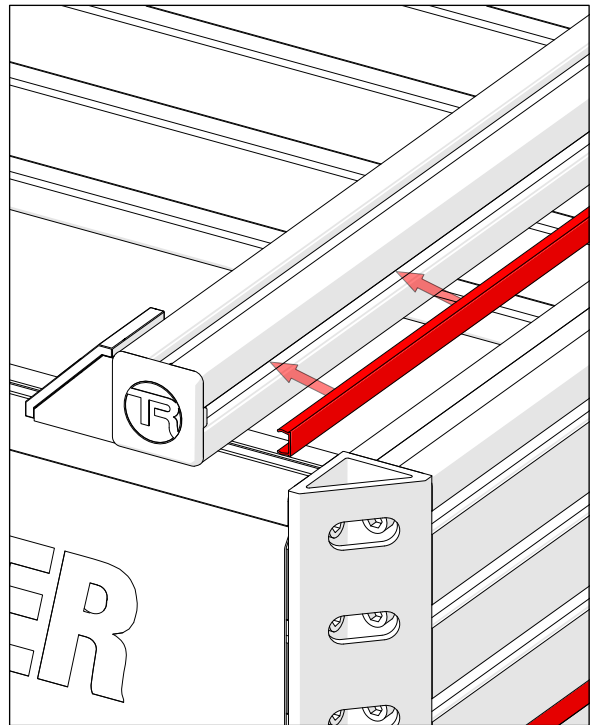
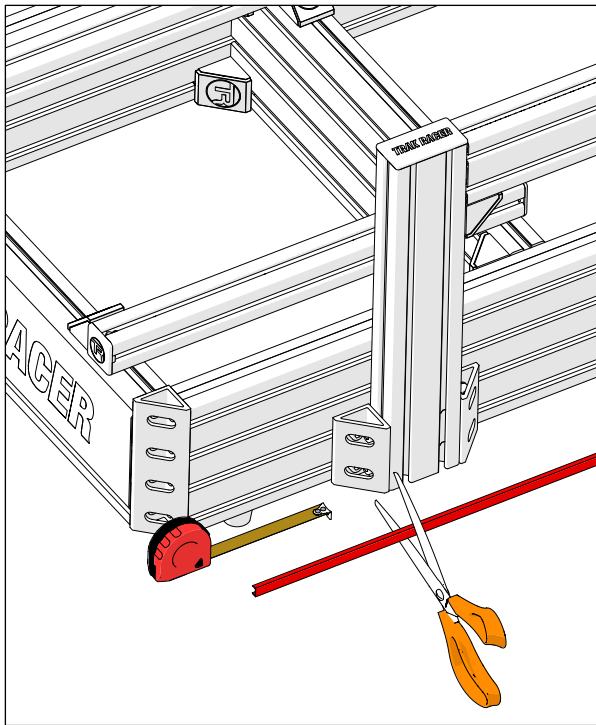
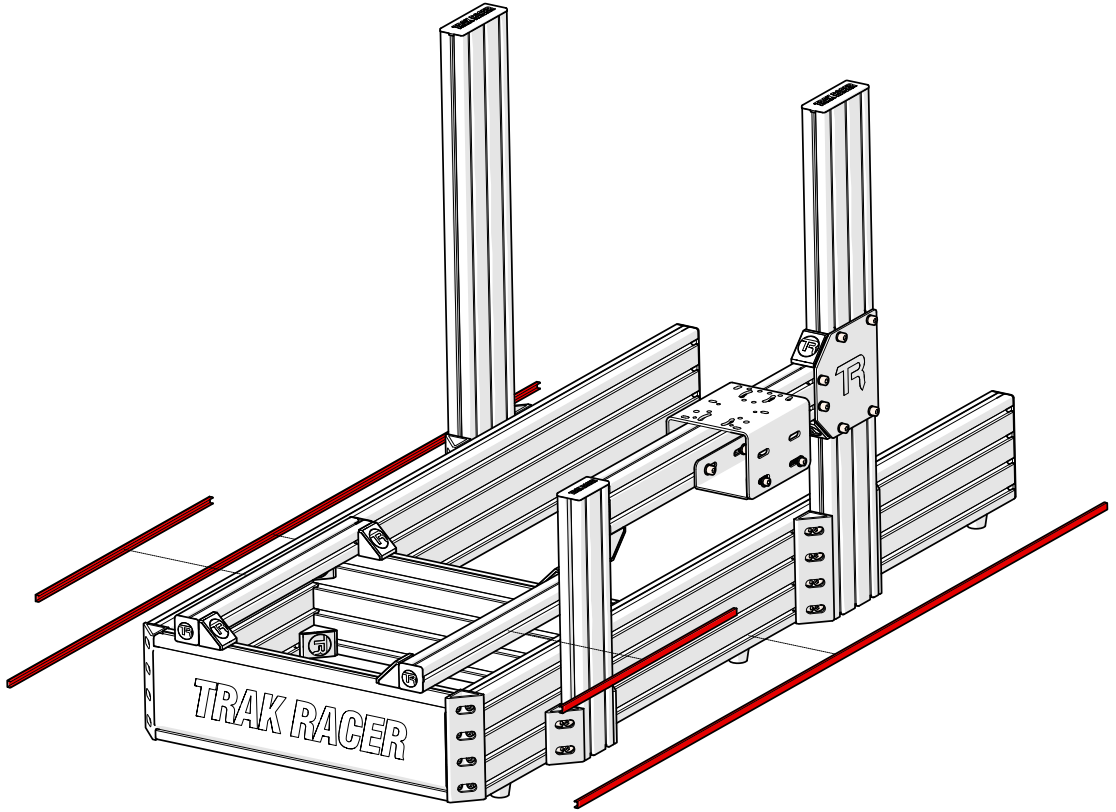
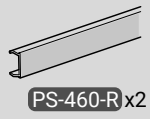
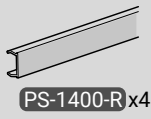


EC-160 x2

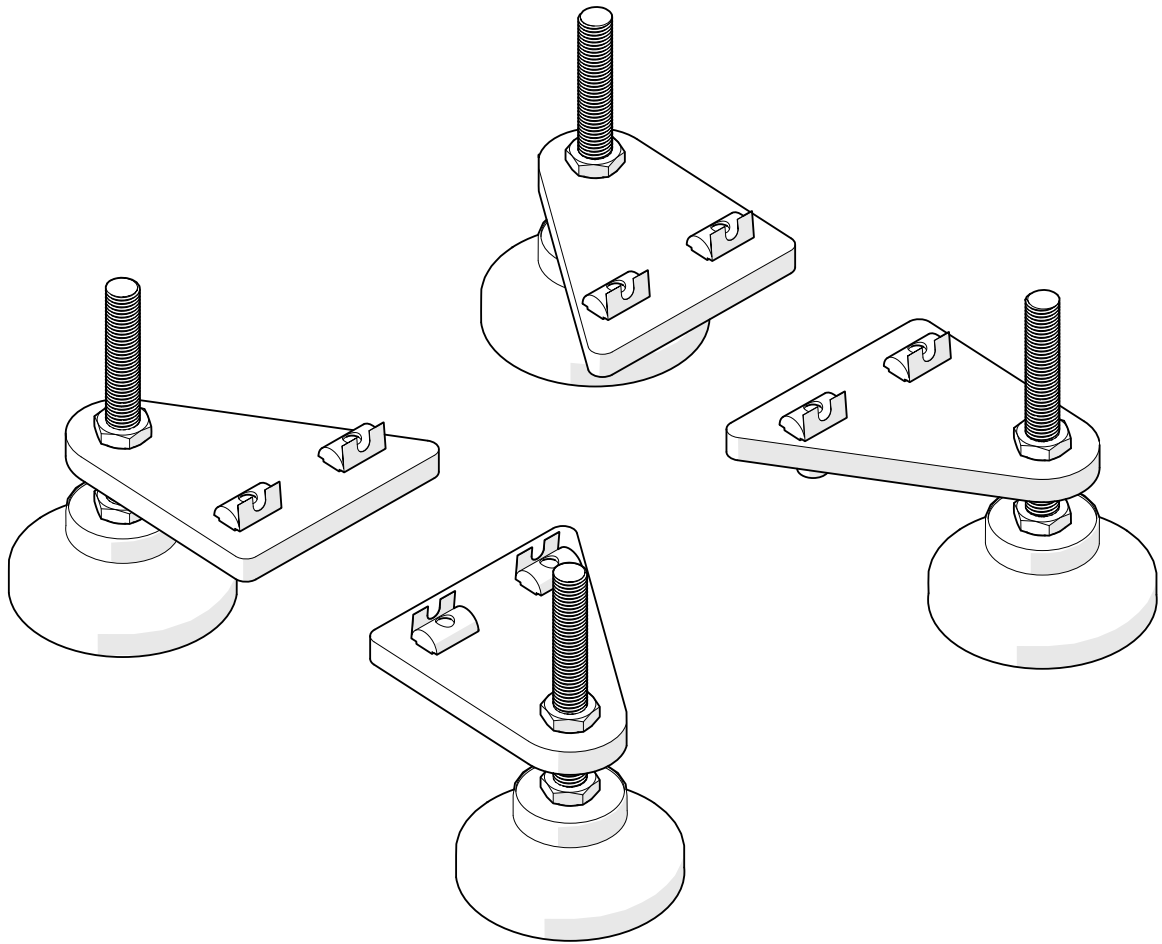
Note: End caps should be installed after all accessories are mounted



11



Stabilizing Feet Option



Part #	Description	QTY	Check
BOX #: TR80-TR160FEET			
SH-M8-25	Screw (Hex), M8x25	8	
WF-M8	Washer (Flat), M8	8	
WL-M8	Washer (Lock), M8	8	
NS-M8	T-Nut (Spring), M8	8	
BF-01	Bracket, Feet Adjustable	4	
FA-01	Feet, Adjustable	4	

* **NOTE:** Extra hardware may be included as spare parts

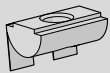
TR80-TR160FEET



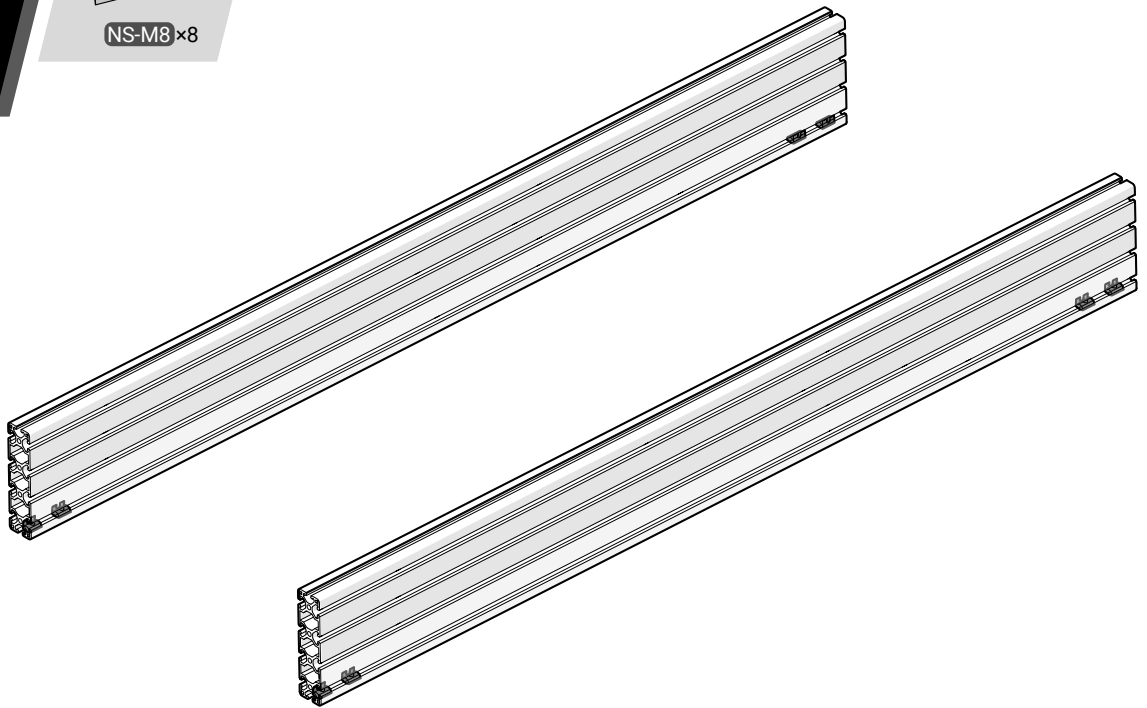
TRAK RACER

Published 2022-07-11

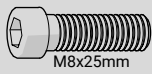
1



NS-M8 x8



2



M8x25mm

SH-M8-25 x8



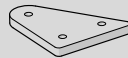
WF-M8 x8



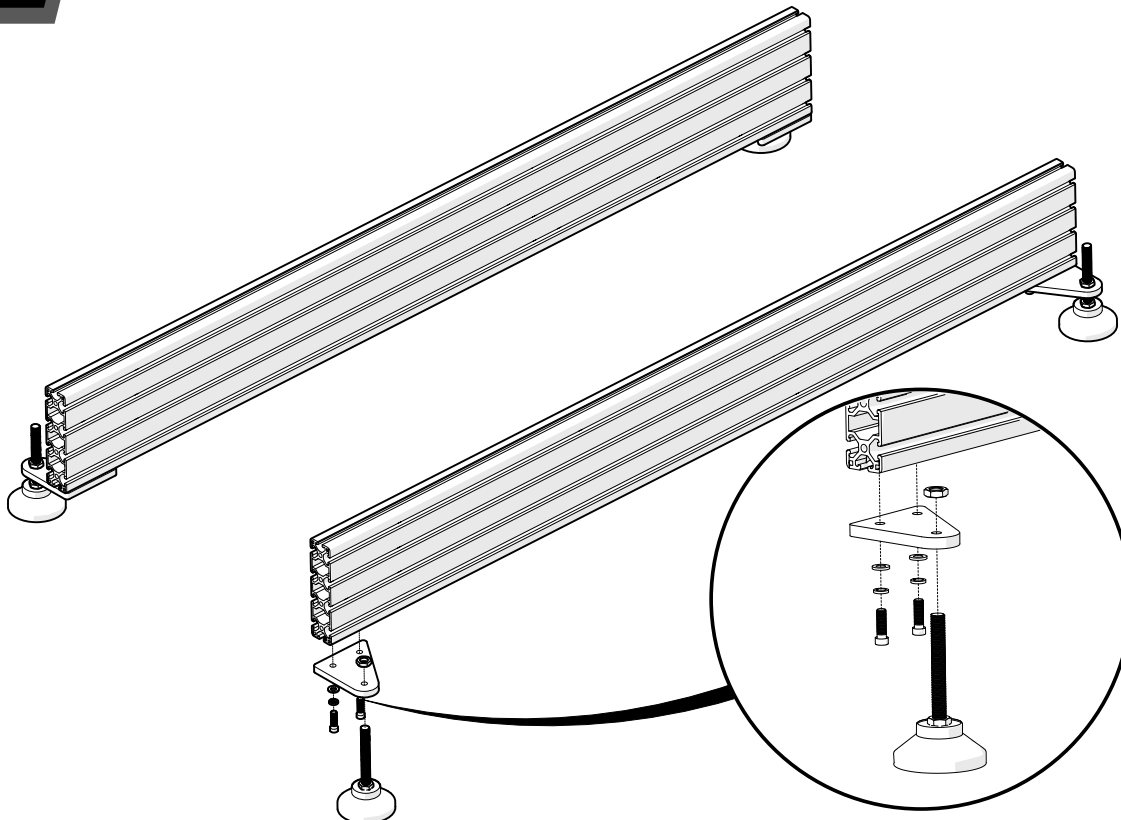
WL-M8 x8



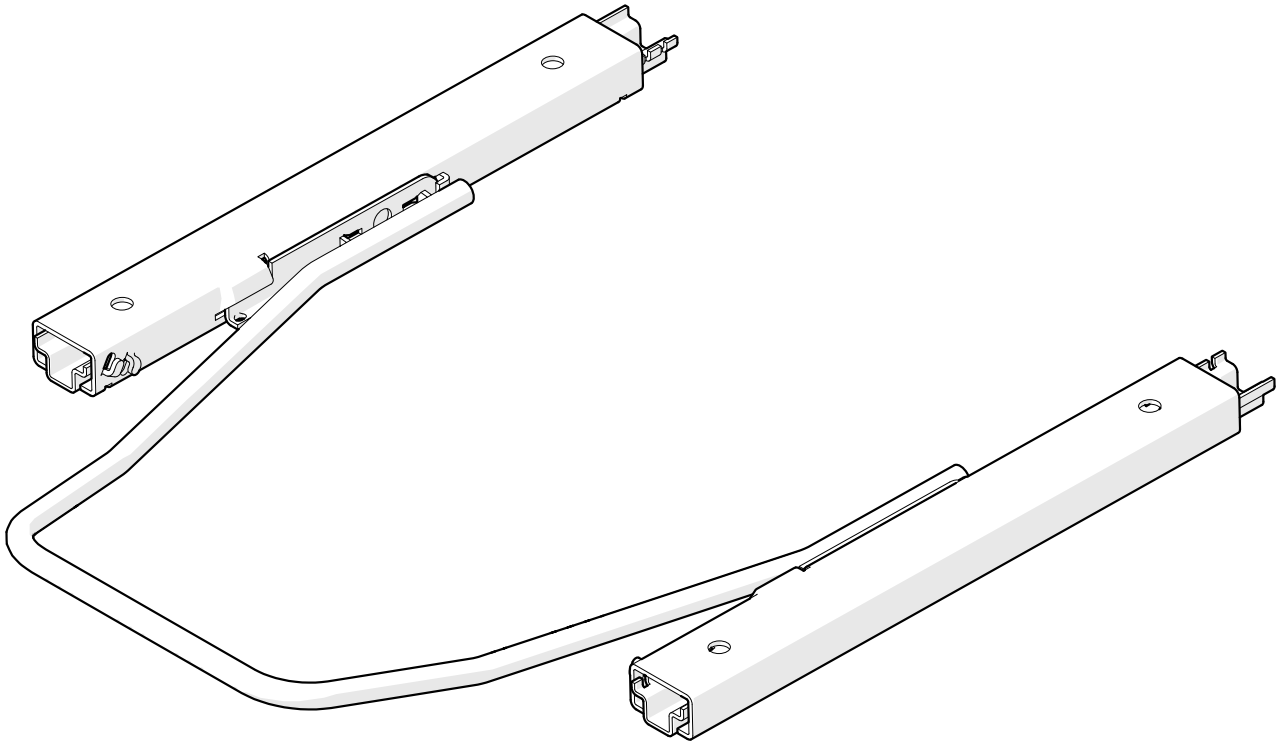
FA-01 x4



BF-01 x4



Seat Slider Assembly



Part #	Description	QTY	Check
BOX #: TR1604-BLK-PART3			
SS-01	Seat Slider	1	
SH-M8-16	Screw (Hex), M8x16	4	
NL-M8	Nut (Locking), M8	4	
WF-M8	Washer (Flat), M8	4	
WL-M8	Washer (Lock), M8	4	

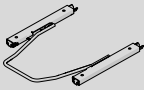
TR80-SLIDER



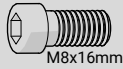
TRAK RACER

Published 2022-07-11

1



SS-01 x1

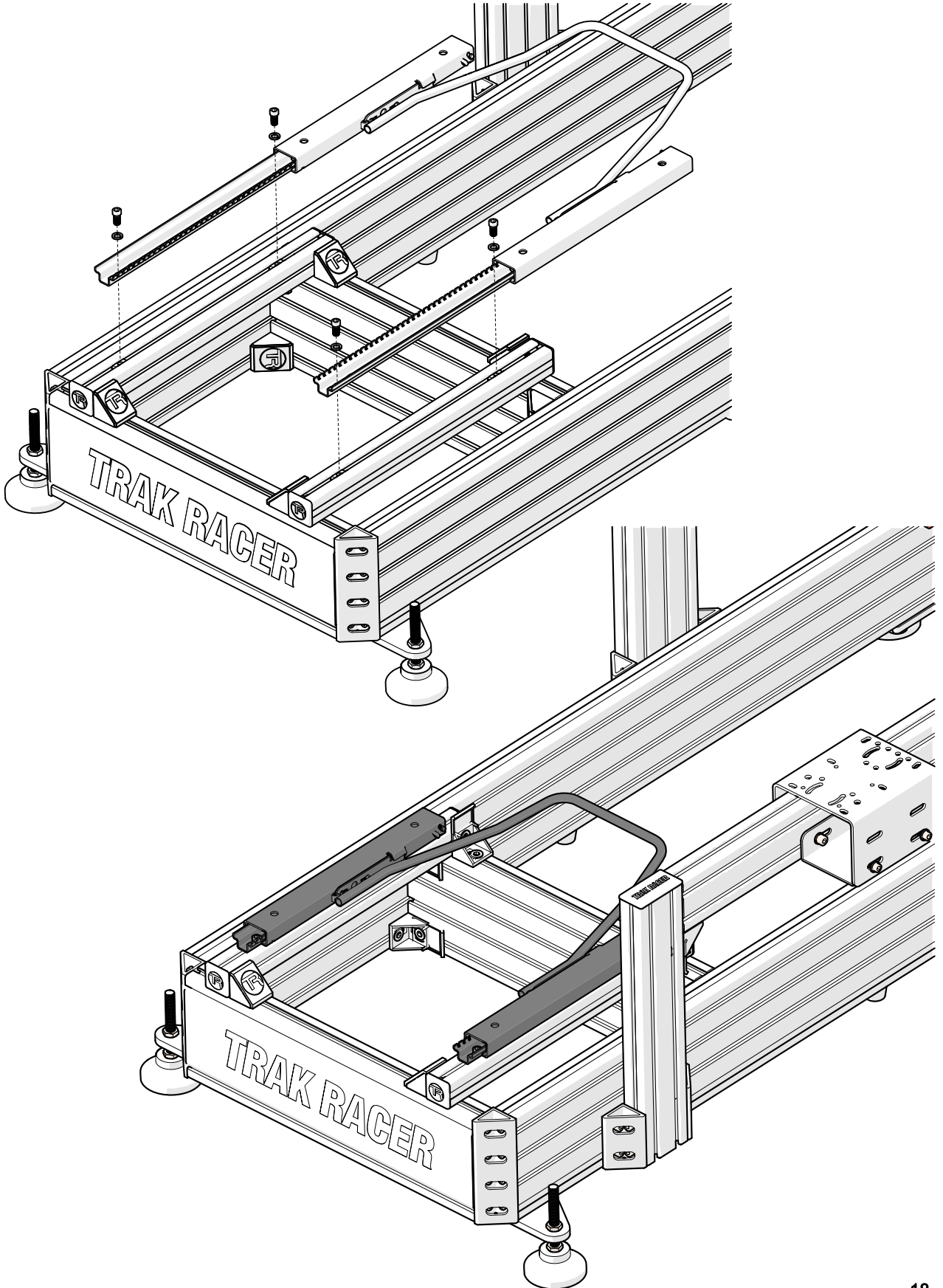


SH-M8-16 x4

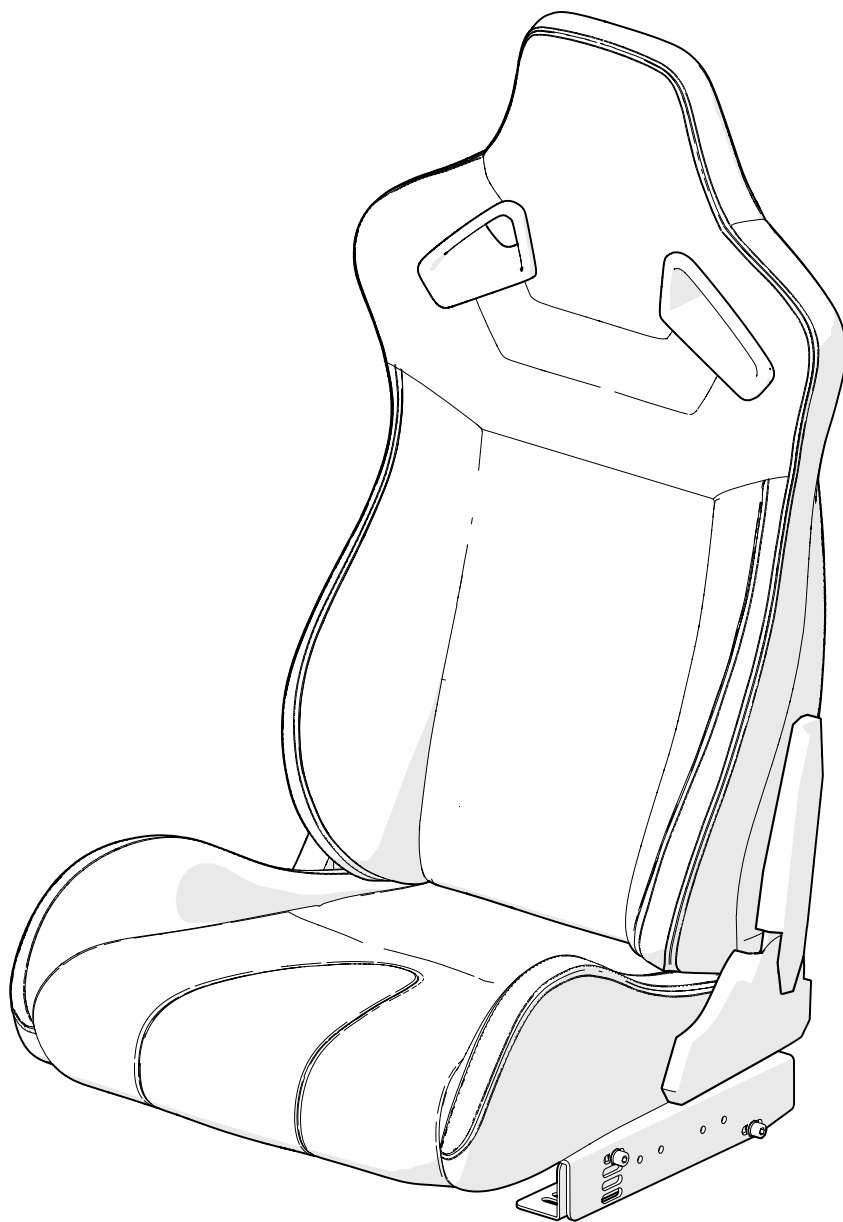


WL-M8 x4

NOTE: Use NS-M8 that were pre-installed during STEP 4 of rig assembly.

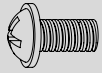


Recliner Seat Assembly



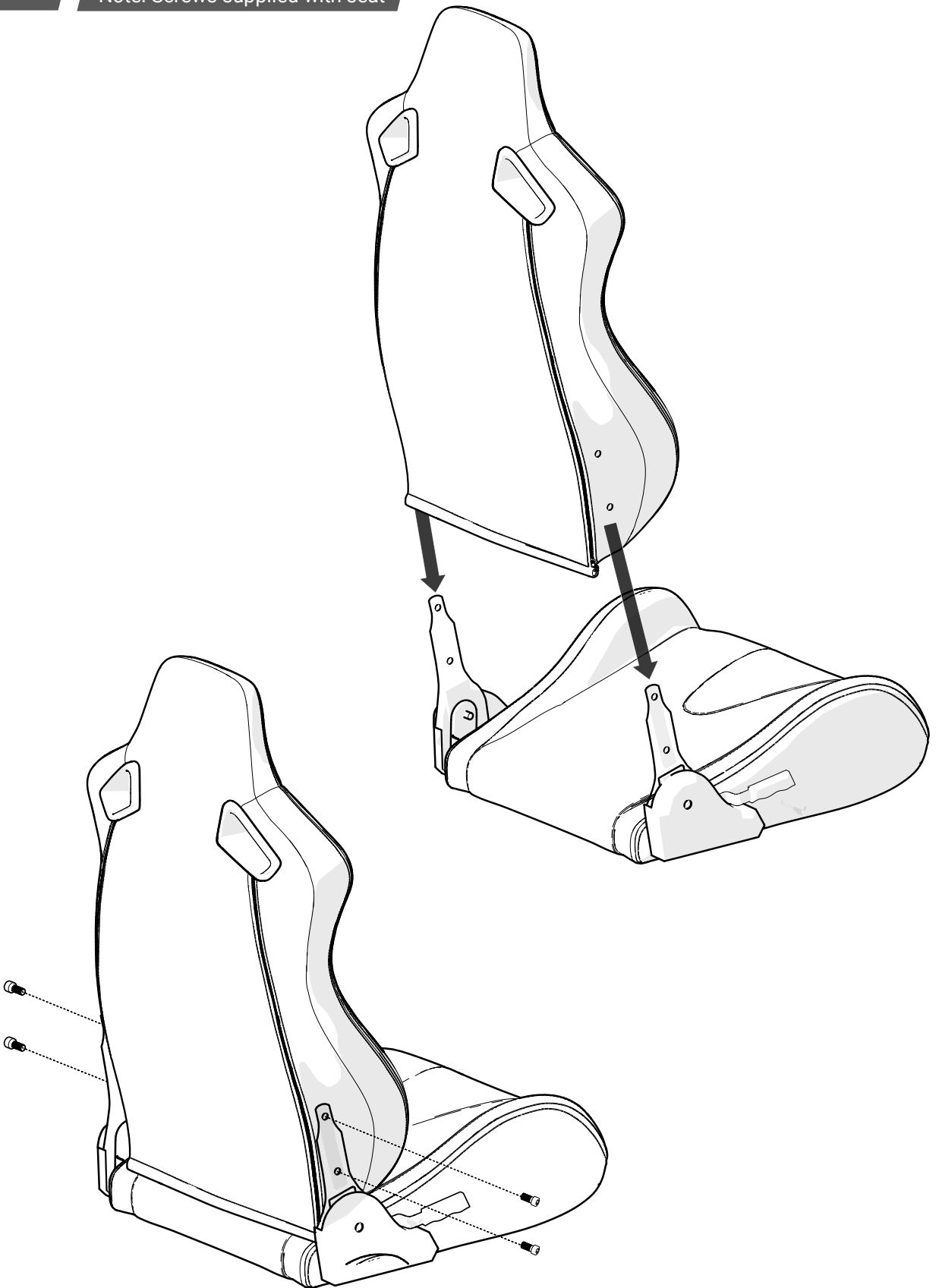
SA-06/SA-07/SA-08

1

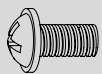


x4

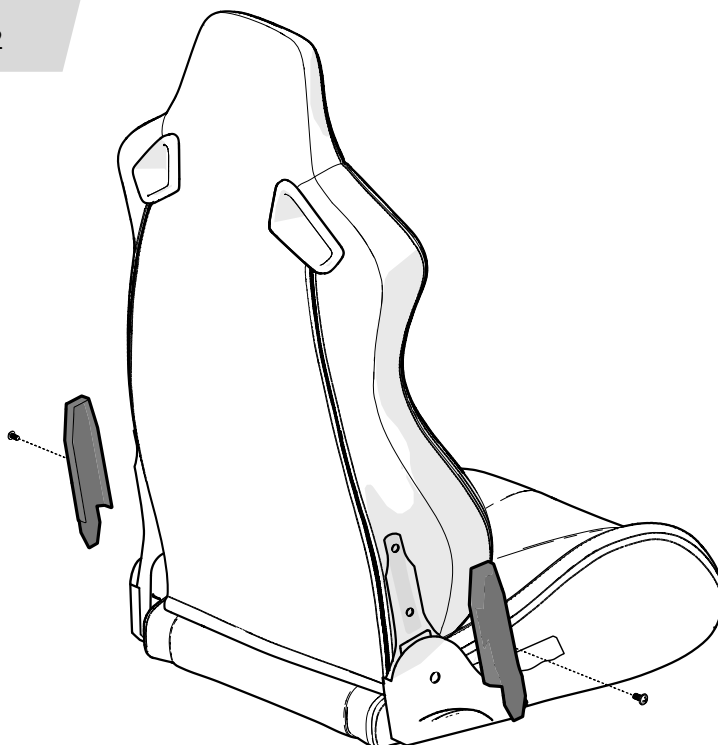
Note: Screws supplied with seat



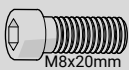
2



x2



3

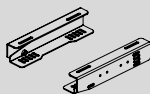


M8x20mm

SH-M8-20x8

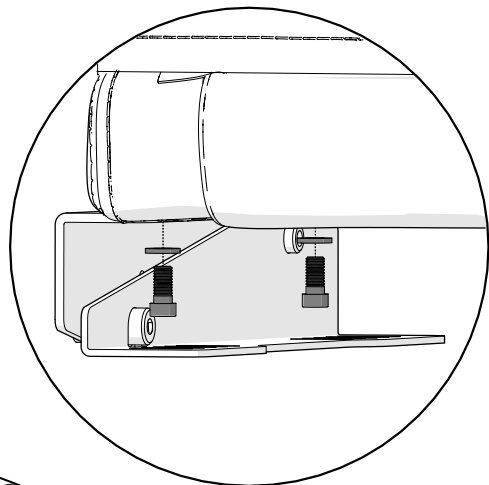
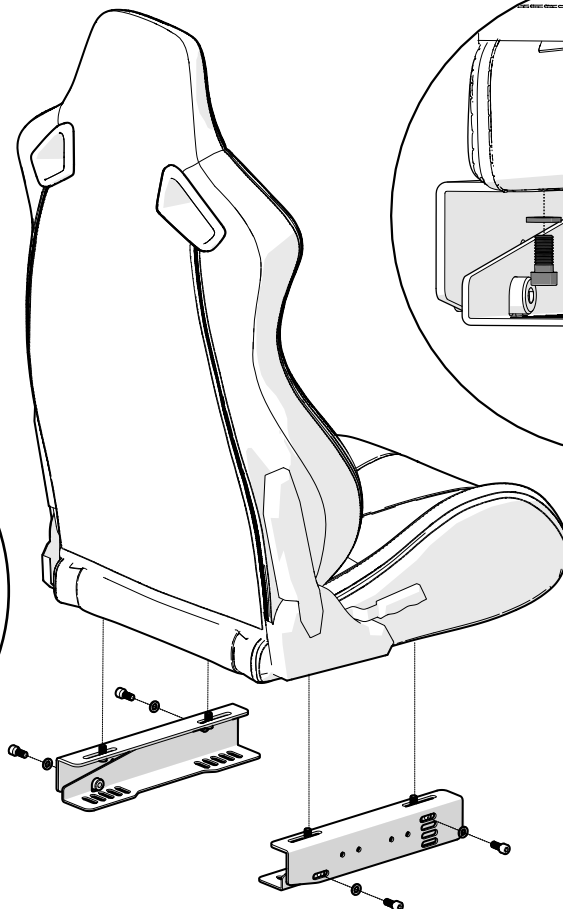
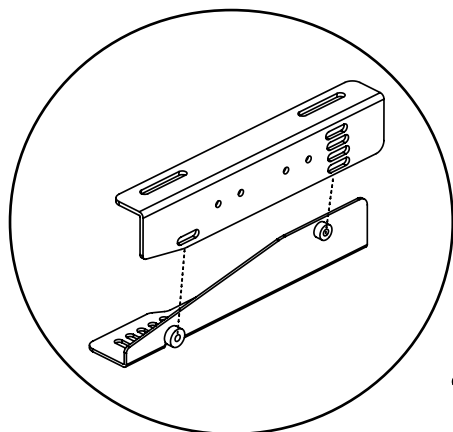


WF-M8x8

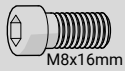


BS-03x16

Note: Screws supplied with seat & TR-RSB



4



M8x16mm

SH-M8-16x4



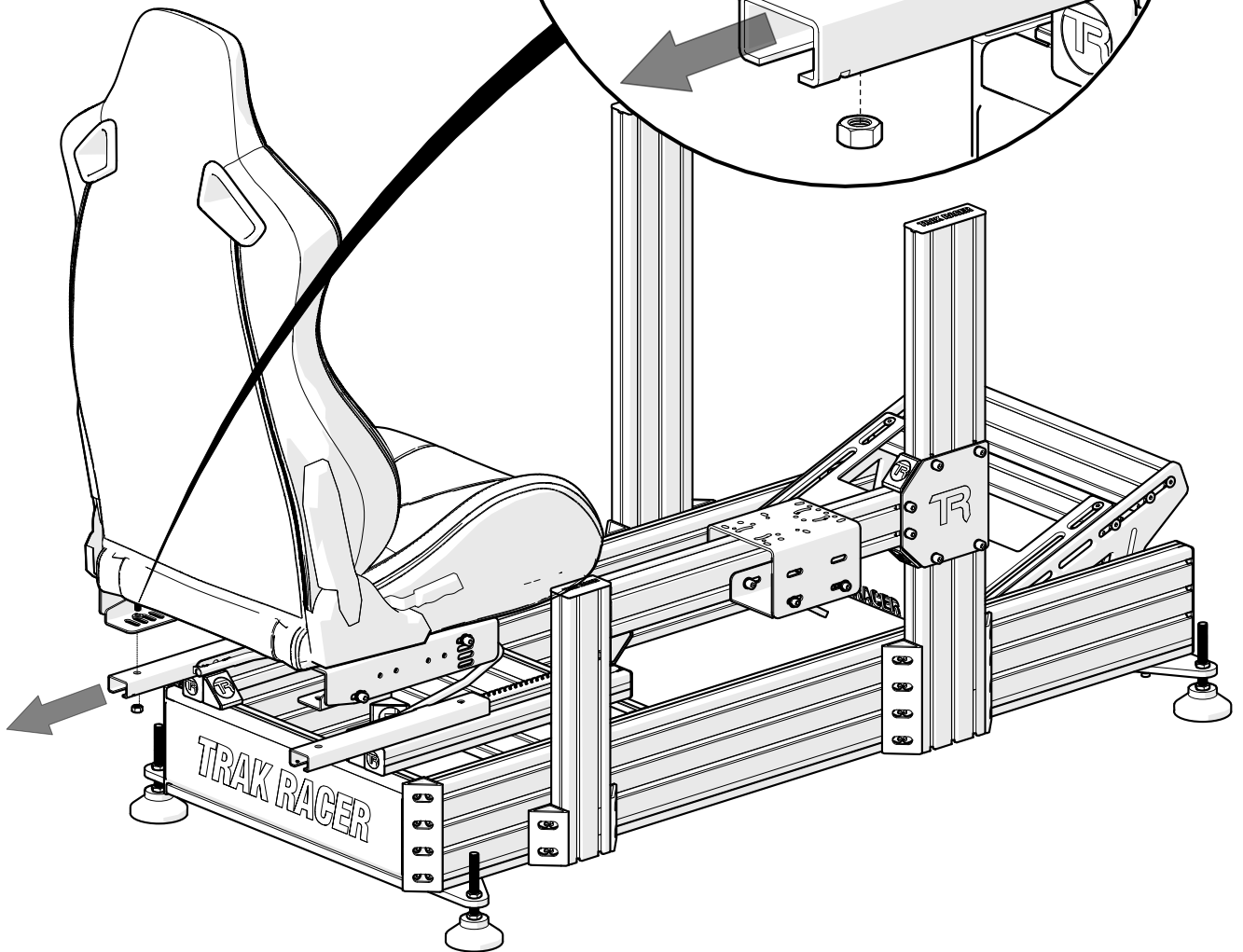
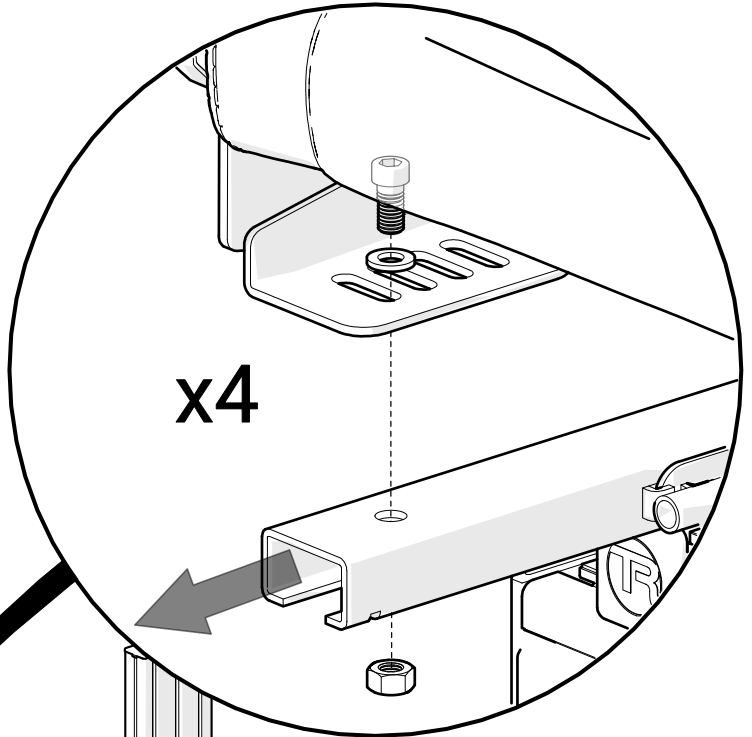
WF-M8x4



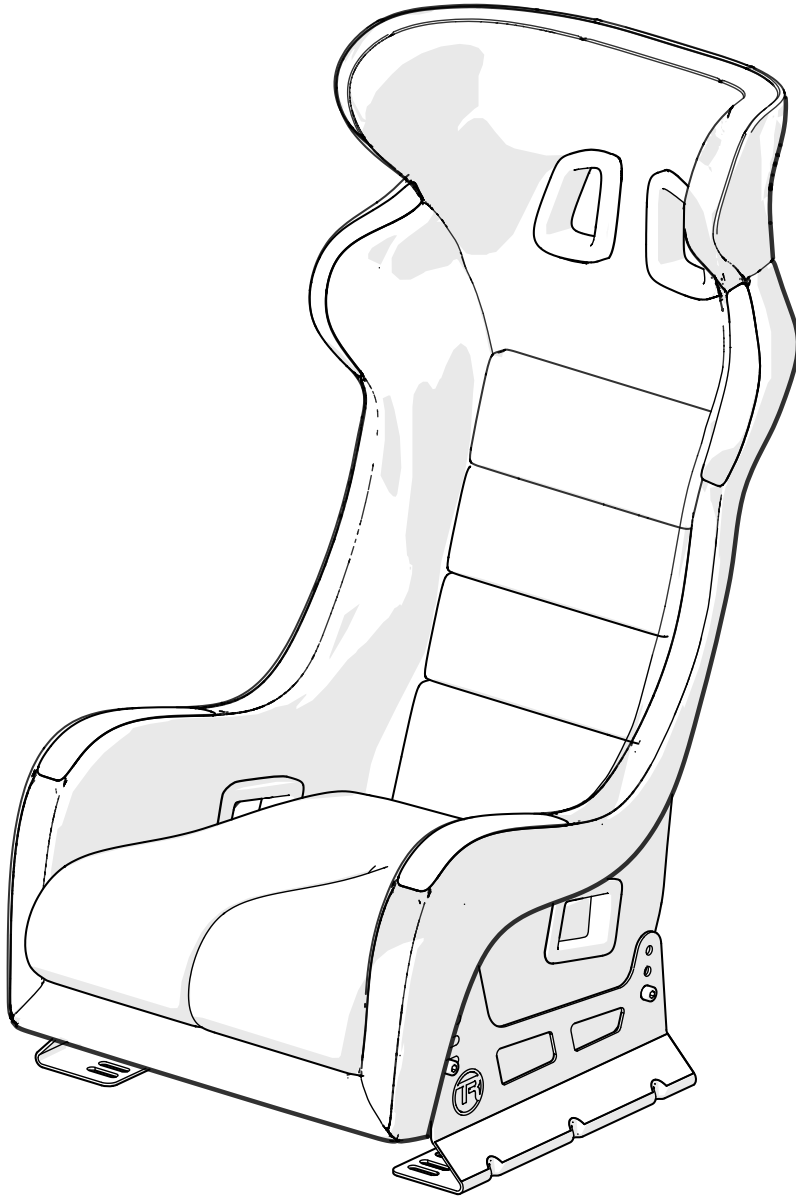
NL-M8x4

Note: Screws supplied with seat & TR-RSB

Slide the slider all the way back to install screws and nuts. Then slide all the way forward and repeat for front screws and nuts.



GT/Rally Seat Assembly



SA-04/SA-05/SA-09/SA-10

1



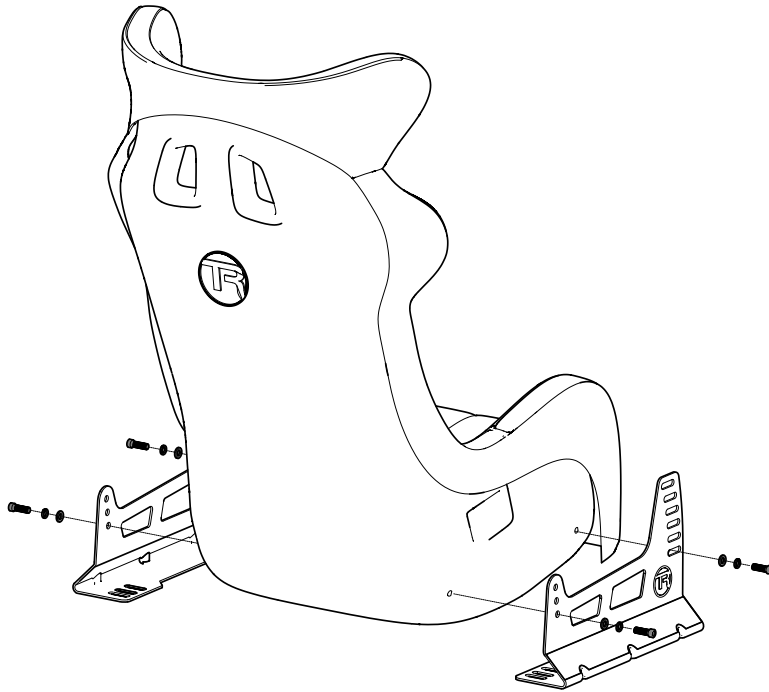
SH-M8-20 x4



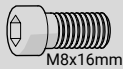
WF-M8 x4



WL-M8 x4



2



SH-M8-16 x4

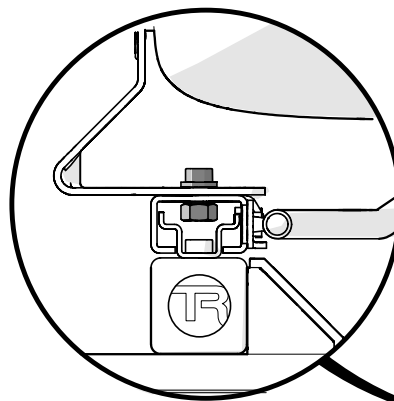
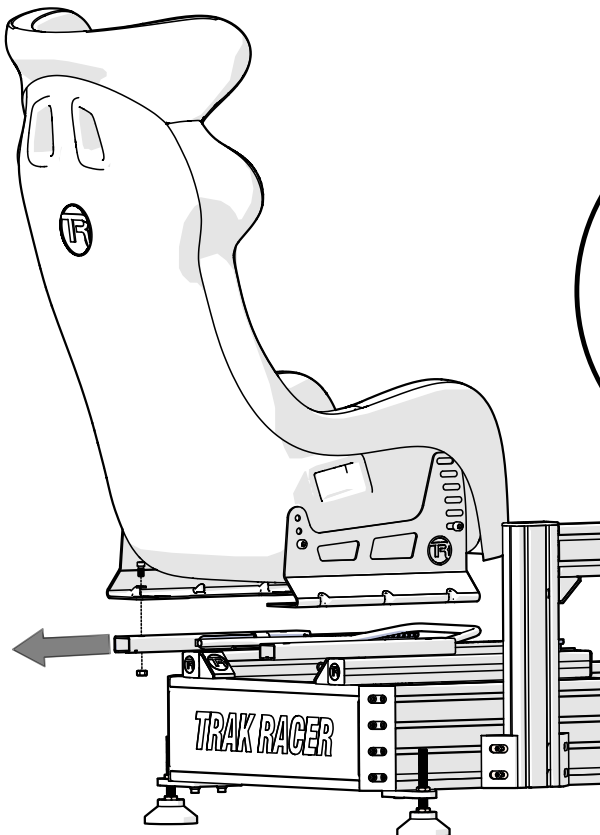


WF-M8 x4

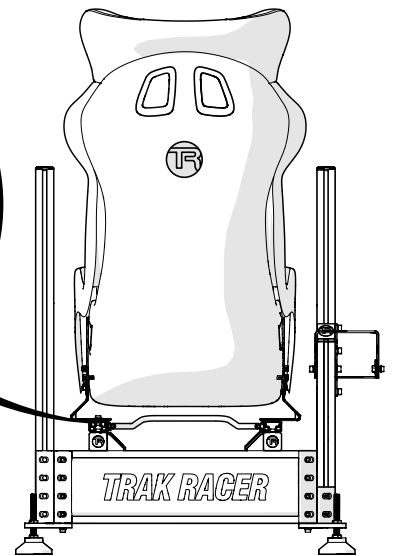


NL-M8 x4

Note: Screws supplied with seat & TR-RSB



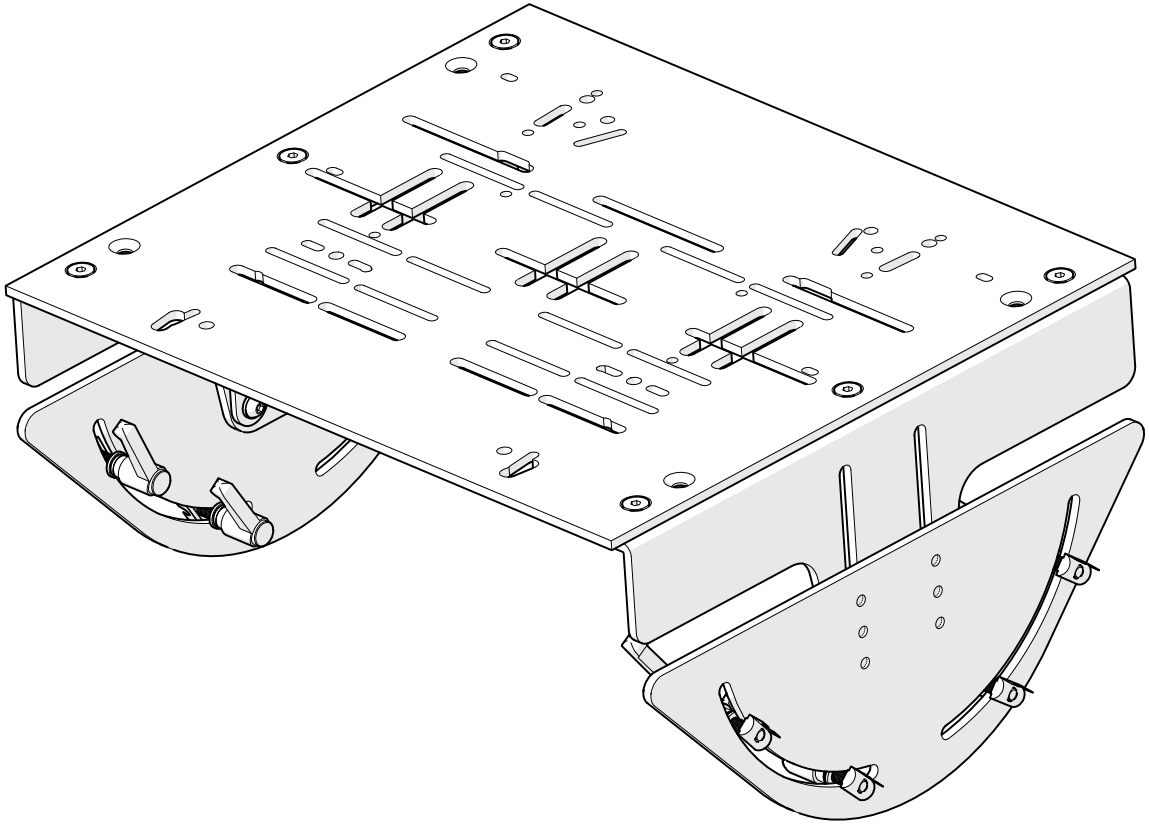
x4



Slide the slider all the way back to install screws and nuts. Then slide all the way forward and repeat for front screws and nuts.



Pedal Option 1



NOTE: Hardware to attach pedals to plate not included. Please use hardware included with your pedal set.

Part #	Description	QTY	Check
BOX #: TR160-PEDALUP3			
SB-M8-16	Screw (Button), M4x16	12	
SL-M8-20	Screw (Handle) M8x20	8	
SF-M8-25	Screw (Flat), M8x25	6	
NS-M8	T-Nut (Spring), M8	8	
NF-M8	Nut (Flange), M8	6	
WF-M8	Washer (Flat), M8	20	
WL-M8	Washer (Lock), M8	8	
WP-M8	Wash (Pedal Plate), M8	4	
PP-80-TP	Pedal Plate, TR80 Top Plate	1	
PP-160-SM	Pedal Plate, TR160 Side Mount	2	
PP-160-FM	Pedal Plate, TR160 Face Mount	2	

* NOTE: Extra hardware may be included as spare parts

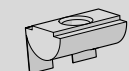
TR160-PEDALUP3



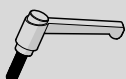
TRAK RACER

Published 2022-07-11

1



NS-M8 x8



SL-M8-20 x8



WL-M8 x8

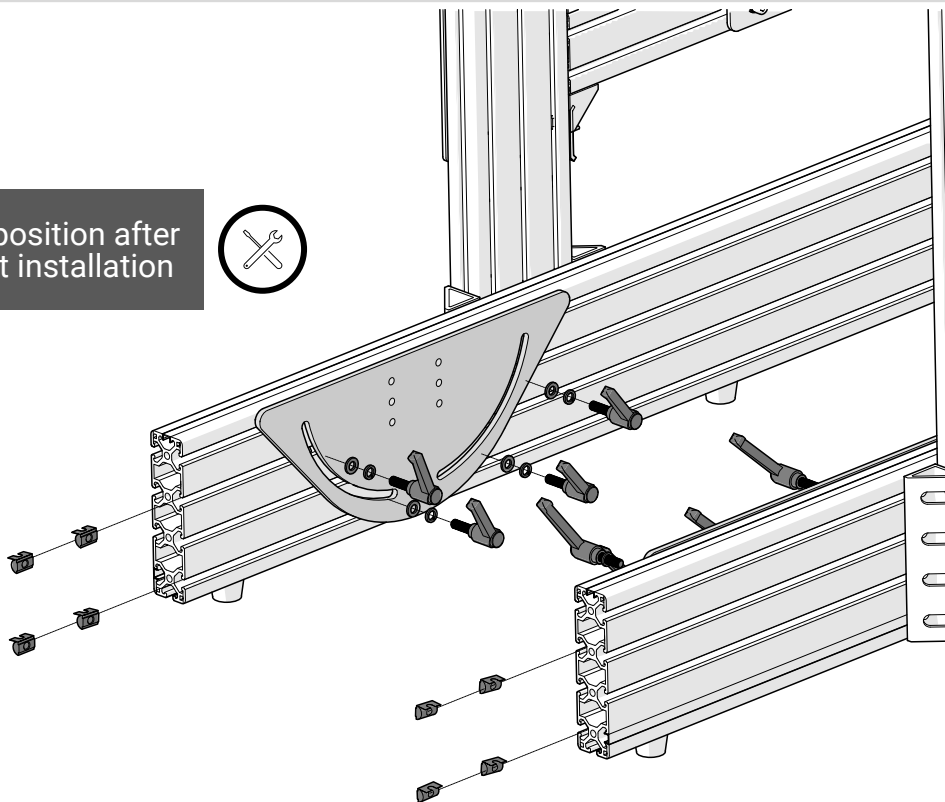


WF-M8 x8

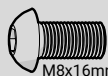


PP-160-SM x2

NOTE: Adjust position after pedal and seat installation



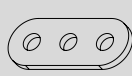
2



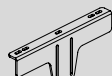
SB-M8-16 x12



WF-M8 x12

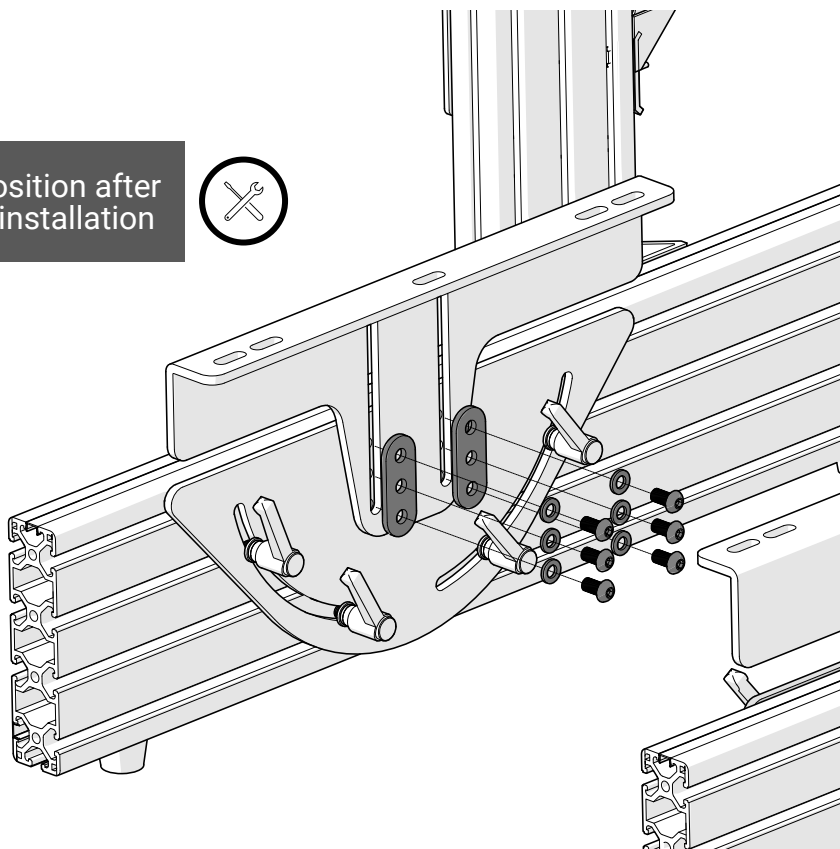


WP-M8 x4

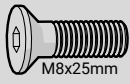


PP-160-FM x2

NOTE: Adjust position after pedal and seat installation



3



M8x25mm

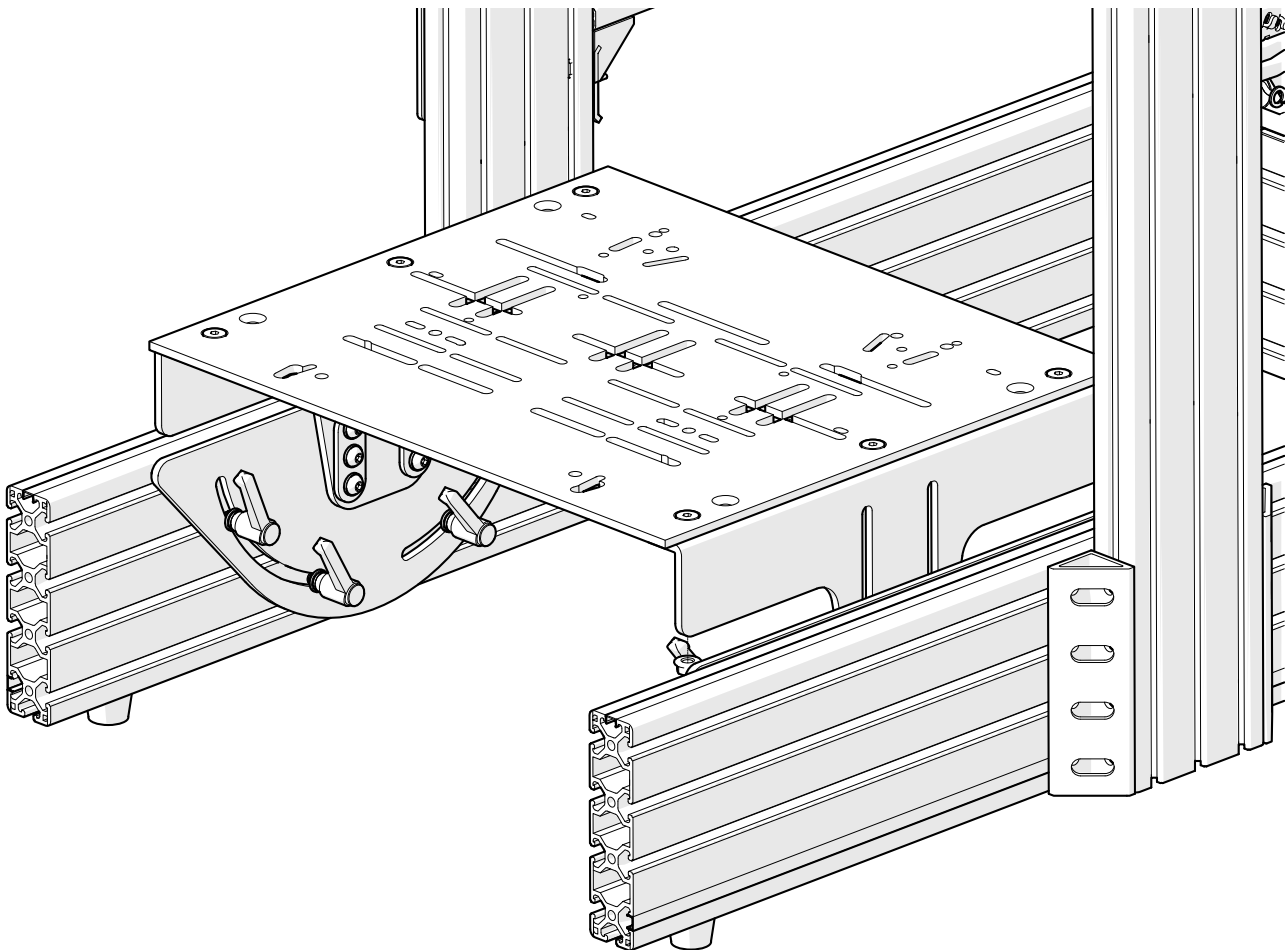
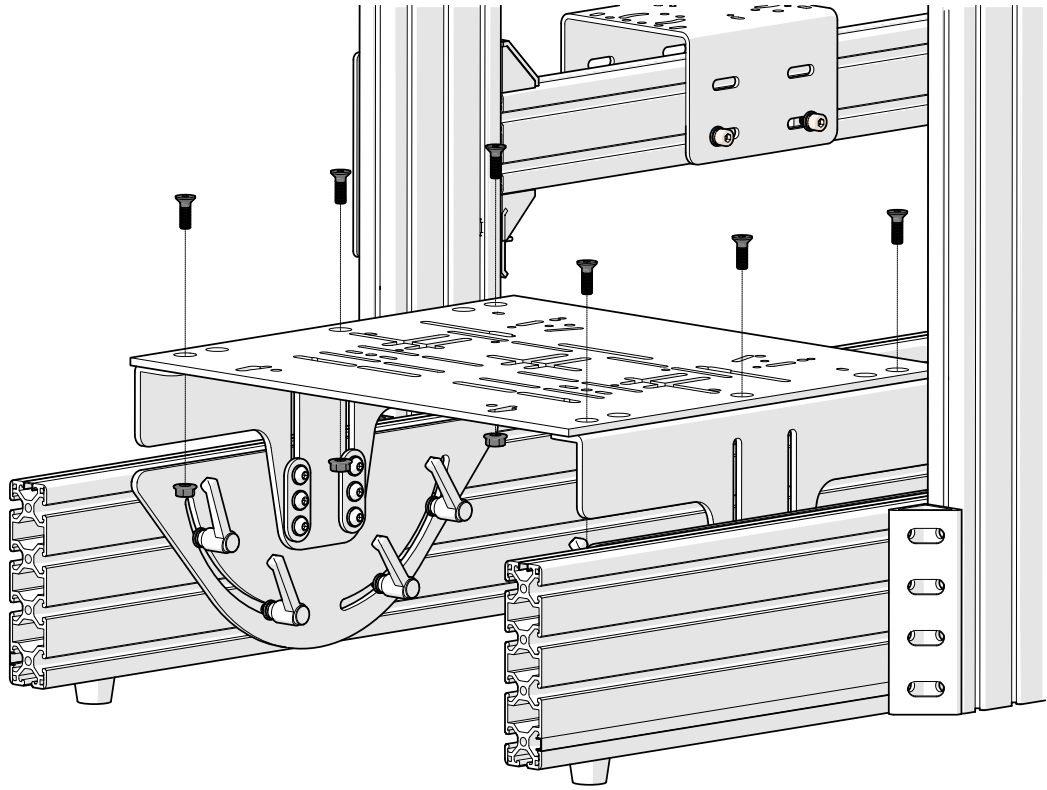
SF-M8-25 x6



NF-M8 x6

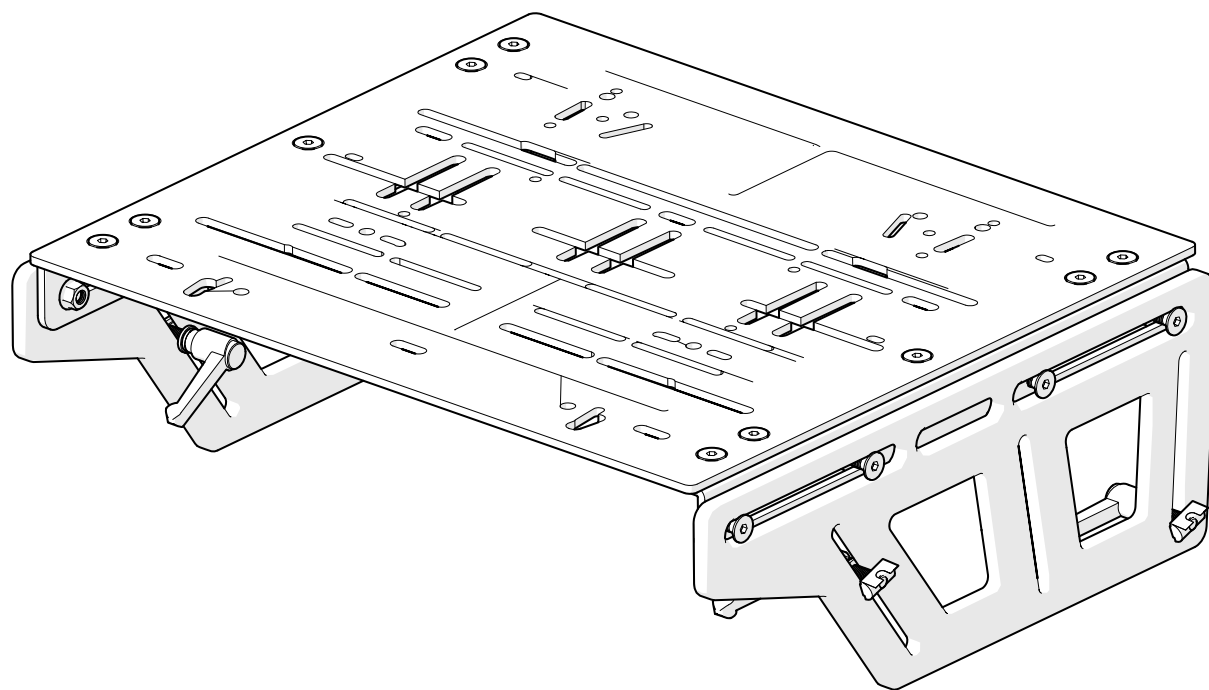


PP-80-TP x1



Pedal Option 2

TR80-PBPL



NOTE: Hardware to attach pedals to plate not included. Please use hardware included with your pedal set.

Part #	Description	QTY	Check
BOX #: TR80-NEWPB			
SF-M8-20	Screw (Flat), M8x20	8	
SL-M8-25	Screw (Handle) M8x25	4	
WF-M8	Washer (Flat), M8	4	
WL-M8	Washer (Lock), M8	4	
NS-M8	T-Nut (Spring), M8	4	
PP-NP-PB	New Pedal Plate, Pedal Bracket	2	
BOX #: TR80-NEWPLATE			
PP-80-TP	Pedal Plate, TR80 Top Plate	1	
PP-NP-LB	Pedal Plate, L Bracket	2	
SF-M8-20	Screw (Flat), M8x20	10	
NF-M8	Nut (Flange), M8	18	

* NOTE: Extra hardware may be included as spare parts

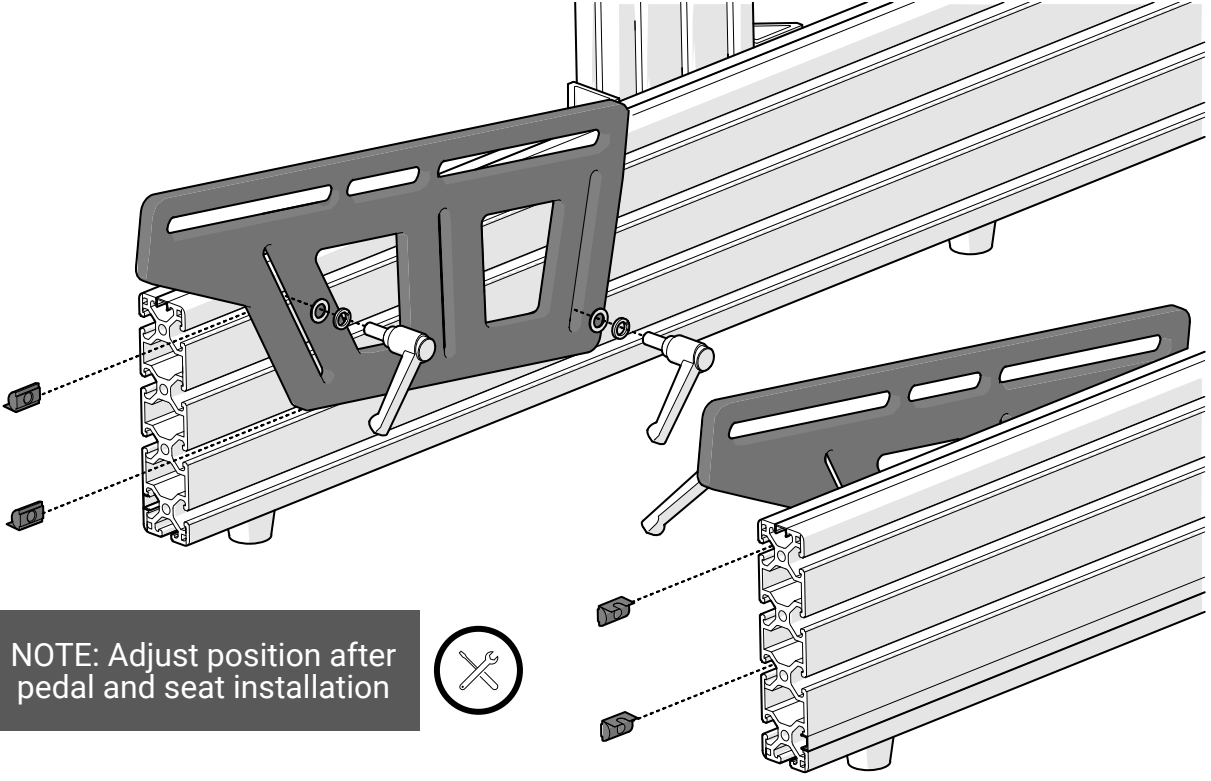
TR80-NEWPB + TR80-NEWPLATE



TRAK RACER
Published 2022-07-11

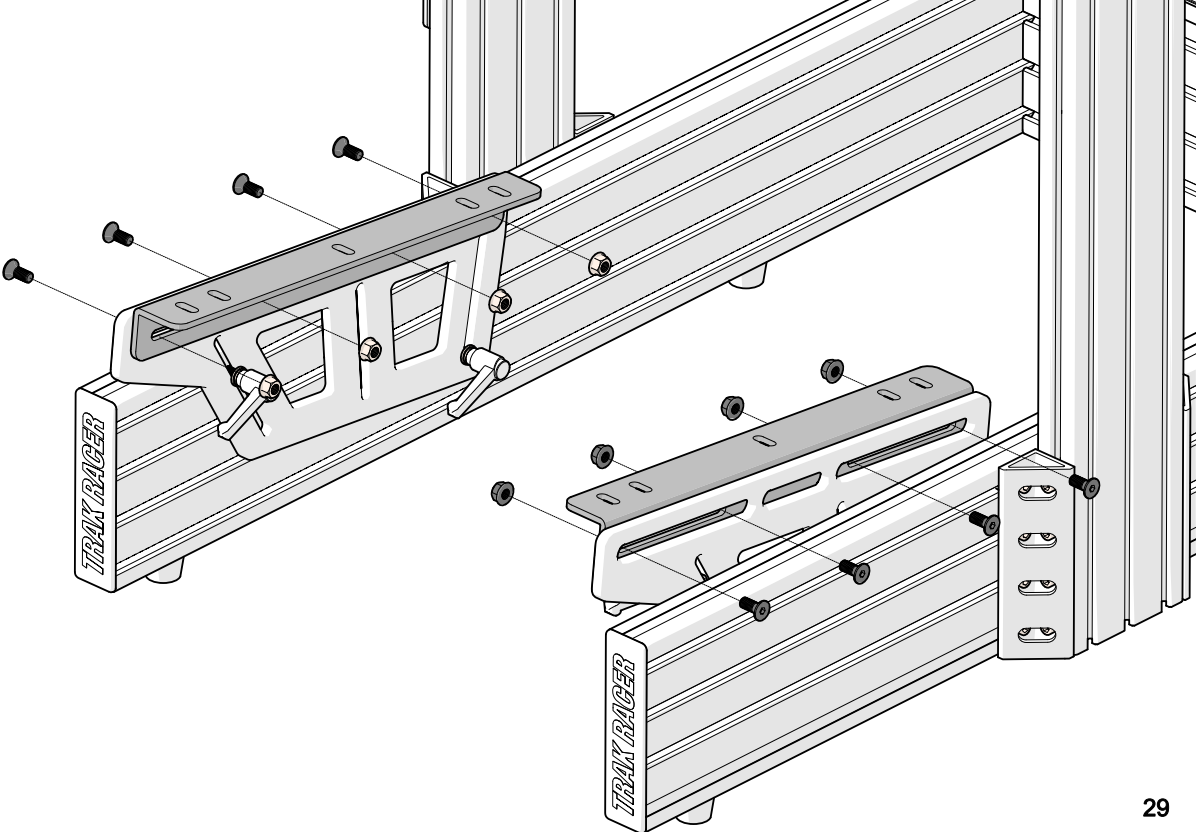
1

-  NS-M8 x4
-  SL-M8-20 x4
-  WF-M8 x4
-  WL-M8 x4
-  PP-NP-PB x2

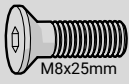


2

-  SF-M8-20 x8
-  NF-M8 x8
-  PP-NP-LB x2



3



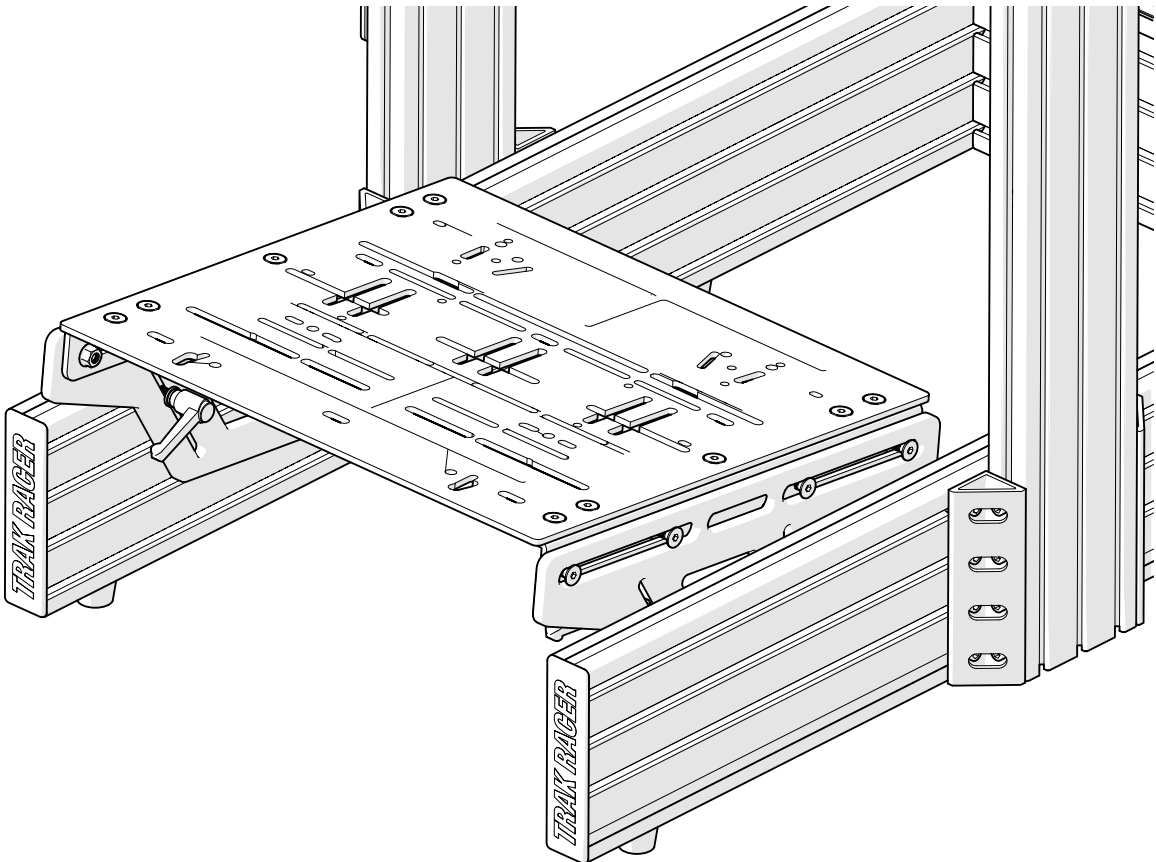
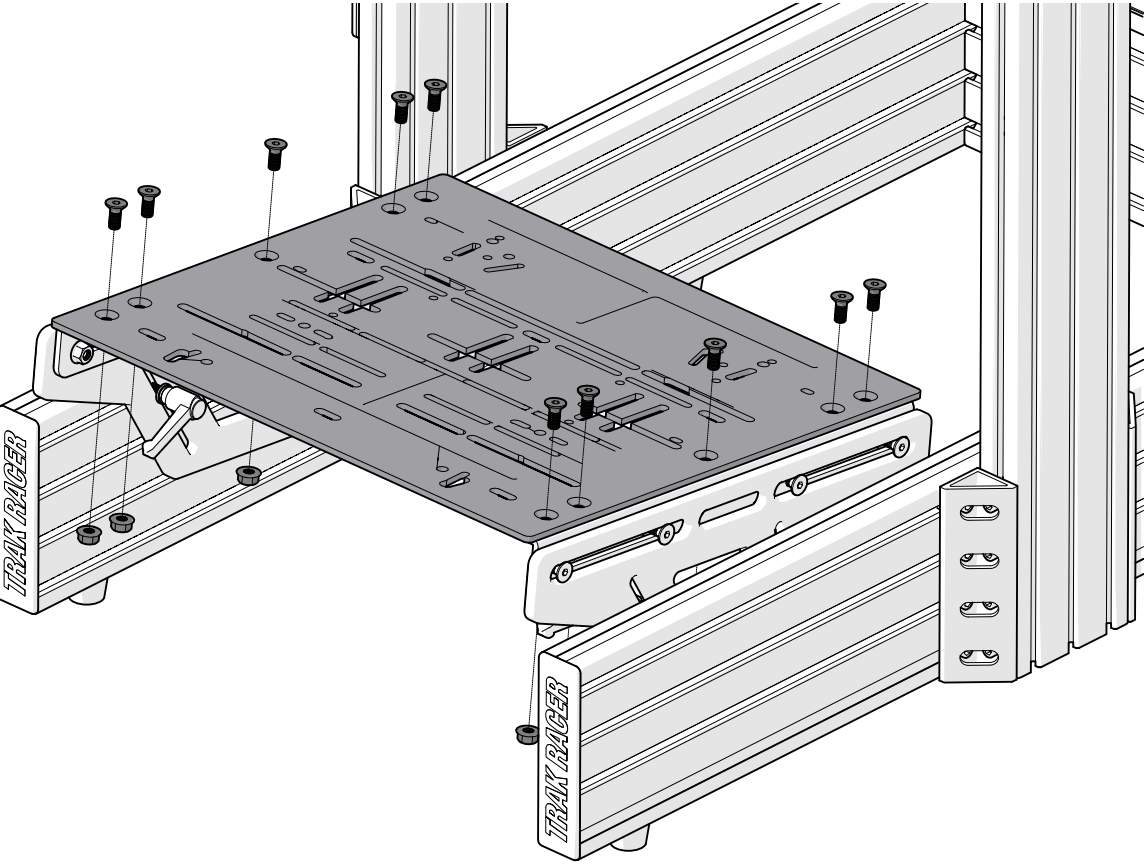
M8x25mm



NF-M8 x10

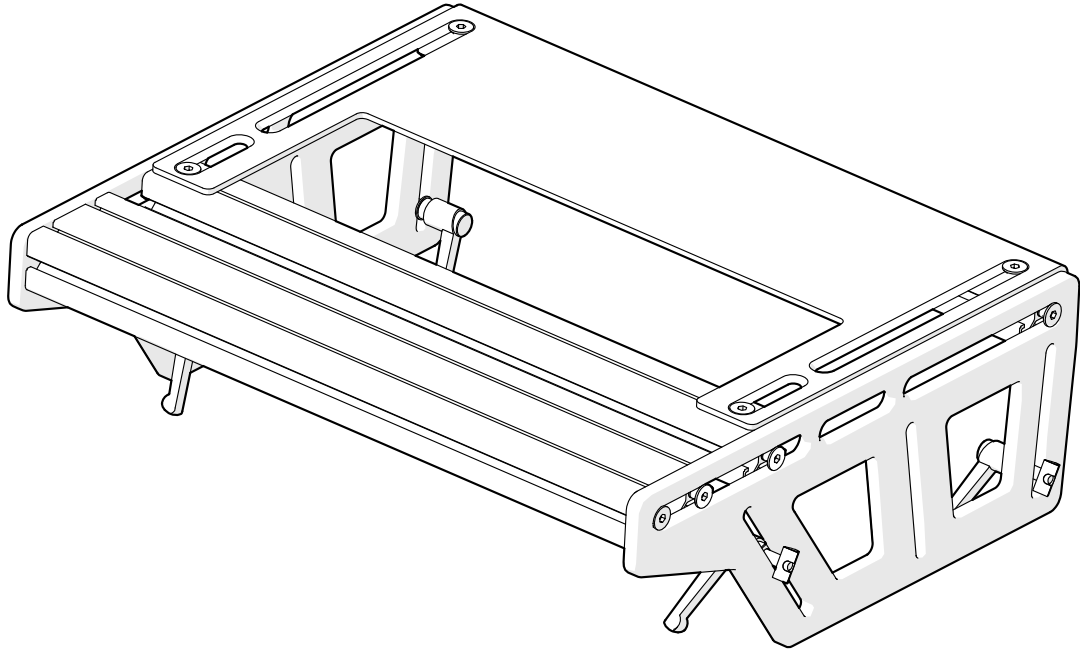


PP-80-TP x1



Pedal Option 3

TR80-PBAL



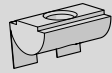
NOTE: Hardware to attach pedals to plate not included. Please use hardware included with your pedal set.

Part #	Description	QTY	Check
BOX #: TR80-NEWPB			
SF-M8-20	Screw (Flat), M8x20	8	
SL-M8-25	Screw (Handle) M8x25	4	
WF-M8	Washer (Flat), M8	4	
WL-M8	Washer (Lock), M8	4	
NS-M8	T-Nut (Spring), M8	4	
PP-NP-PB	New Pedal Plate, Pedal Bracket	2	
BOX #: TR80-NEWAL			
PP-HR-AL	Pedal Plate, Aluminum Heel Rest	1	
SF-M8-20	Screw (Flat), M8x20	8	
SF-M8-16	Screw (Flat), M8x16	8	
SH-M6-16	Screw (Hex), M6x16	12	
NS-M8	T-Nut (Spring), M8	8	
NS-M6	T-Nut (Spring), M6	12	
AT-40-480	Aluminum Profile (Threaded), 40x40x480mm	2	
AT-80-480	Aluminum Profile (Threaded), 40x80x480mm	1	
WF-M6	Washer (Flat), M6	12	
WL-M6	Washer (Lock), M6	12	

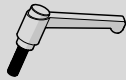
* NOTE: Extra hardware may be included as spare parts

TR80-NEWPB + TR80-NEWAL

1



NS-M8 x4



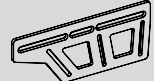
SL-M8-20 x4



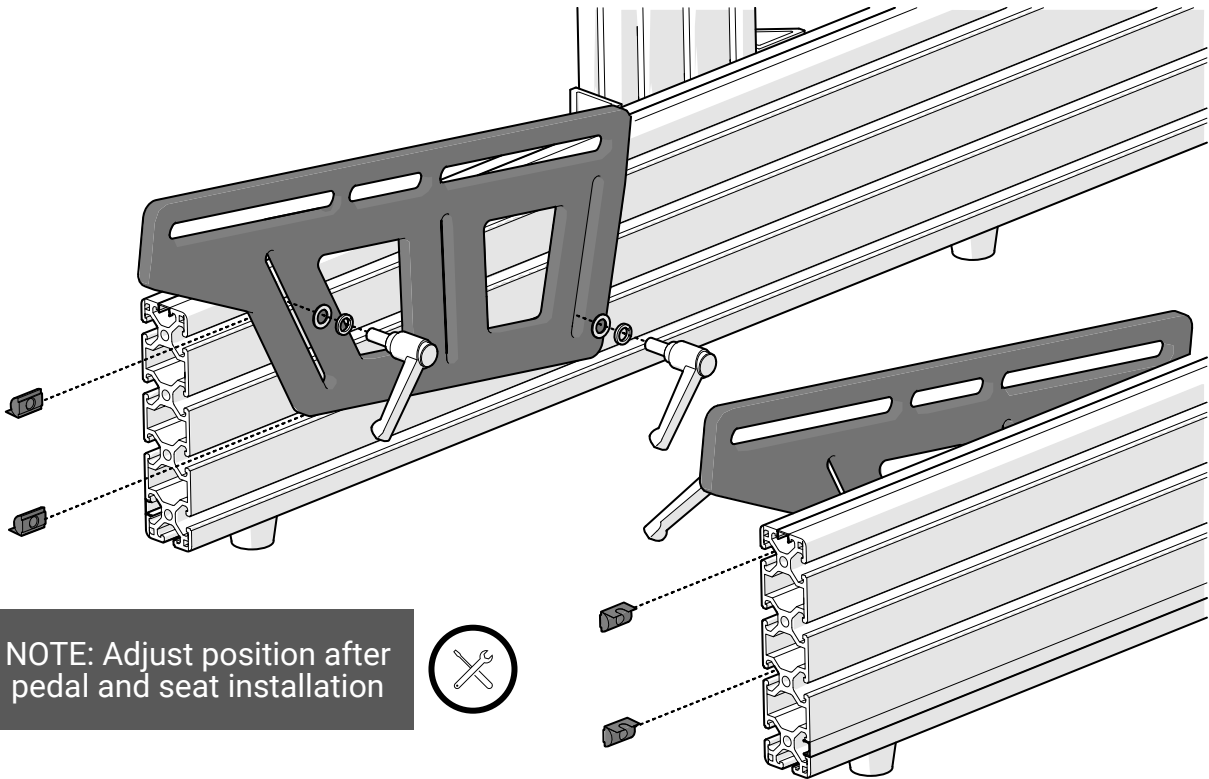
WF-M8 x4



WL-M8 x4



PP-NP-PB x2



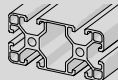
NOTE: Adjust position after
pedal and seat installation



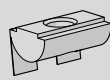
2



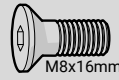
AT-40-480 x2



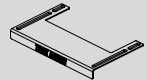
AT-80-480 x1



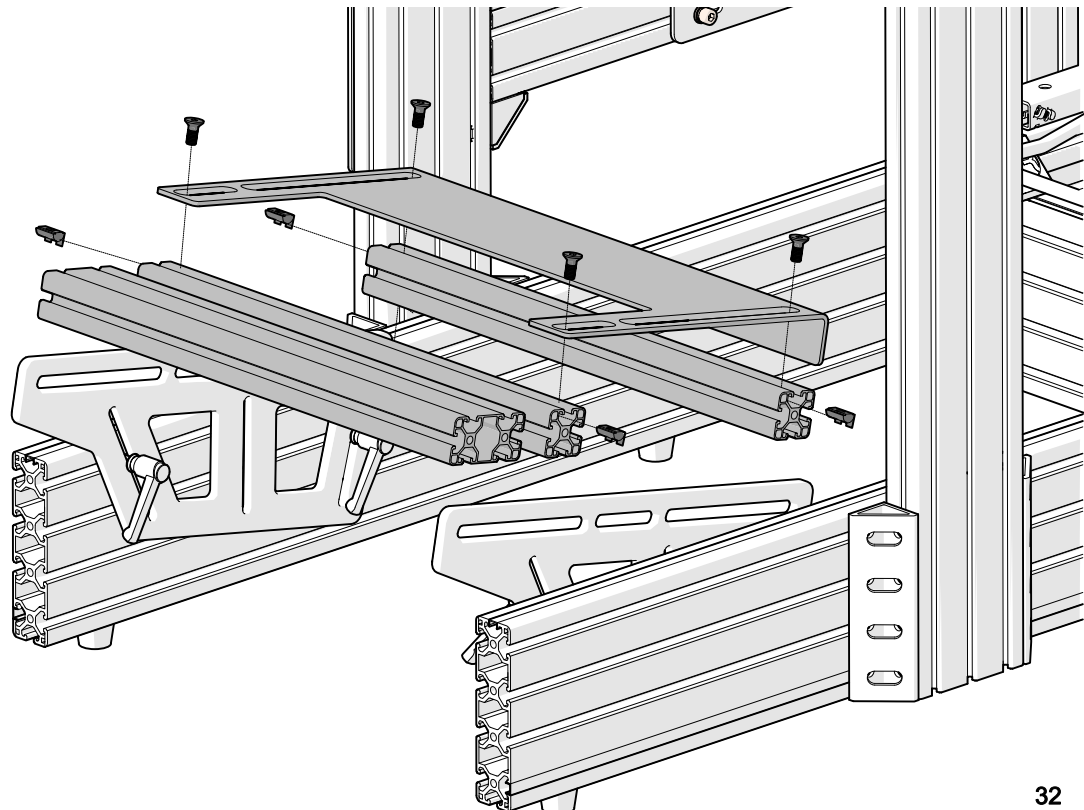
NS-M8 x4



SF-M8-16 x4



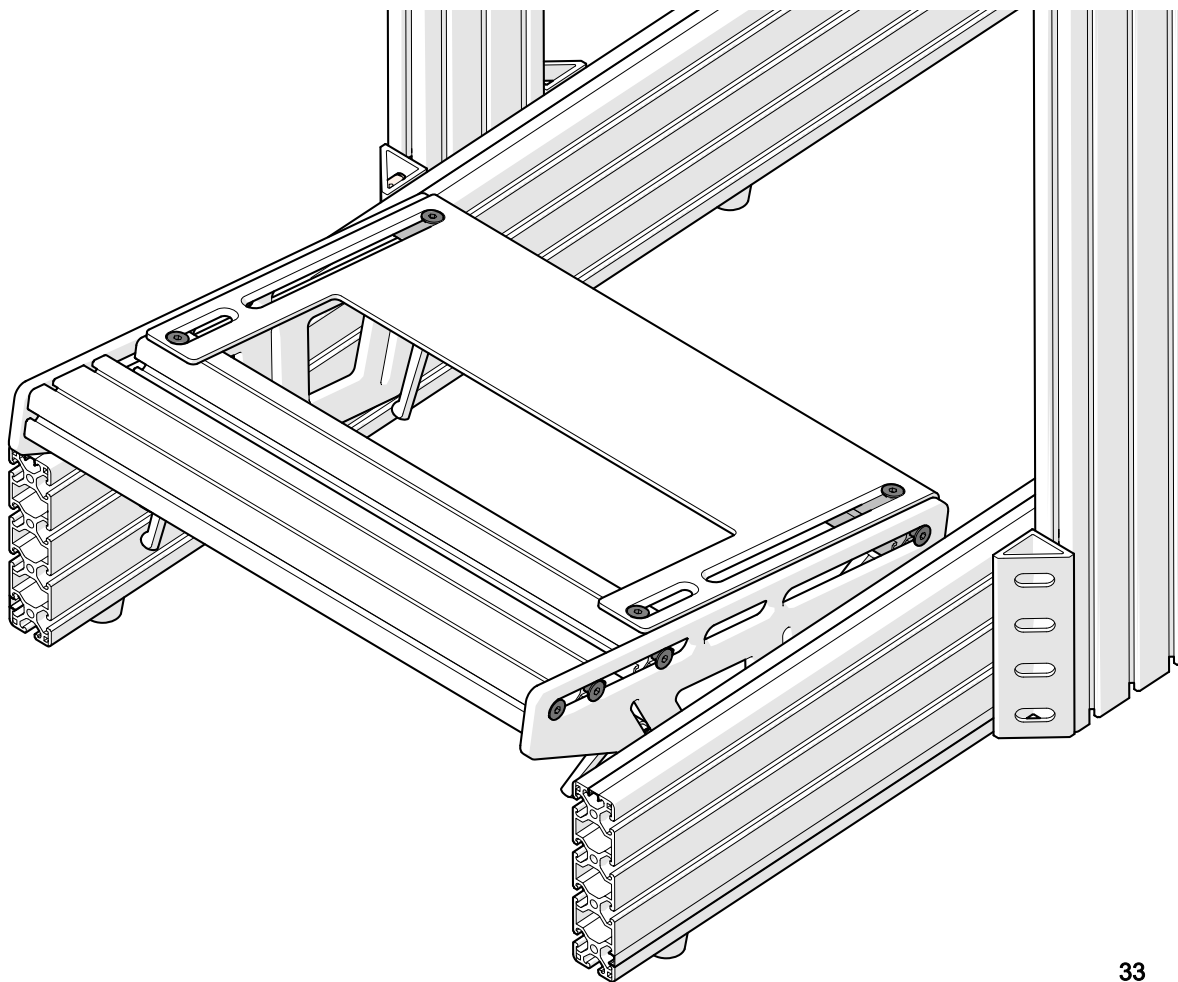
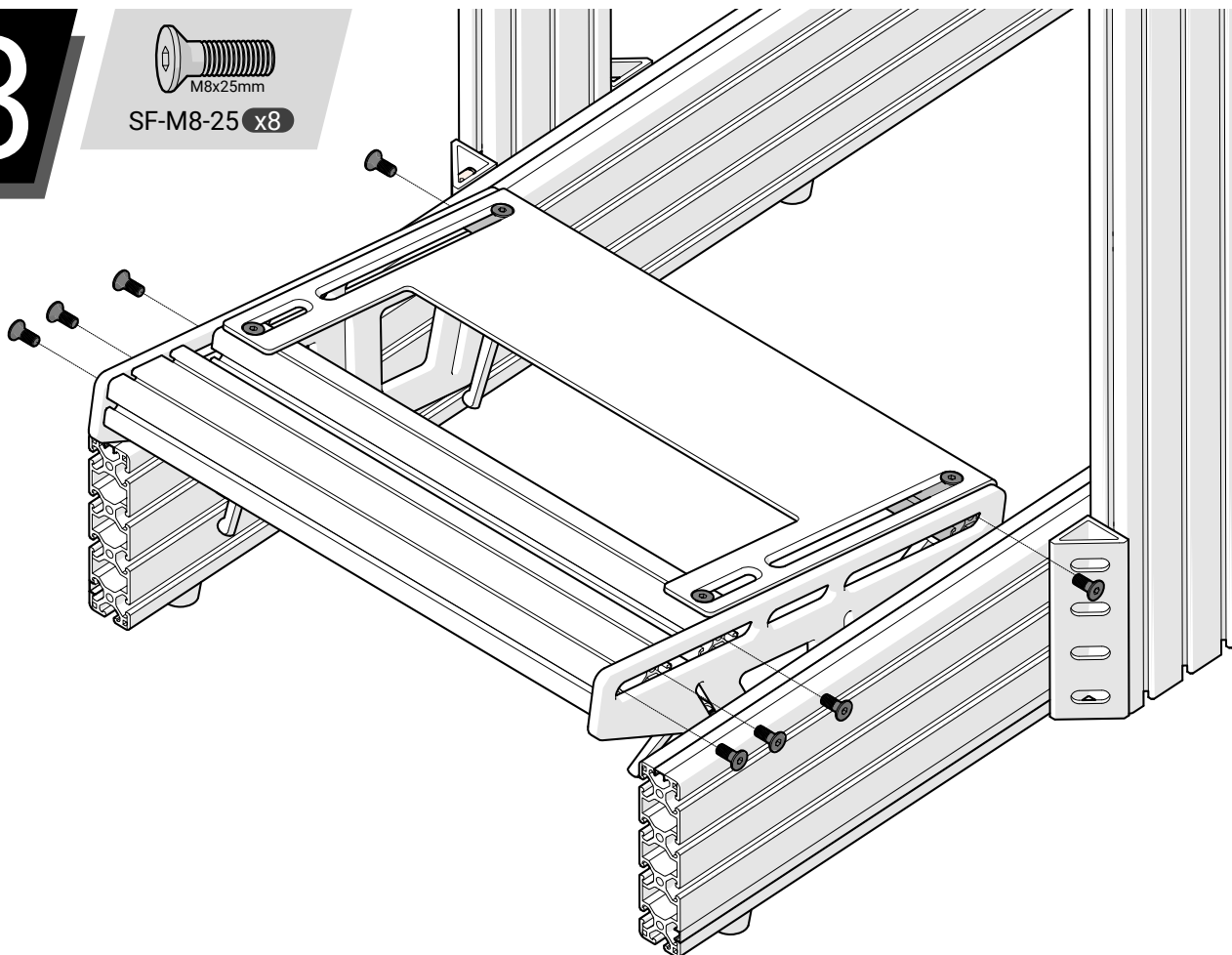
PP-HR-AL x1



3

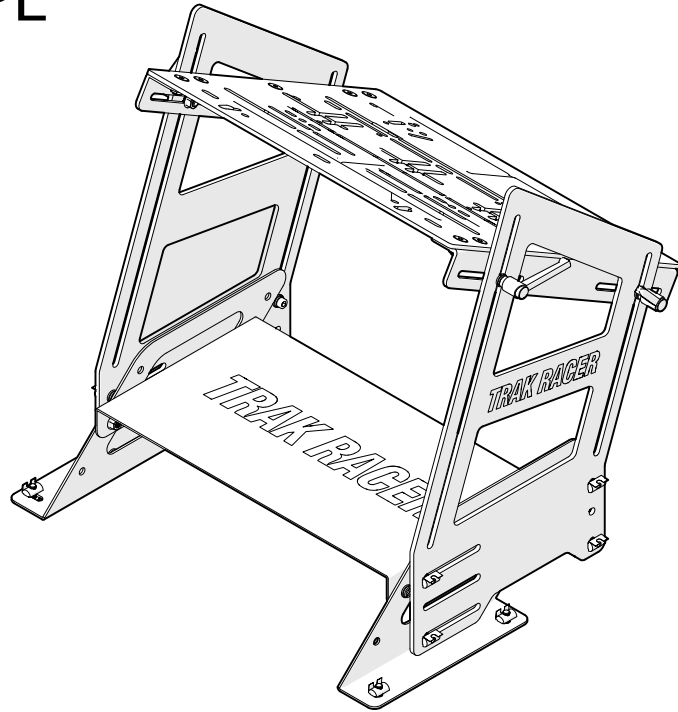


SF-M8-25 x8



Pedal Option 4

TR80-HYPL



NOTE: Hardware to attach pedals to plate not included. Please use hardware included with your pedal set.

Part #	Description	QTY	Check
BOX #: TR80-INVPED3			
SH-M8-20	Screw (Hex), M8x20	16	
SL-M8-25	Screw (Handle) M8x25	4	
WF-M8	Washer (Flat), M8	16	
WL-M8	Washer (Lock), M8	16	
NF-M8	Nut (Flange), M8	8	
NS-M8	T-Nut (Spring), M8	12	
PP-IN-BR	Pedal Plate, Inverted, Brackets	2	
PP-IN-FR	Pedal Plate, Inverted, Footrest	1	
PP-IN-SM	Pedal Plate, Inverted, Side Mounts	2	
BOX #: TR80-NEWPLATE			
PP-80-TP	Pedal Plate, TR80 Top Plate	1	
PP-NP-LB	Pedal Plate, L Bracket	2	
SH-M8-25	Screw (Hex), M8x25	4	
SF-M8-20	Screw (Flat), M8x20	10	
SH-M6-15	Screw (Hex), M6x15	4	
NF-M8	Nut (Flange), M8	14	
WF-M8	Washer (Flat), M8	4	
WL-M8	Washer (Lock), M8	4	

* NOTE: Extra hardware may be included as spare parts

TR80-INVPED3 + TR80-NEWPLATE



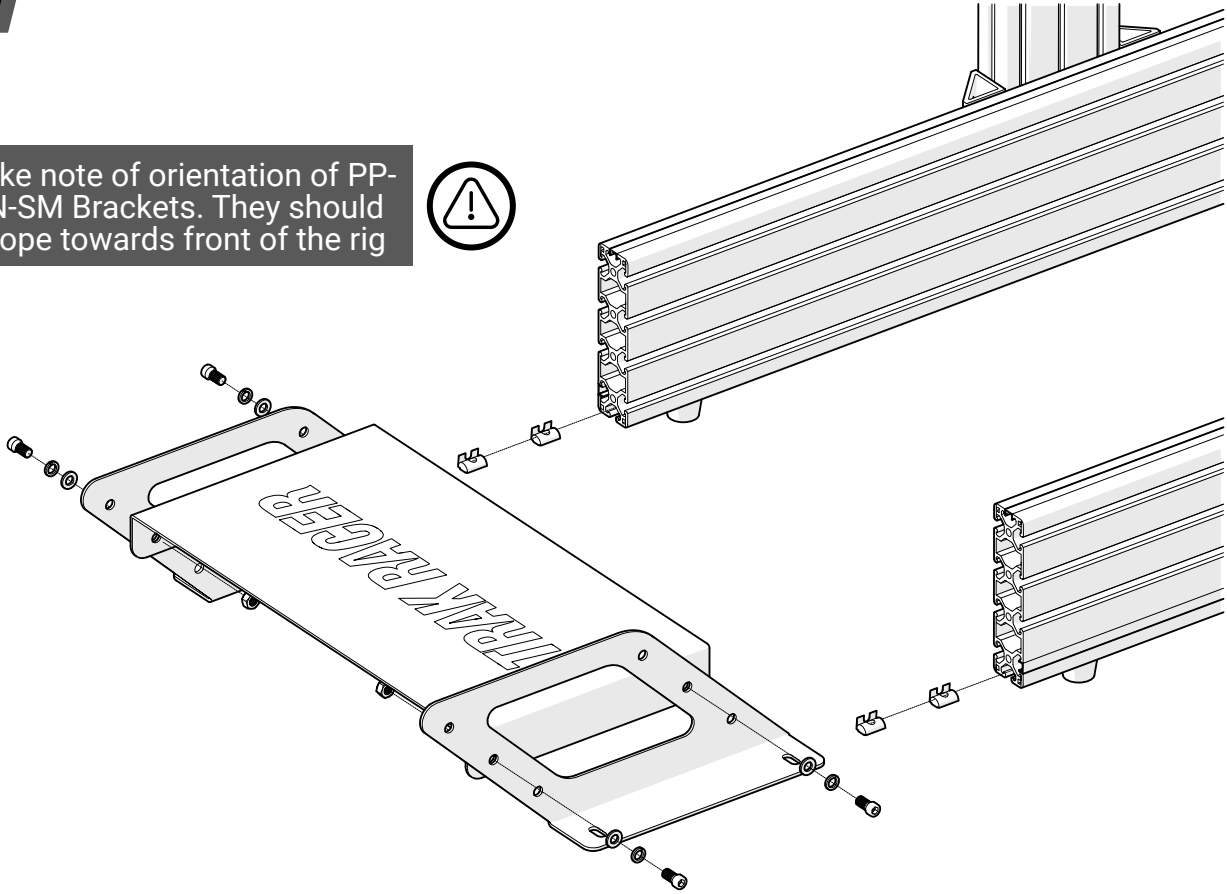
TRAK RACER

Published 2022-07-11

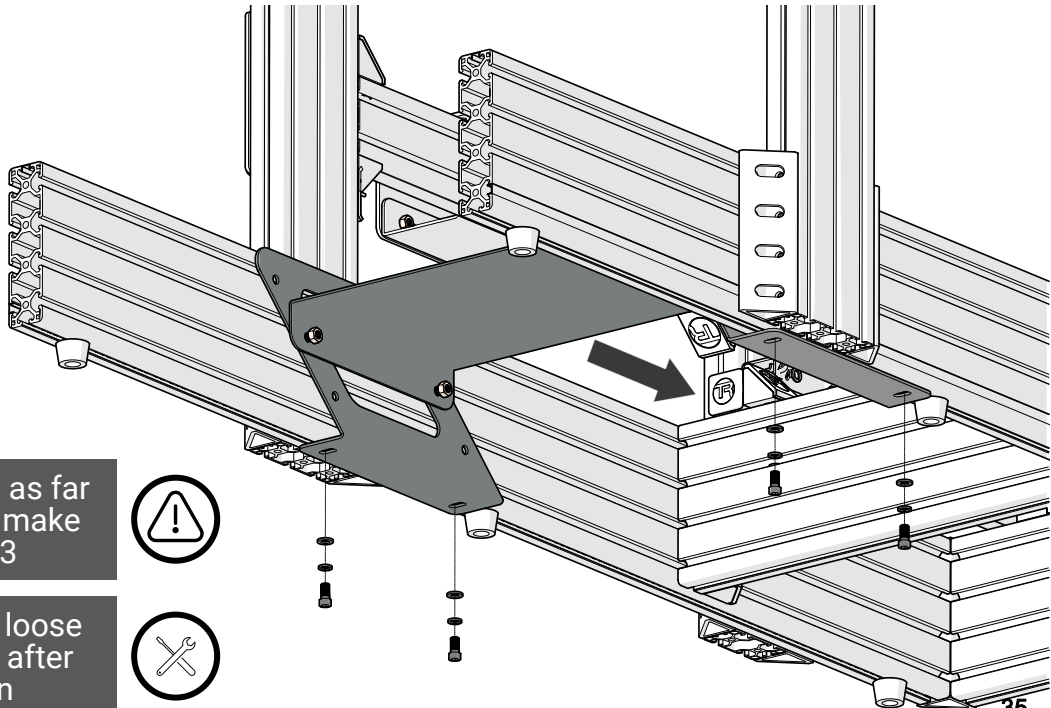
1



Take note of orientation of PP-IN-SM Brackets. They should slope towards front of the rig



2



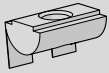
NOTE: Push footrest as far back as possible to make room for STEP 3



NOTE: Keep slightly loose and adjust position after seat installation



3



NS-M8 x8



SH-M8-20 x4



WL-M8 x8

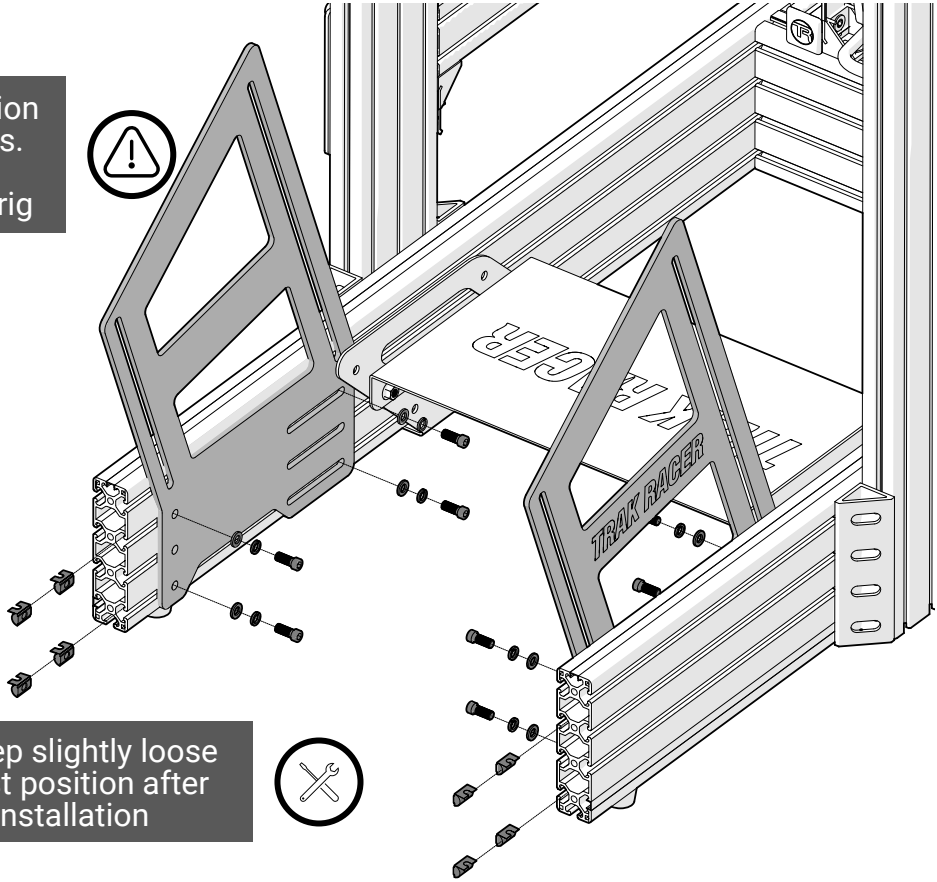


WF-M8 x8



PP-IN-BR x2

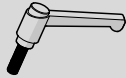
Take note of orientation of PP-IN-BR Brackets. They should slope towards front of the rig



NOTE: Keep slightly loose and adjust position after seat installation



4



SL-M8-25 x4



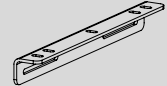
WL-M8 x4



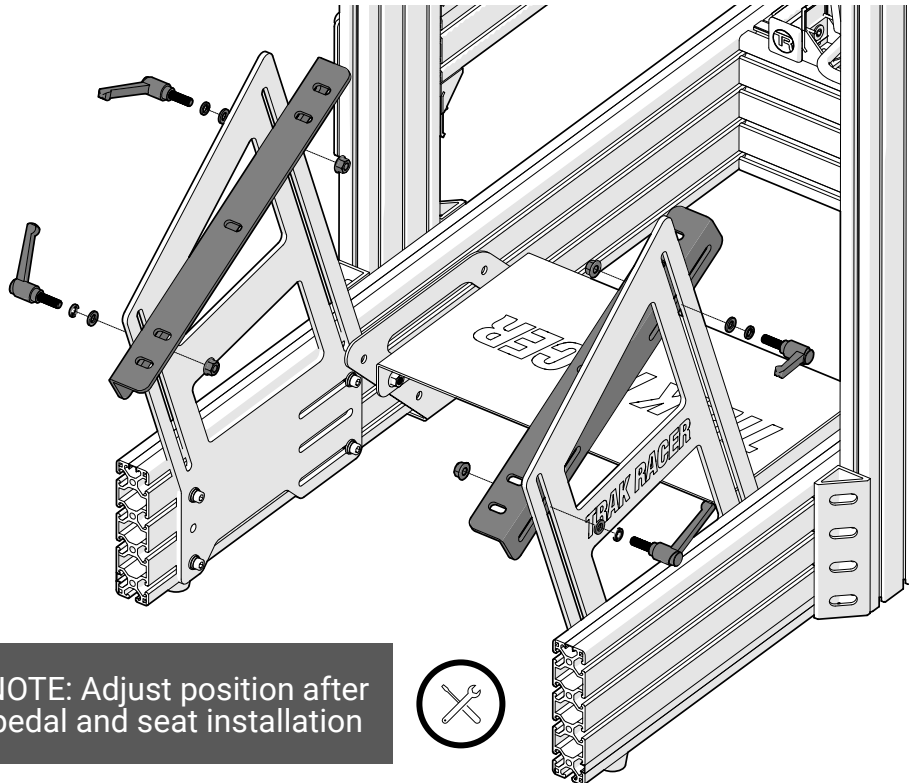
WF-M8 x4



NF-M8 x4



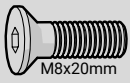
PP-NP-LB x2



NOTE: Adjust position after pedal and seat installation



5



M8x20mm

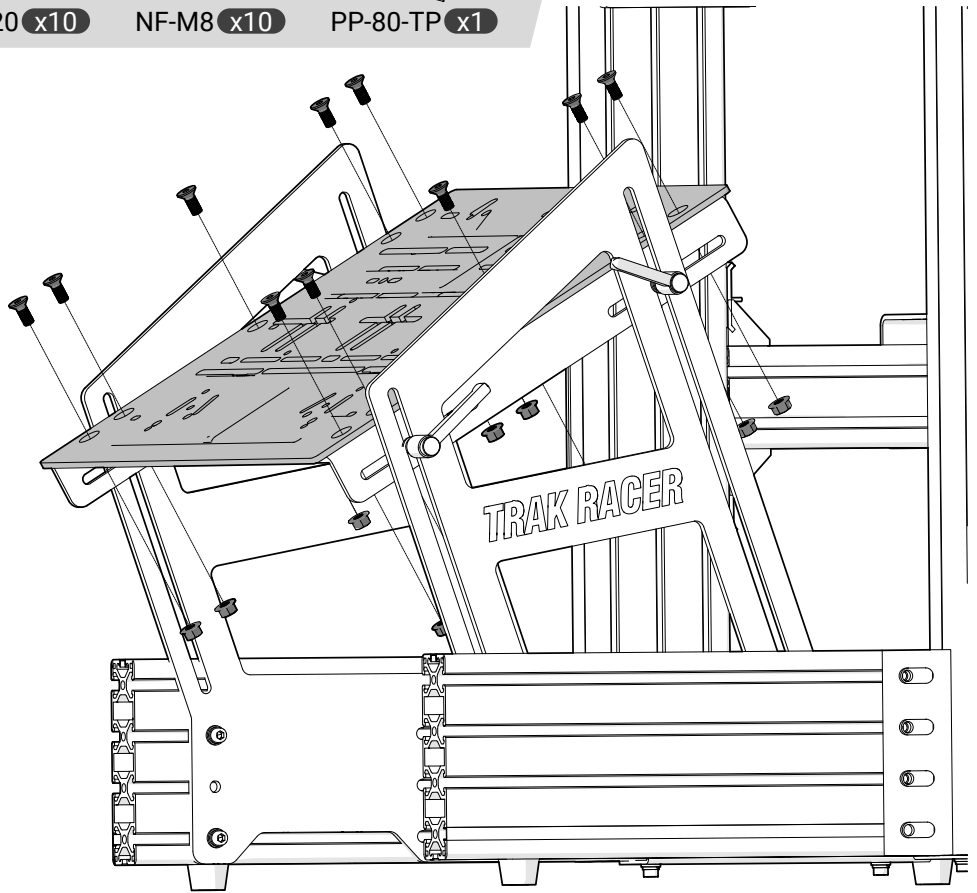
SF-M8-20 x10



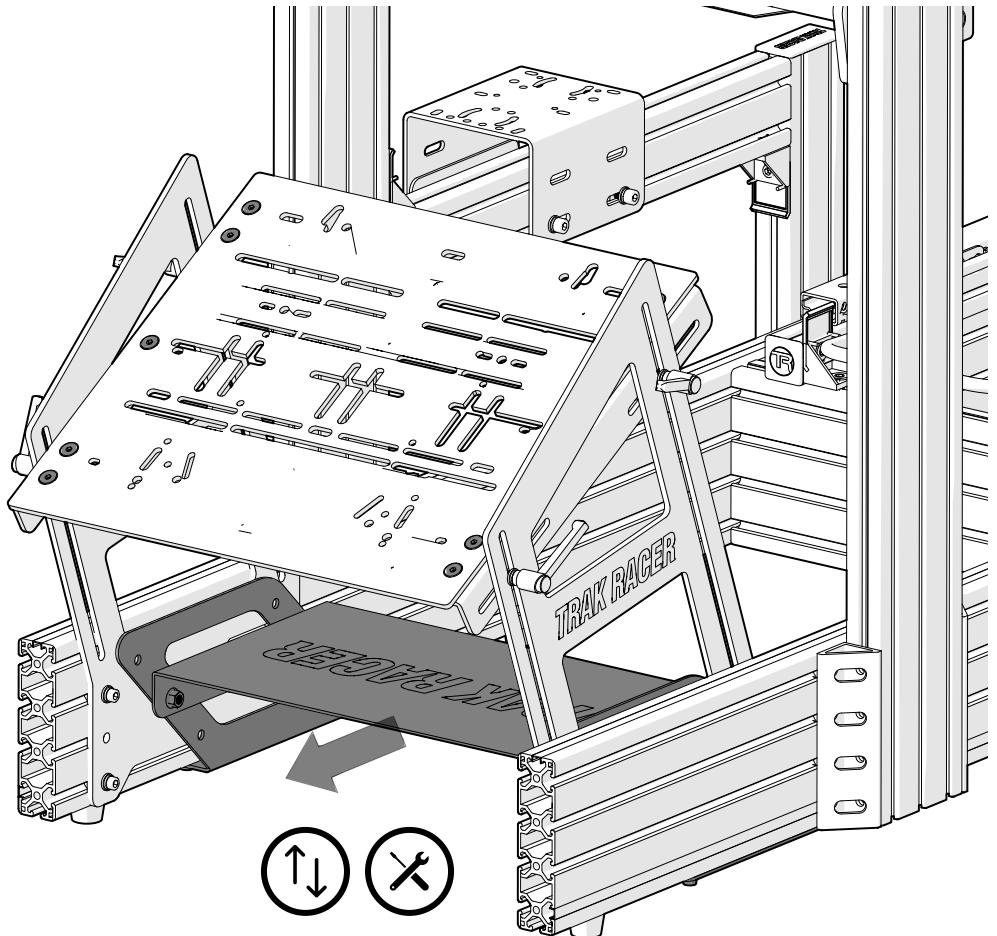
NF-M8 x10



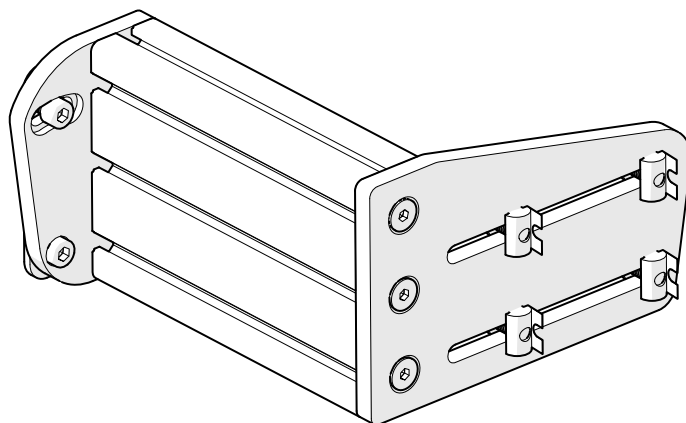
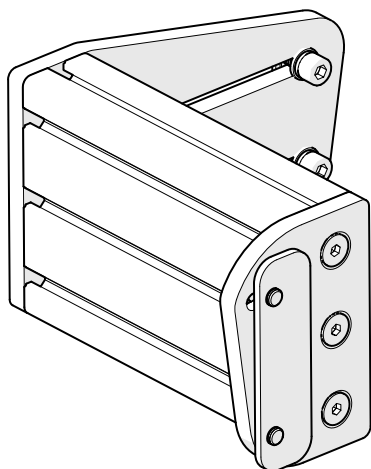
PP-80-TP x1



6



Wheel Mount Option 1



TR-One Fanatec Direct Drive Mount

Part #	Description	QTY	Check
BOX #: TR80-NWMA			
SH-M8-25	M8 x 25mm Hex Screw	12	
SF-M8-20	M8 x 20mm Flat Screw	12	
WF-M8	M8 Flat Washer	8	
WL-M8	M8 Lock Washer	8	
NS-M8	M8 Spring T-Nut	8	
WM-TR1-FN	Fanatec Podium/CSL DD Plates (5mm)	4	
WM-TR1-WP	Wheel Mounting Plates	2	
WM-TR1-PP	Side Profile Mounting Plates	2	
AT-120-180	180mm 40 x 120mm Aluminium Profile (Threaded)	2	

* **NOTE:** Extra hardware may be included as spare parts

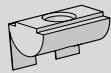
TR80-NWMA



TRAK RACER

Published 2022-07-11

1



NS-M8 x8



SH-M8-25 x8
M8x25mm



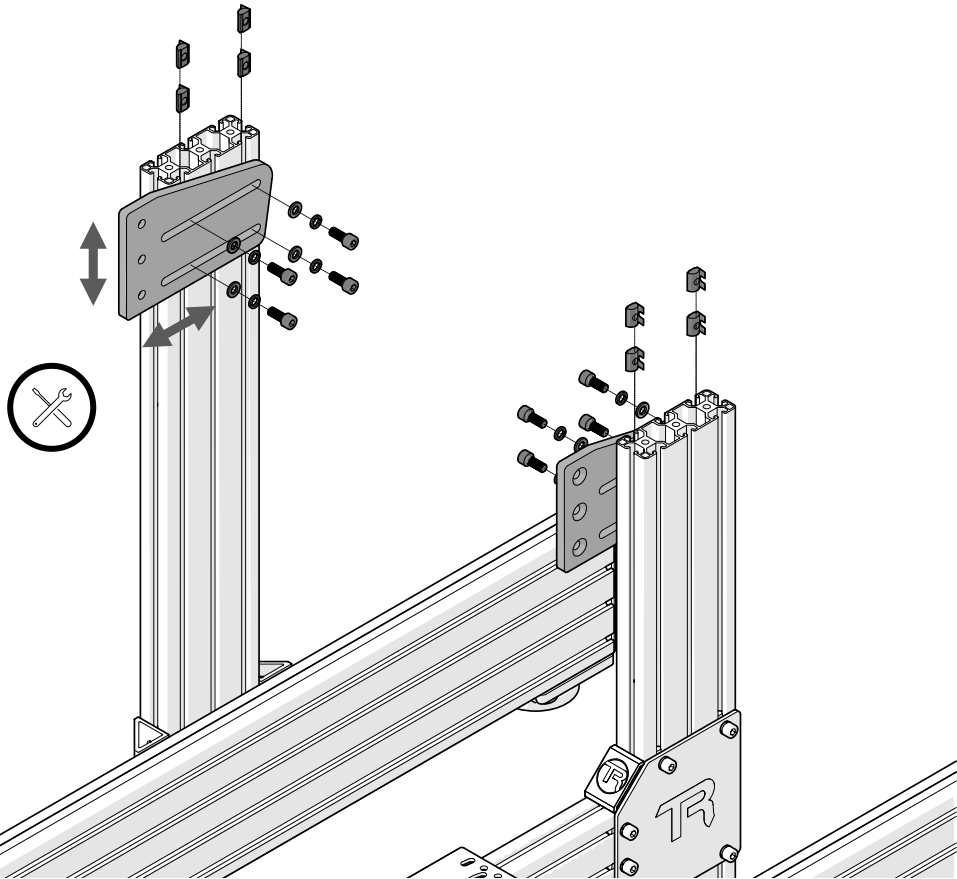
WL-M8 x8



WF-M8 x8

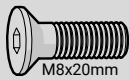


WM-TR1-PP x2

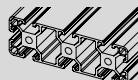


NOTE: Adjust position after wheelbase and seat installation

2



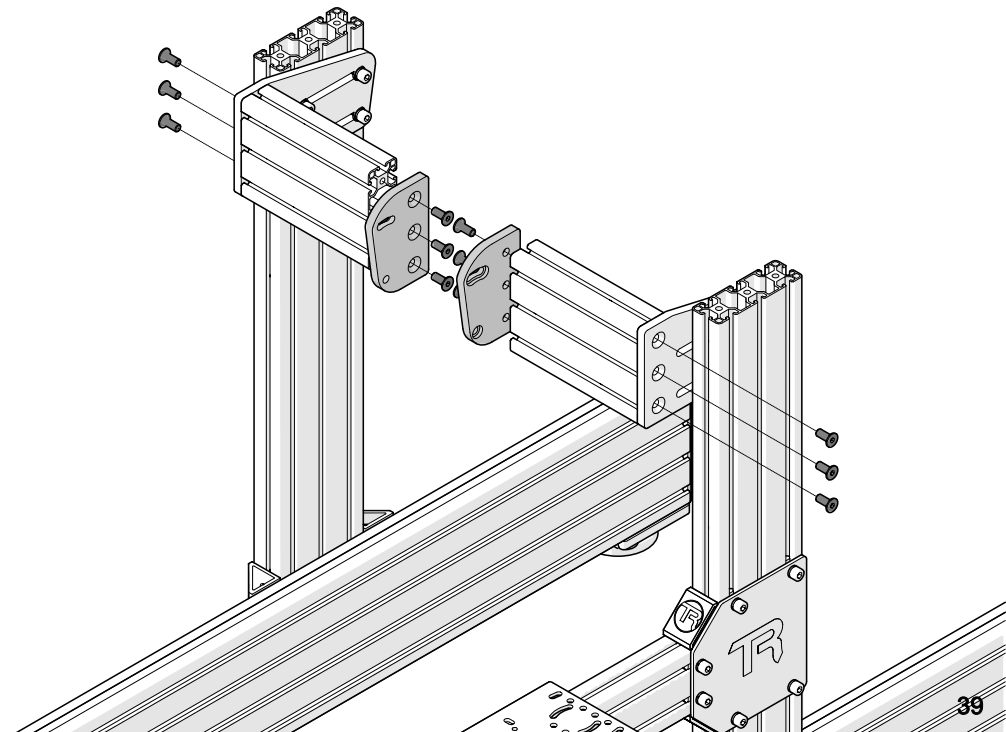
SF-M8-20 x12
M8x20mm



AT-120-180 x2



WMP x2

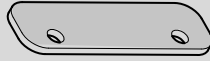


3



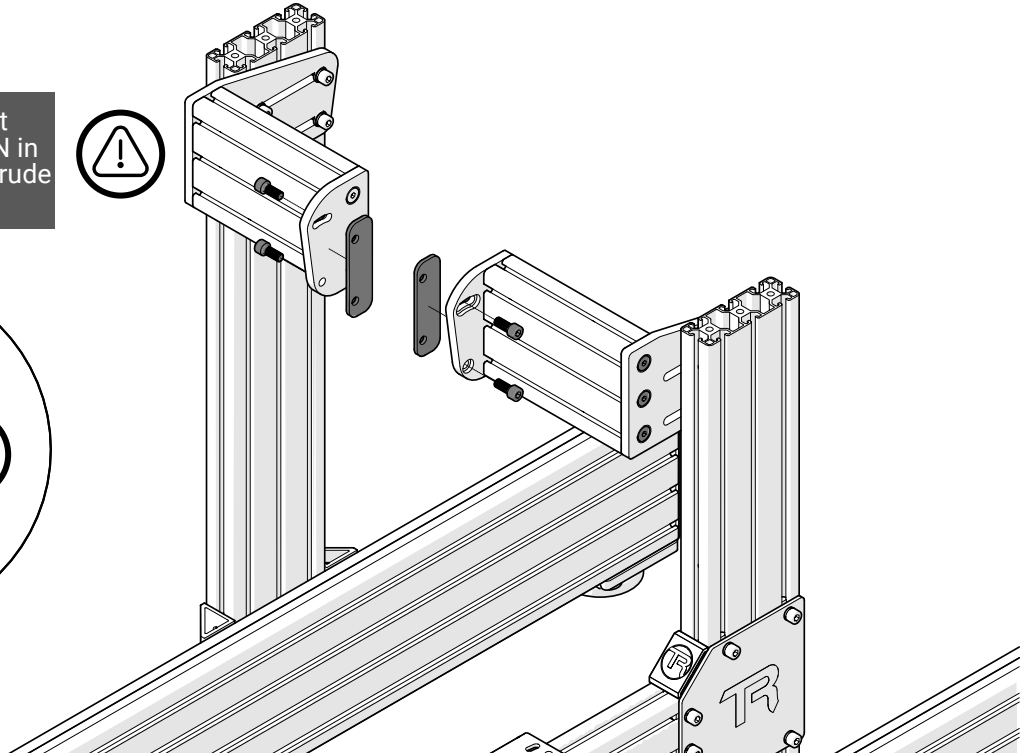
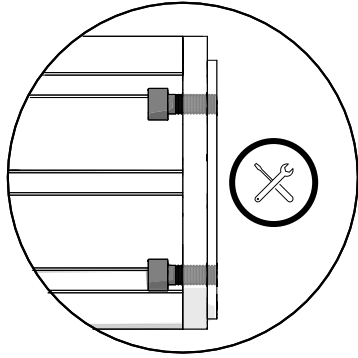
M8x25mm

SH-M8-25 x4

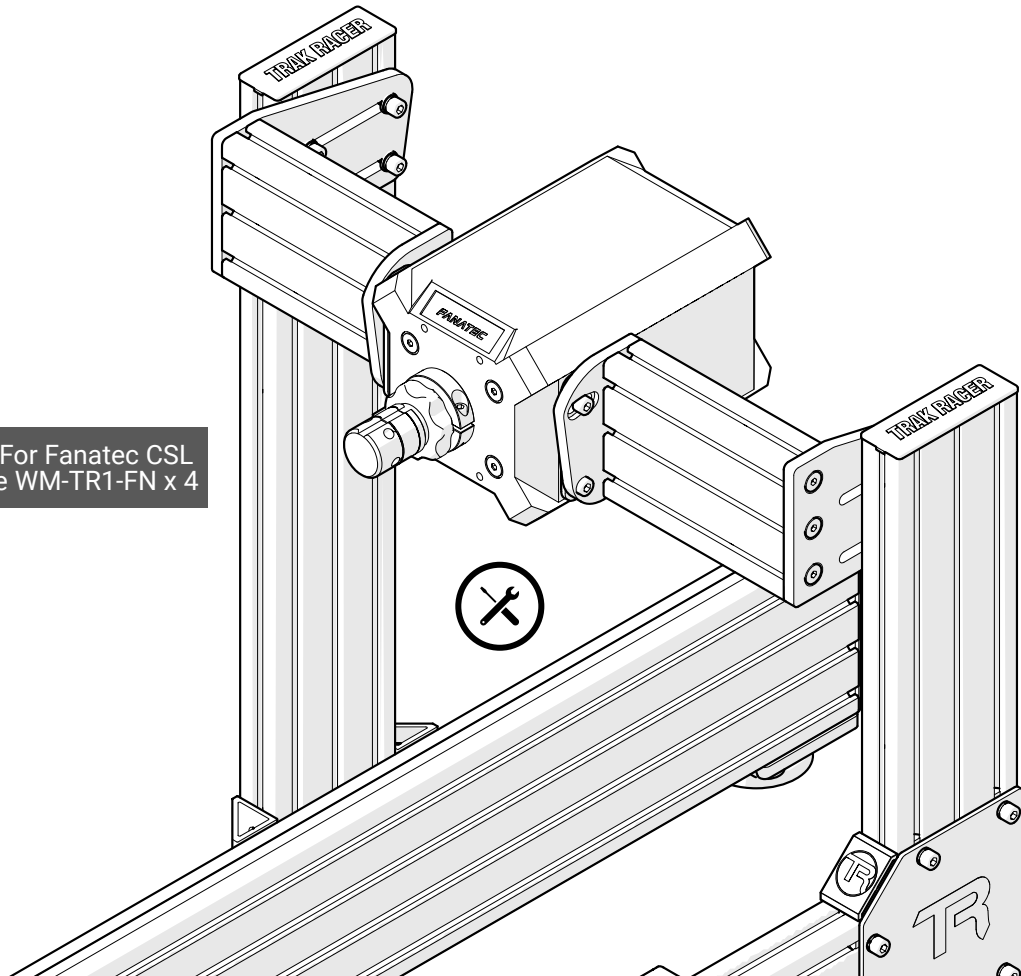


WM-TR1-FN x2

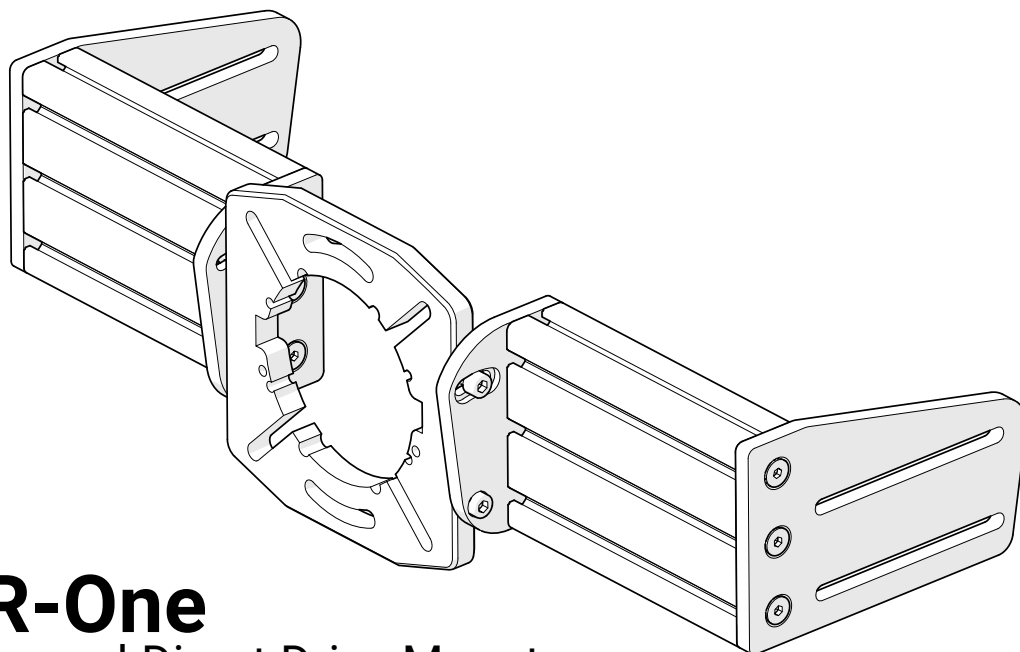
Note: Thread screws just enough to hold WM-TR1-FN in place so screws do not protrude past WM-TR1-FN plate.



Note: For Fanatec CSL DD use WM-TR1-FN x 4



Wheel Mount Option 2



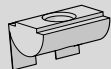
TR-One Universal Direct Drive Mount

Part #	Description	QTY	Check
BOX #: TR80-NWMA			
SH-M8-25	Screw (Hex), M8x25	12	
SF-M8-20	Screw (Flat), M8x20	12	
WF-M8	Washer (Flat), M8	8	
WL-M8	Washer (Lock), M8	8	
NS-M8	T-Nut (Spring), M8	8	
WM-TR1-FN	Wheel Mount, TR-ONE, Fanatec Plates	4	
WM-TR1-WP	Wheel Mount, TR-ONE, Wheel Plates	2	
WM-TR1-PP	Wheel Mount, TR-ONE, Profile Plates	2	
AT-120-180	Aluminum Profile (Threaded), 40x120x180mm	2	
BOX #: TR80-NWMDD			
SH-M8-20	Screw (Hex), M8x20	4	
SH-M8-25	Screw (Hex), M8x25	4	
WF-M8	Washer (Flat), M8	4	
SH-M6-20	Screw (Hex), M6x20	2	
WF-M6	Washer (Flat), M6	2	
WM-DD	Wheel Mount, Direct Drive	1	

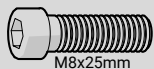
* **NOTE:** Extra hardware may be included as spare parts

TR80-NWMA + TR80-NWMDD

1



NS-M8 x8



SH-M8-25 x8
M8x25mm



WL-M8 x8

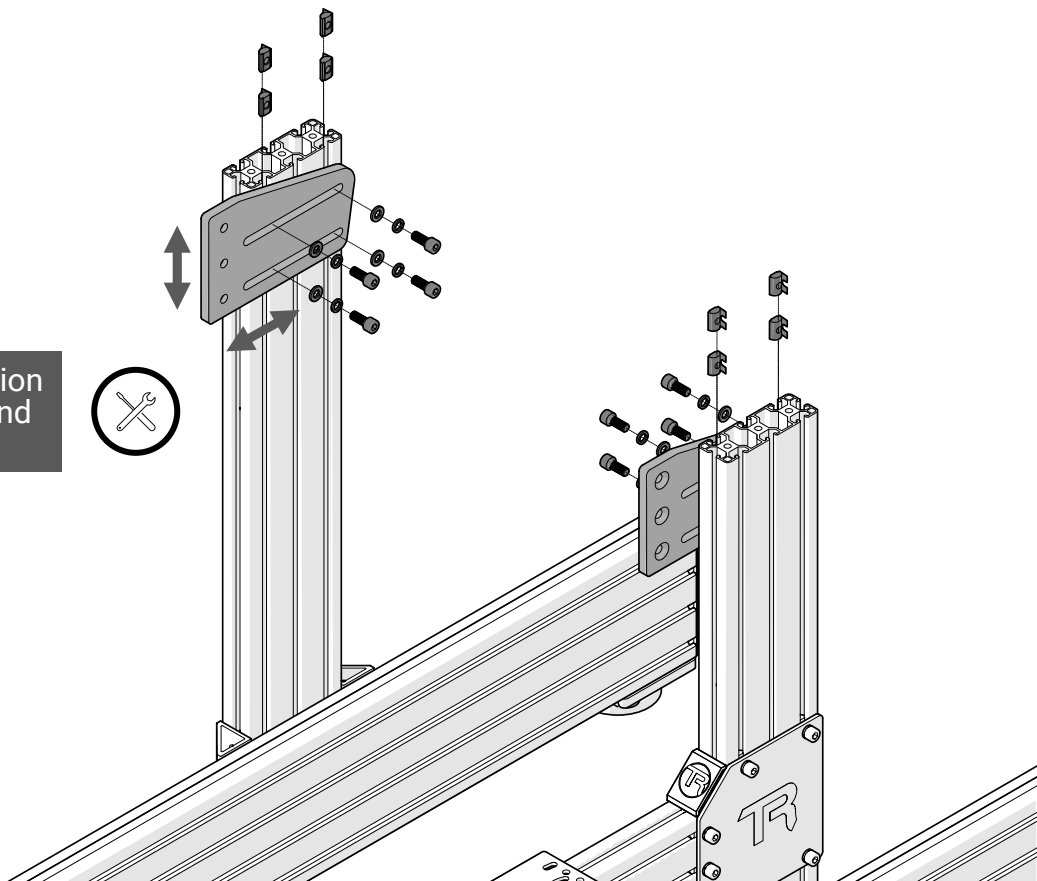


WF-M8 x8

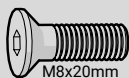


WM-TR1-PP x2

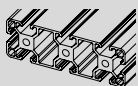
NOTE: Adjust position
after wheelbase and
seat installation



2



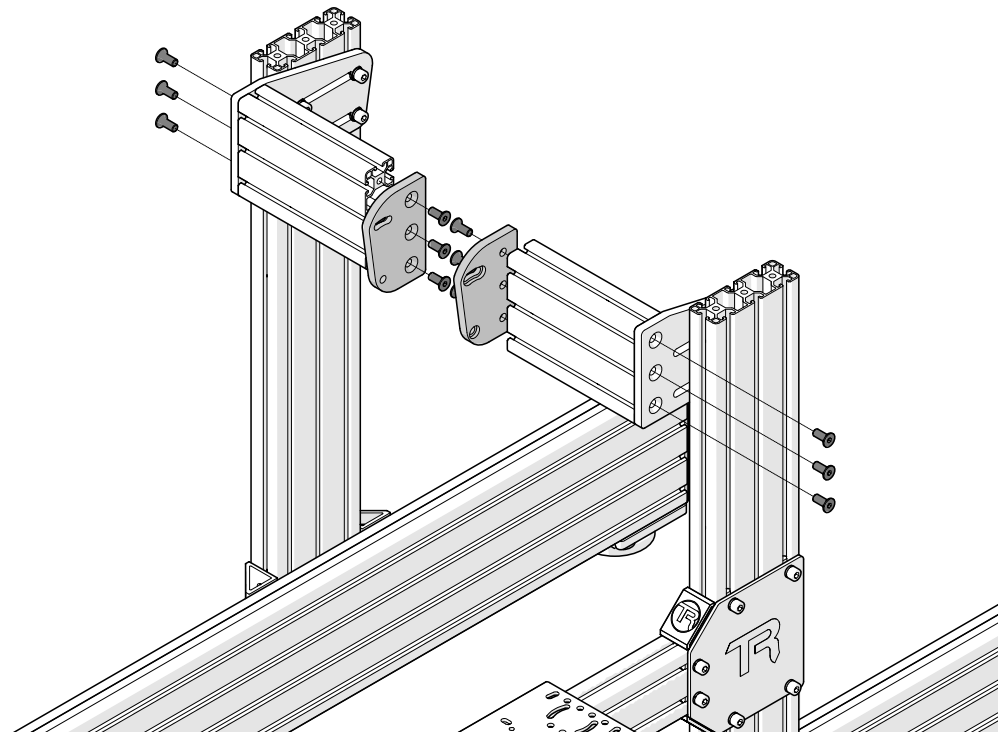
SF-M8-20 x12
M8x20mm



AT-120-180 x2



WM-TR1-WP x2



3

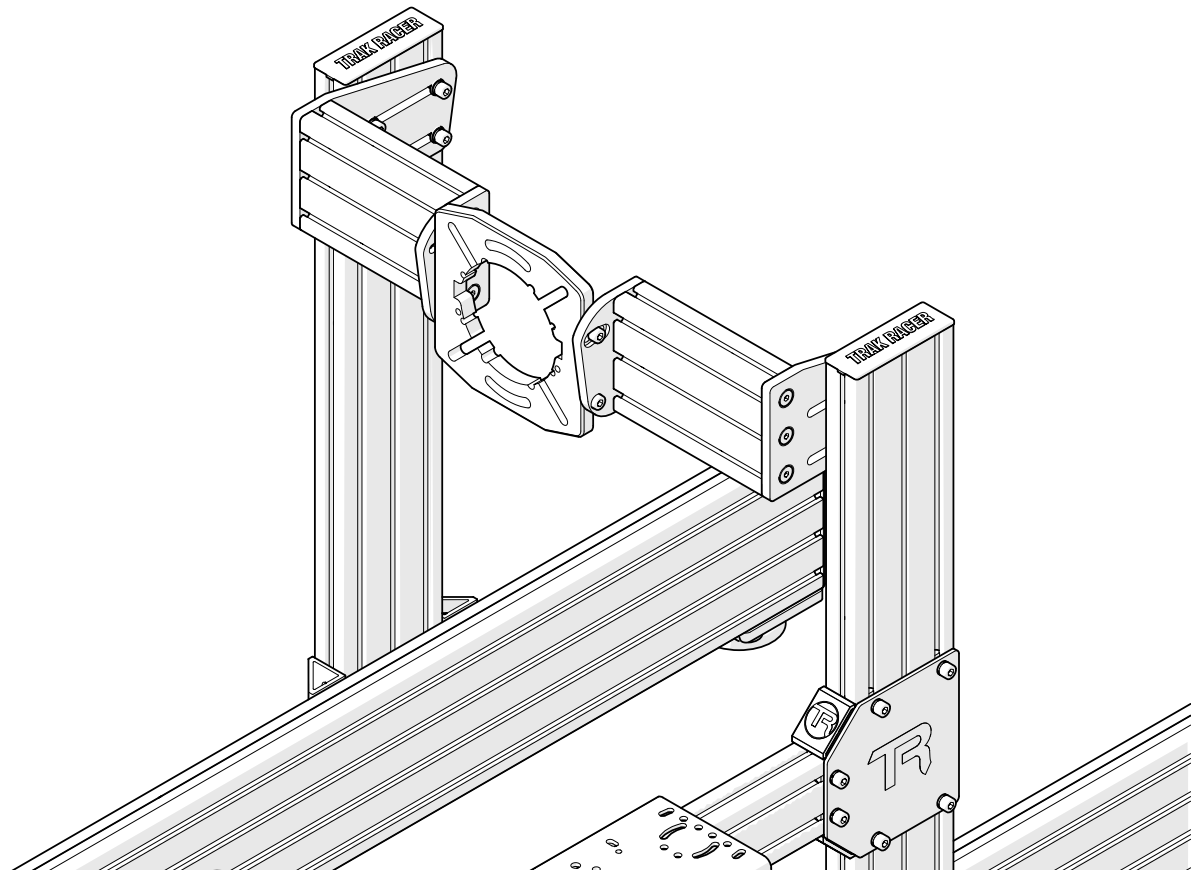
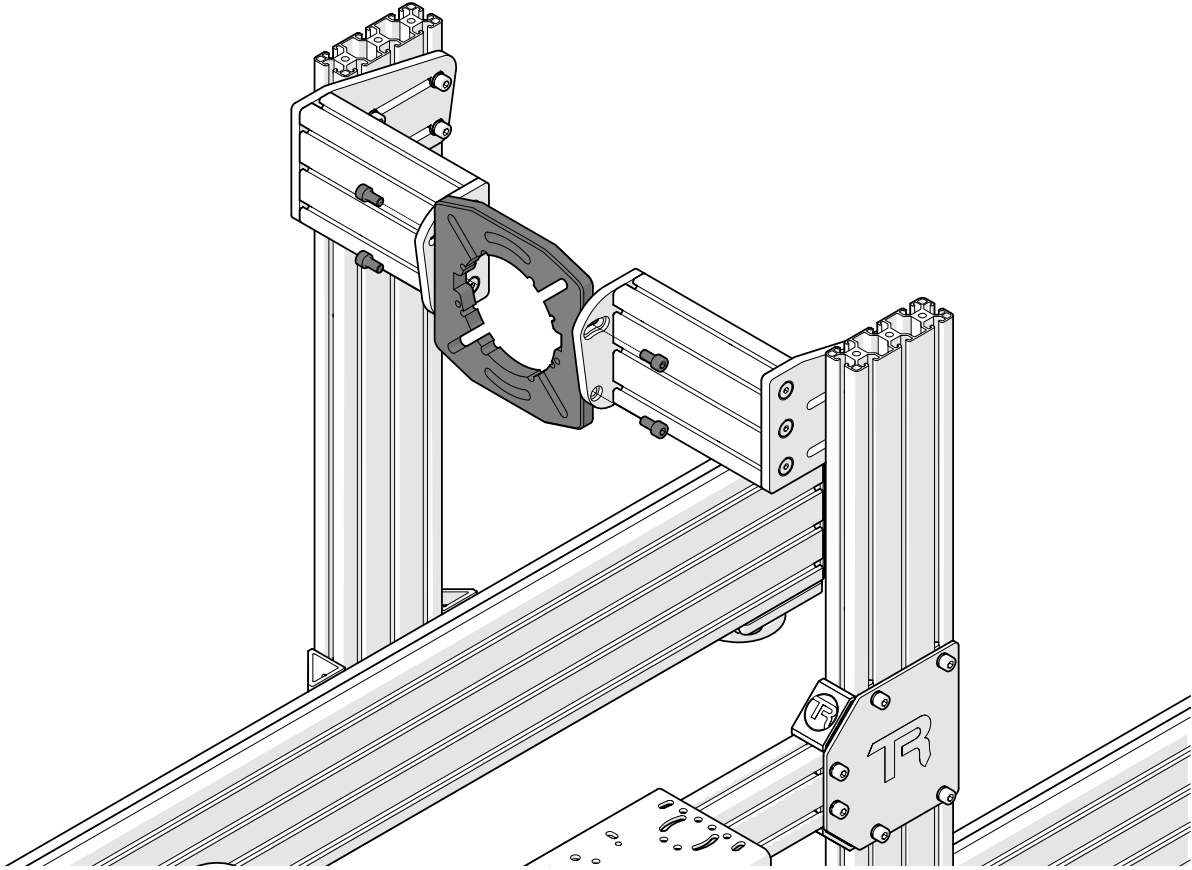


M8x20mm

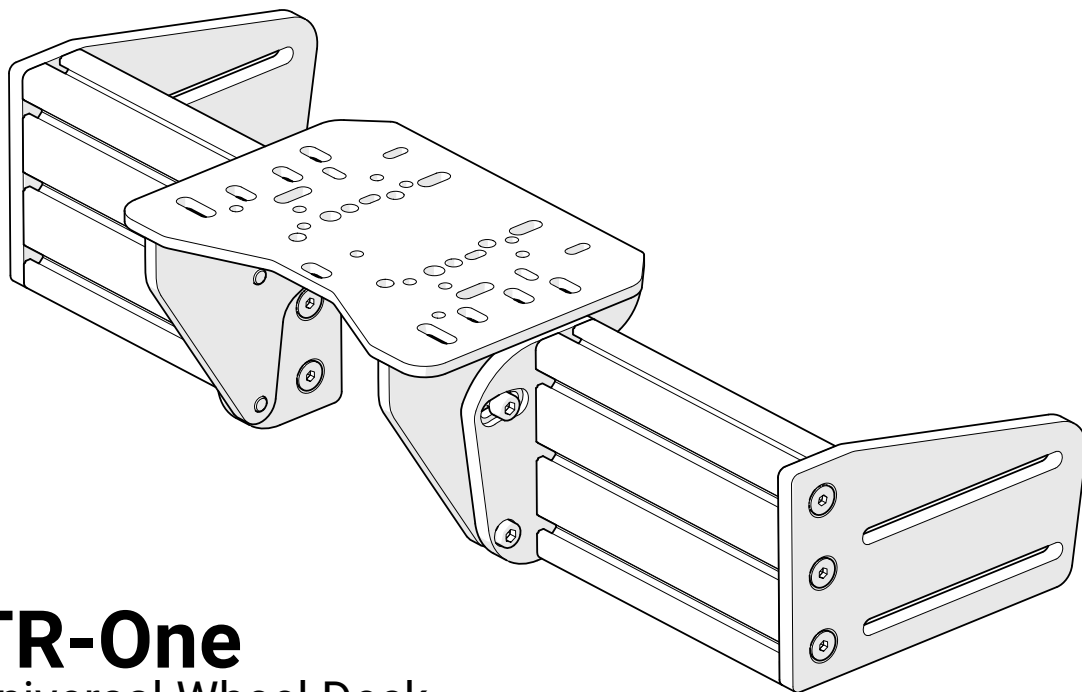
SH-M8-20 x4



WM-DD x1



Wheel Mount Option 3



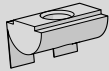
TR-One Universal Wheel Deck

Part #	Description	QTY	Check
BOX #: TR80-NWMA			
SH-M8-25	Screw (Hex), M8x25	12	
SF-M8-20	Screw (Flat), M8x20	12	
WF-M8	Washer (Flat), M8	8	
WL-M8	Washer (Lock), M8	8	
NS-M8	T-Nut (Spring), M8	8	
WM-TR1-FN	Wheel Mount, TR-ONE, Fanatec Plates	4	
WM-TR1-WP	Wheel Mount, TR-ONE, Wheel Plates	2	
WM-TR1-PP	Wheel Mount, TR-ONE, Profile Plates	2	
AT-120-180	Aluminum Profile (Threaded), 40x120x180mm	2	
BOX #: TR80-NWM4			
SH-M8-15	Screw (Hex), M8x15	4	
SH-M6-15	Screw (Hex), M6x15	4	
WF-M6	Washer (Flat), M6	4	
WM-WM4	Wheel Mount, TR80-NWM4 Assembly	1	

* **NOTE:** Extra hardware may be included as spare parts

TR80-NWMA + TR80-NWM4

1



NS-M8 x8



SH-M8-25 x8
M8x25mm



WL-M8 x8

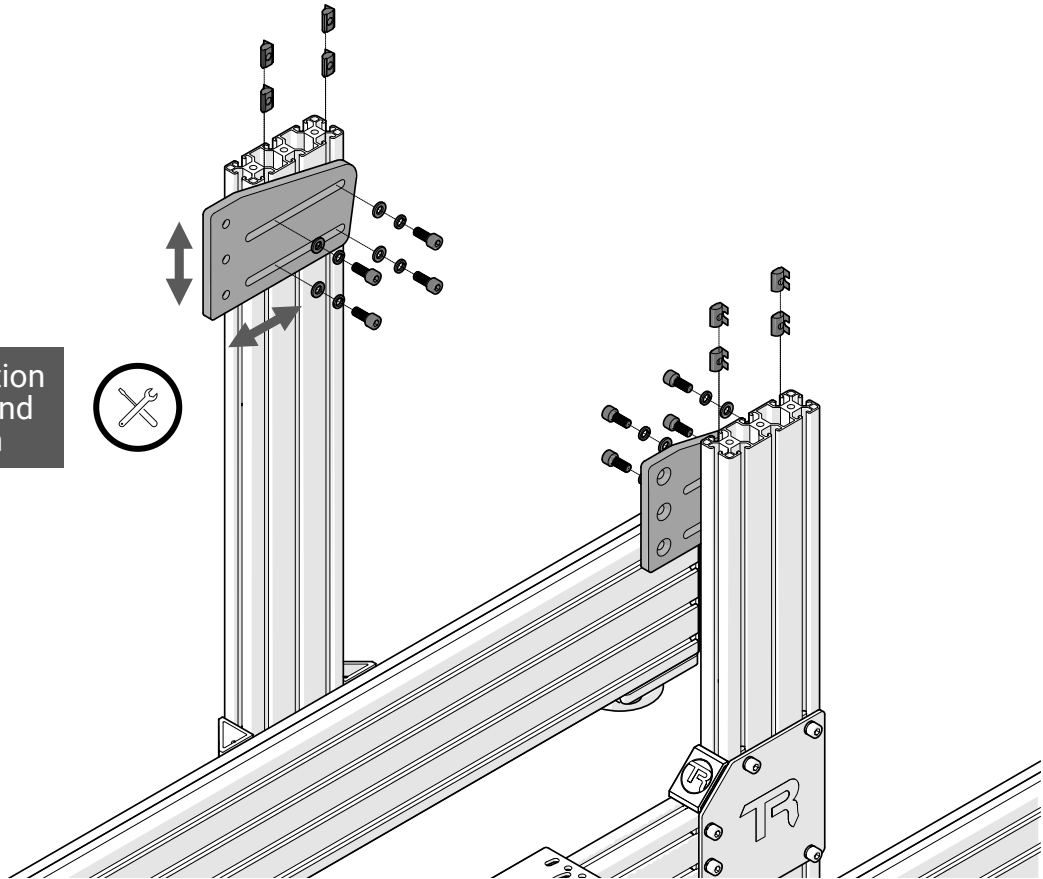


WF-M8 x8

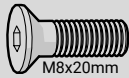


WM-TR1-PP x2

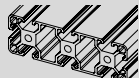
NOTE: Adjust position
after wheelbase and
seat installation



2



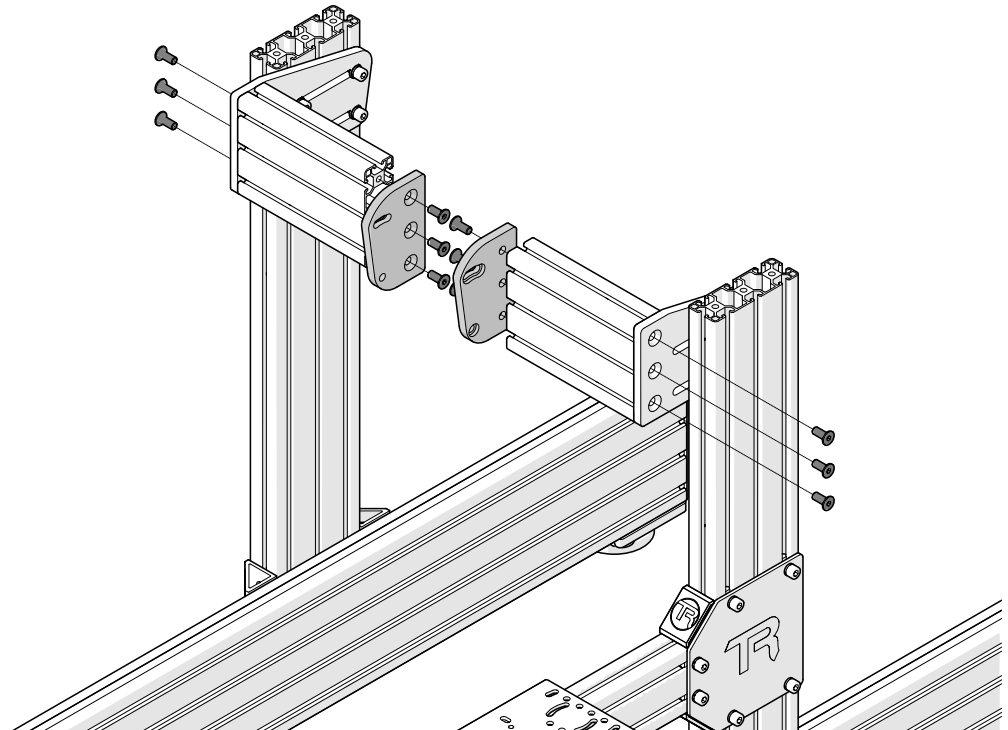
SF-M8-20 x12
M8x20mm



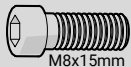
AT-120-180 x2



WM-TR1-WP x2



3

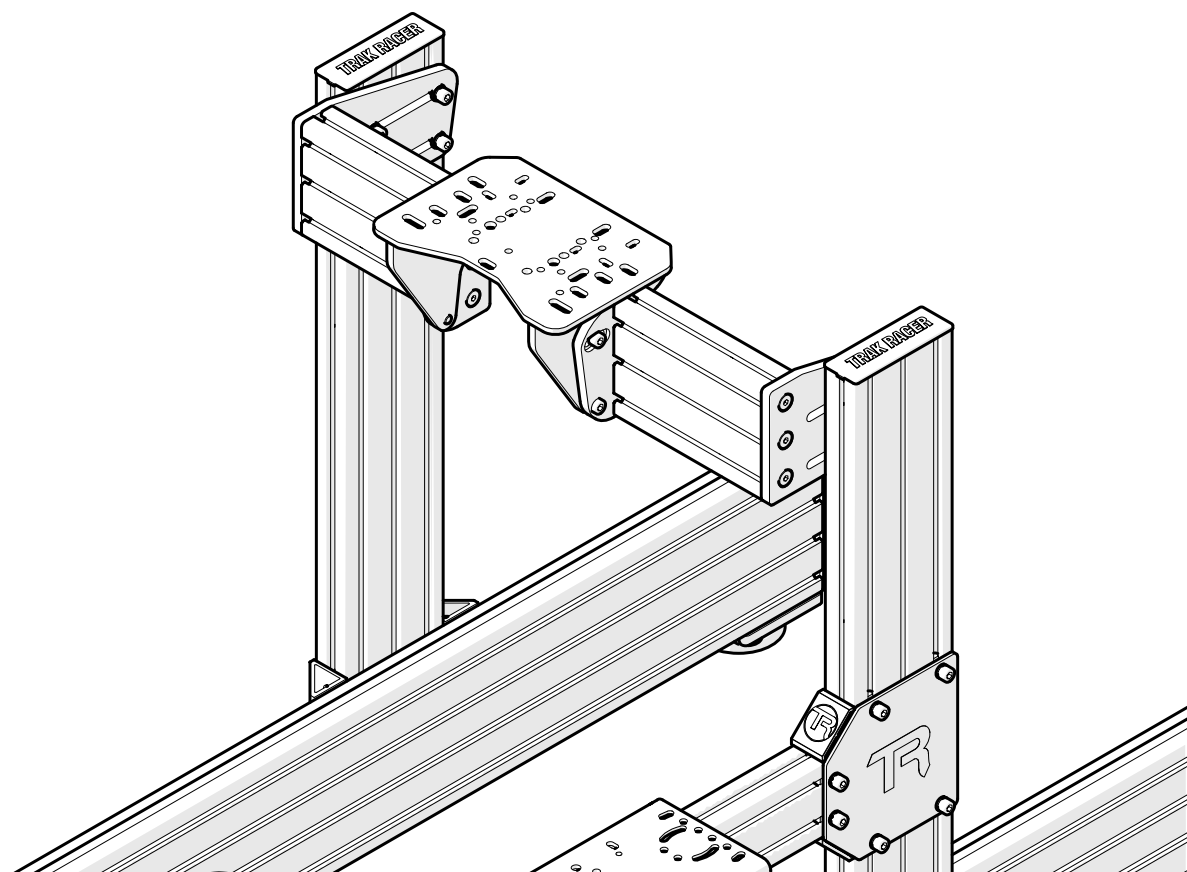
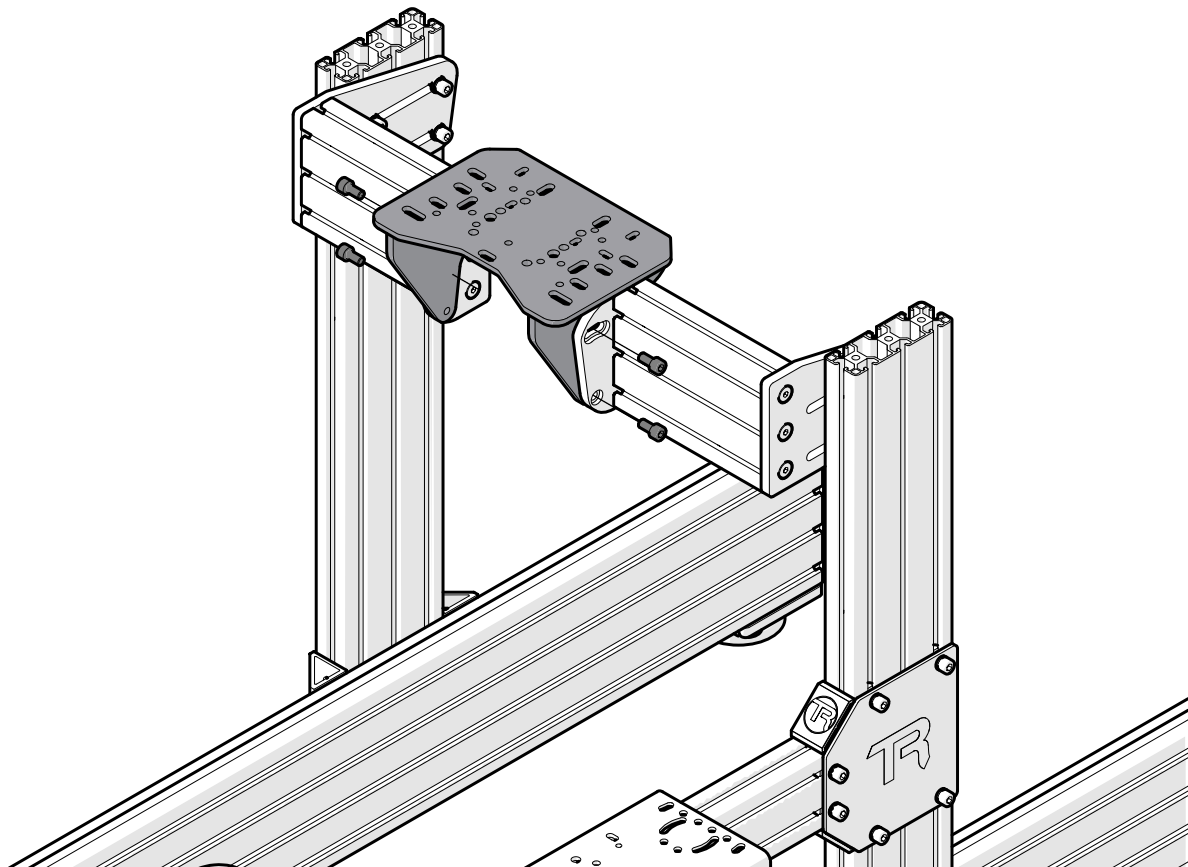


M8x15mm

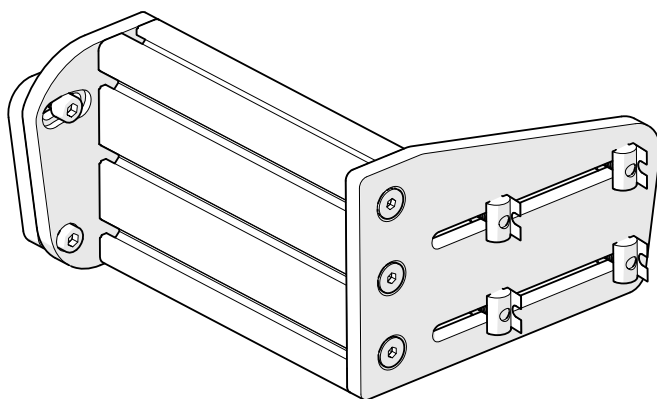
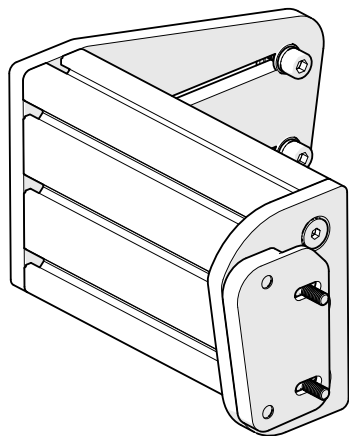
SH-M8-15 x4



WM-WM4 x1



Wheel Mount Option 4



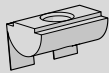
TR-One Simagic M10 Direct Drive Mount

Part #	Description	QTY	Check
BOX #: TR80-NWMA			
SH-M8-25	Screw (Hex), M8x25	12	
SF-M8-20	Screw (Flat), M8x20	12	
WF-M8	Washer (Flat), M8	8	
WL-M8	Washer (Lock), M8	8	
NS-M8	T-Nut (Spring), M8	8	
WM-TR1-FN	Wheel Mount, TR-ONE, Fanatec Plates	4	
WM-TR1-WP	Wheel Mount, TR-ONE, Wheel Plates	2	
WM-TR1-PP	Wheel Mount, TR-ONE, Profile Plates	2	
AT-120-180	Aluminum Profile (Threaded), 40x120x180mm	2	
BOX #: TR80-NWMSM			
SH-M8-16	Screw (Hex), M8x16	4	
SH-M6-16	Screw (Hex), M6x16	4	
WF-M6	Washer (Flat), M6	4	
WM-TR1-SM	Wheel Mount, TR-ONE, Sim Magic Plates	2	

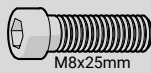
* **NOTE:** Extra hardware may be included as spare parts

TR80-NWMA + TR80-NWMSM

1



NS-M8 x8



SH-M8-25 x8
M8x25mm



WL-M8 x8

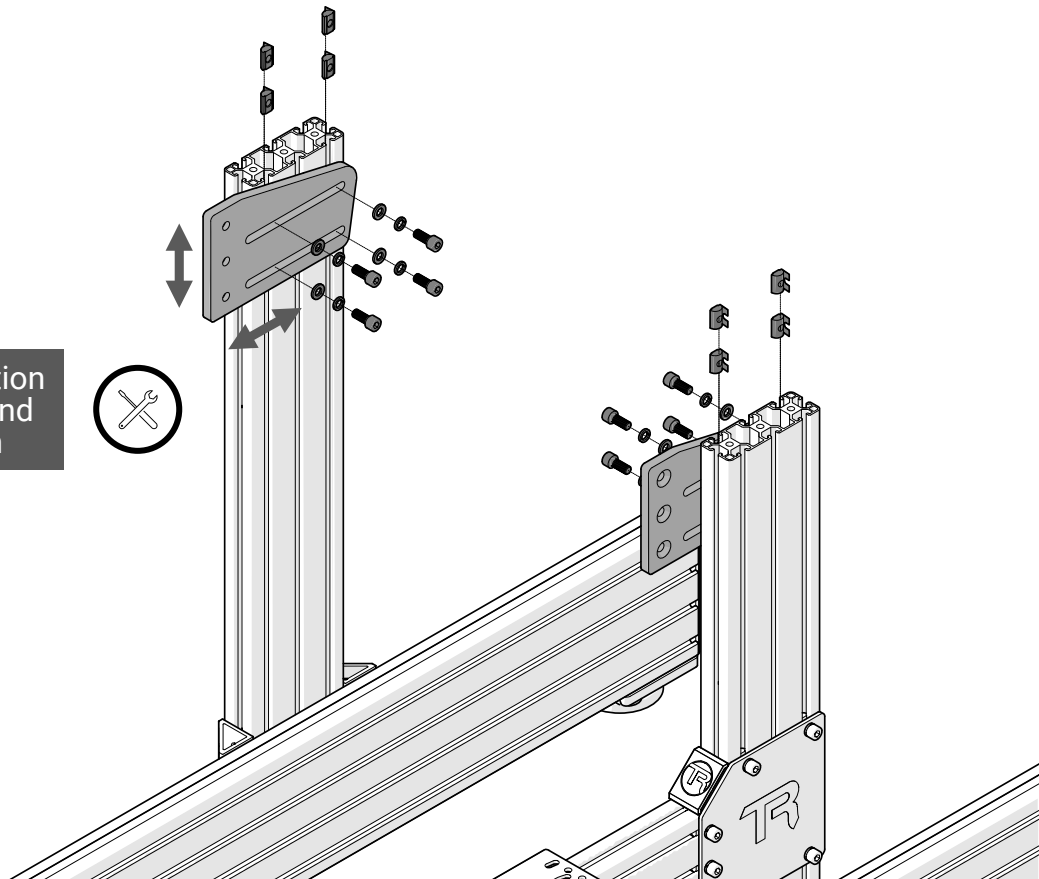


WF-M8 x8

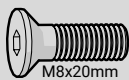


WM-TR1-PP x2

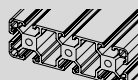
NOTE: Adjust position
after wheelbase and
seat installation



2



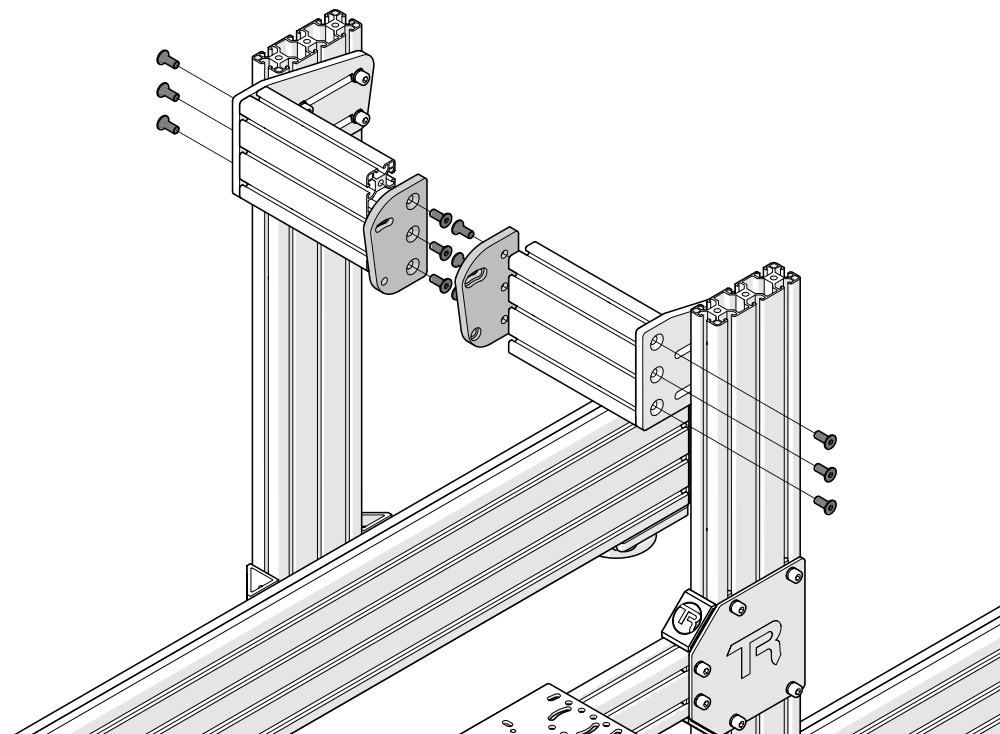
SF-M8-20 x12
M8x20mm



AT-120-180 x2



WM-TR1-WP x2

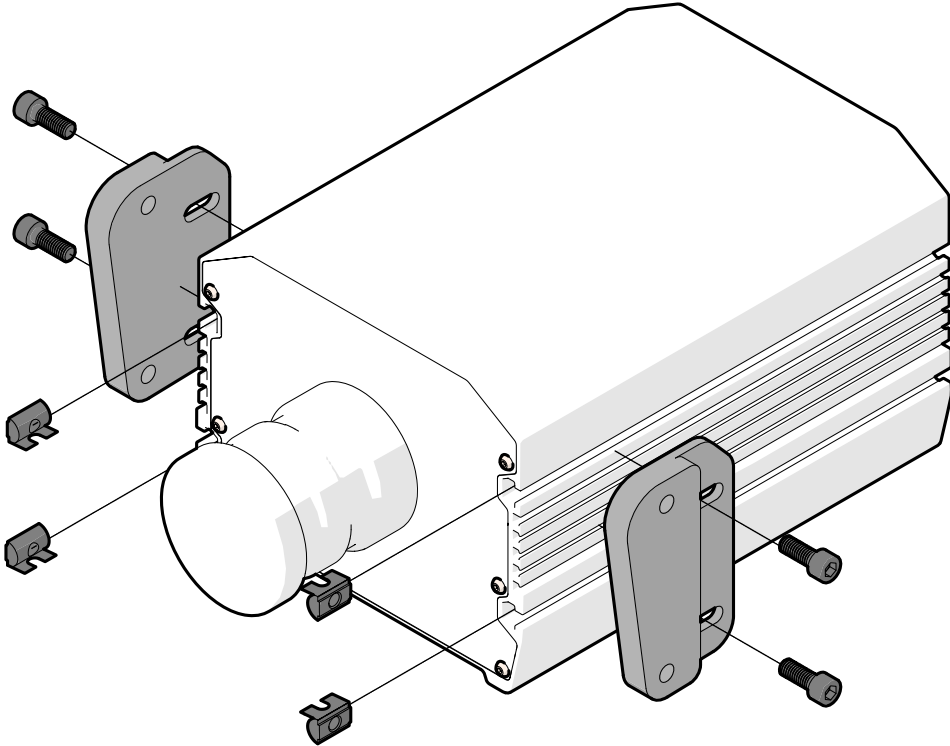


3

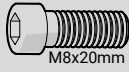
Note: Use screws and t-nuts provided with wheelbase.



WM-TR1-SM **x2**

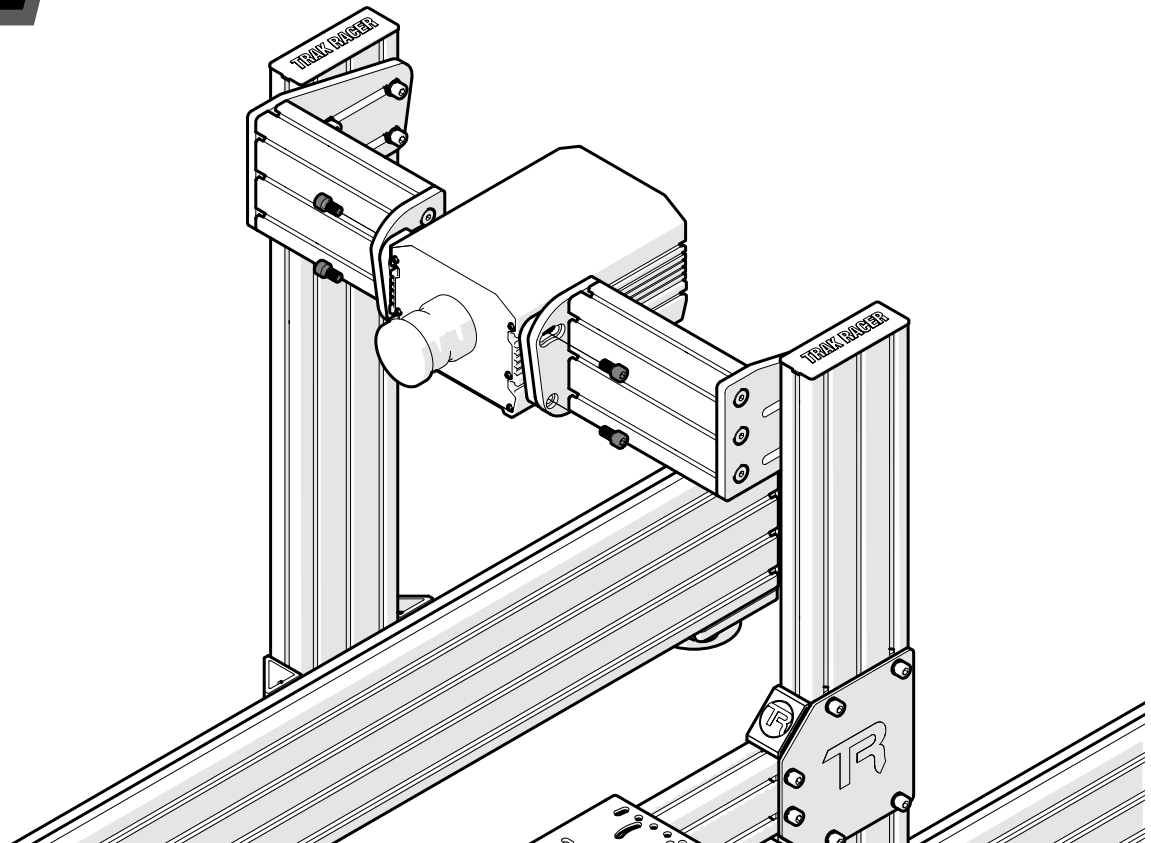


4

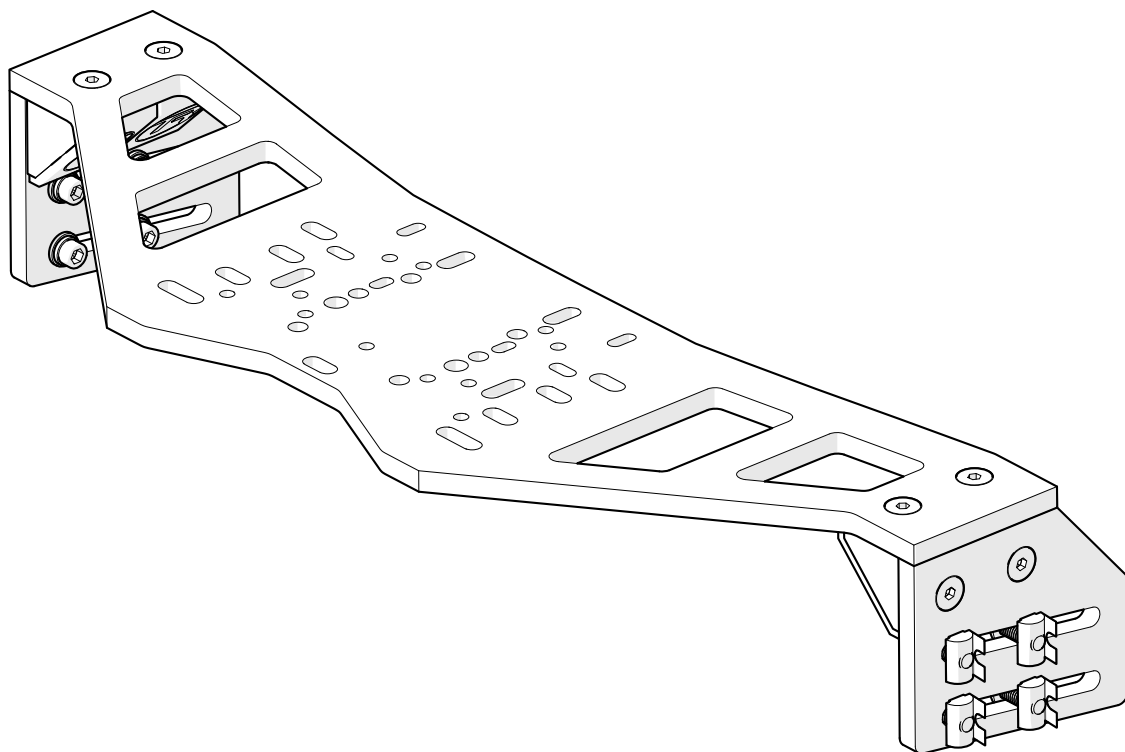


M8x20mm

SH-M8-16 **x4**



Wheel Mount Option 5



Universal Wheel Base Plate

Part #	Description	QTY	Check
BOX #: TR80-WMPLATE			
SH-M8-20	Screw (Hex), M8x20	8	
SF-M8-20	Screw (Flat), M8x20	8	
SH-M6-20	Screw (Hex), M6x20	4	
WF-M8	Washer (Flat), M8	8	
WL-M8	Washer (Lock), M8	8	
NF-M8	Nut (Flange), M8	8	
NS-M8	T-Nut (Spring), M8	8	
BC-40	Bracket, Corner with Cap, 40x40	4	
WM-WMP-DP	Wheel Mount, Universal, Deck Plate	1	
WM-WMP-PP	Wheel Mount, Universal, Profile Plates	2	

* **NOTE:** Extra hardware may be included as spare parts

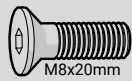
TR80-WMPLATE



TRAK RACER

Published 2022-07-11

1



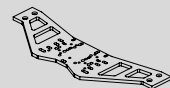
SF-M8-20 x4



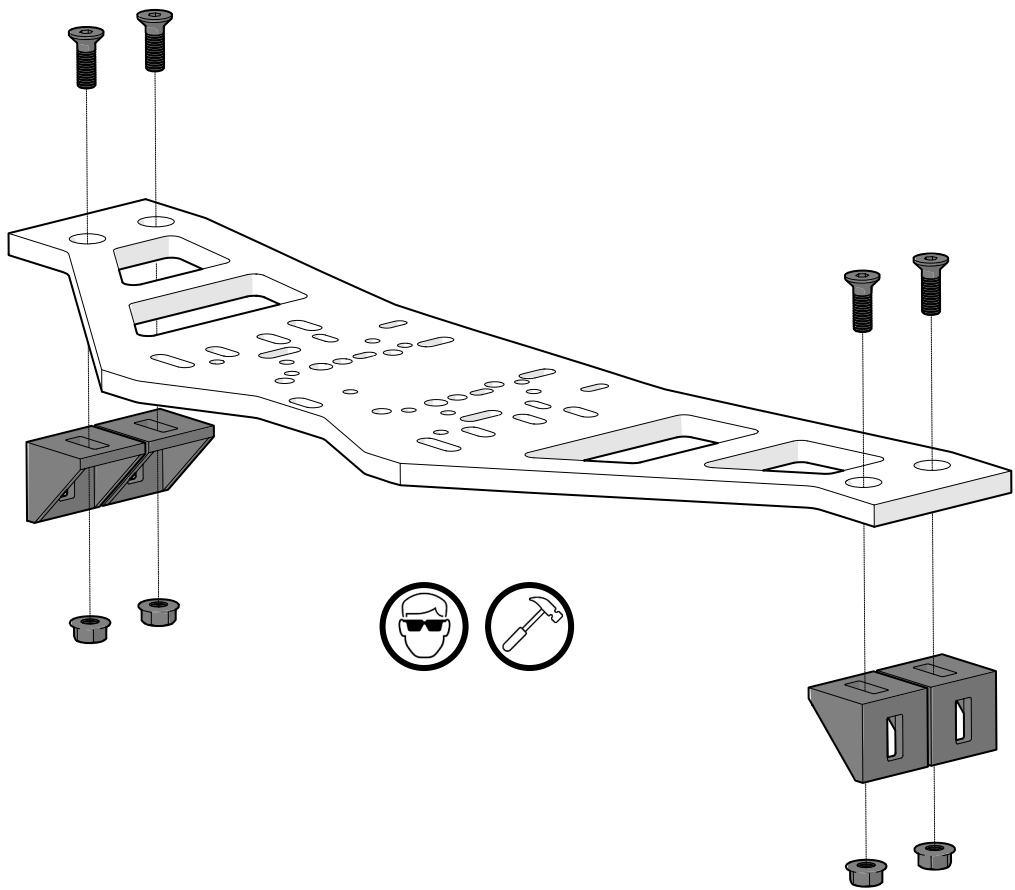
NF-M8 x4



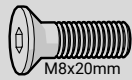
BC-40 x4



WM-WMP-DP x1



2



SF-M8-20 x4



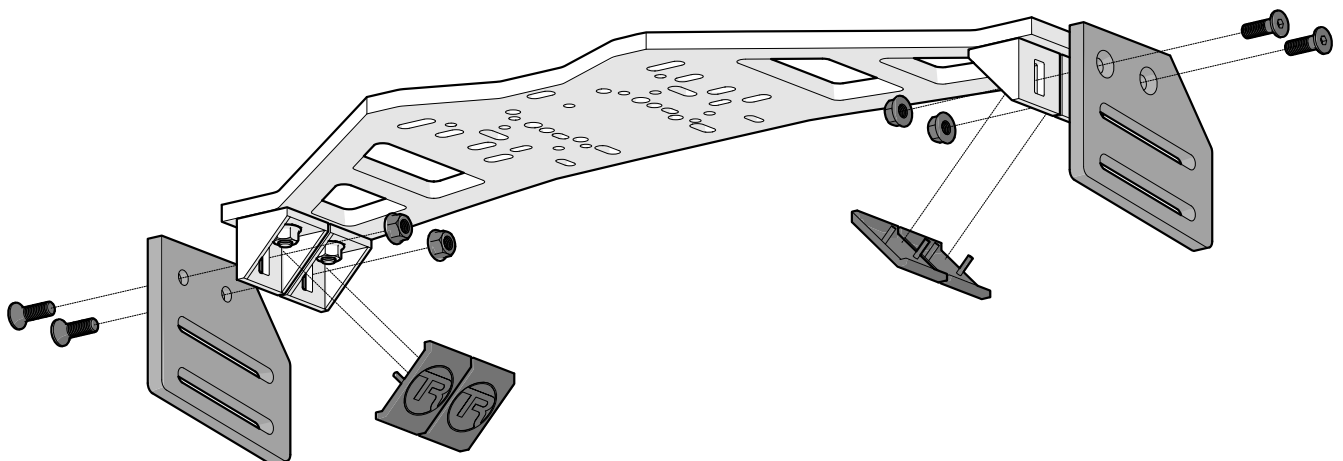
NF-M8 x4



WM-WMP-PP x4



BC-40 x4



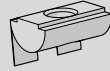
3



SH-M8-20 x8

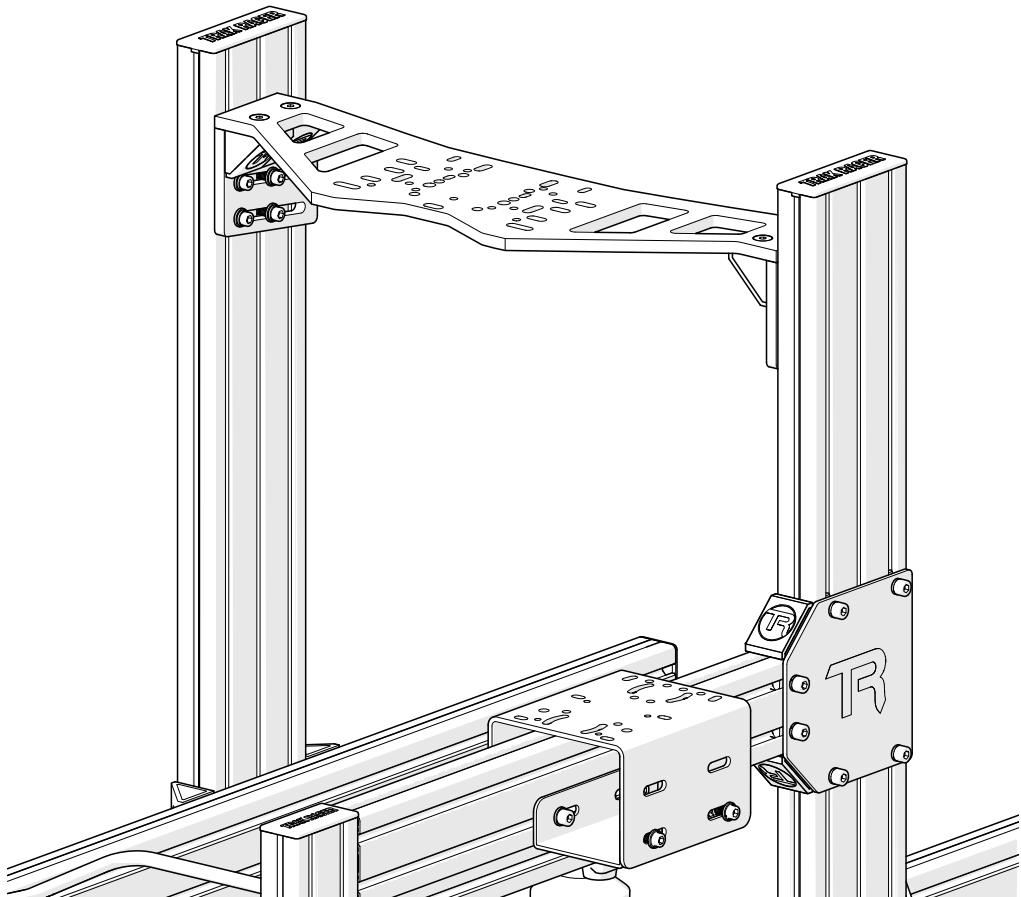
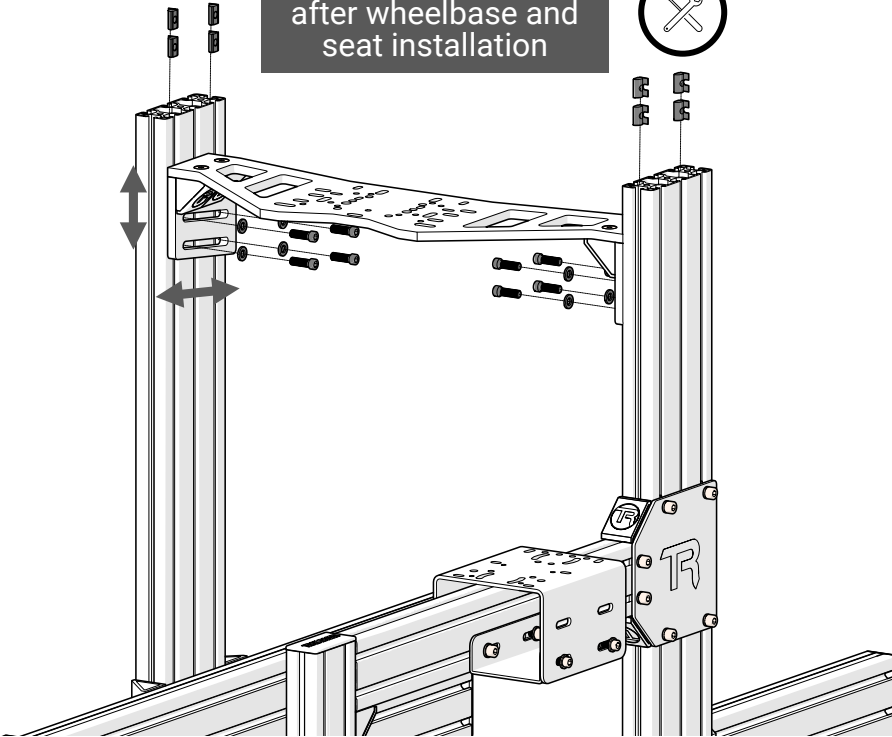


WF-M8 x8



NS-M8 x8

NOTE: Adjust position after wheelbase and seat installation



FINISHED



Share your build online and tag us to be featured!



@trakracer



@trakracer



@trak_racer