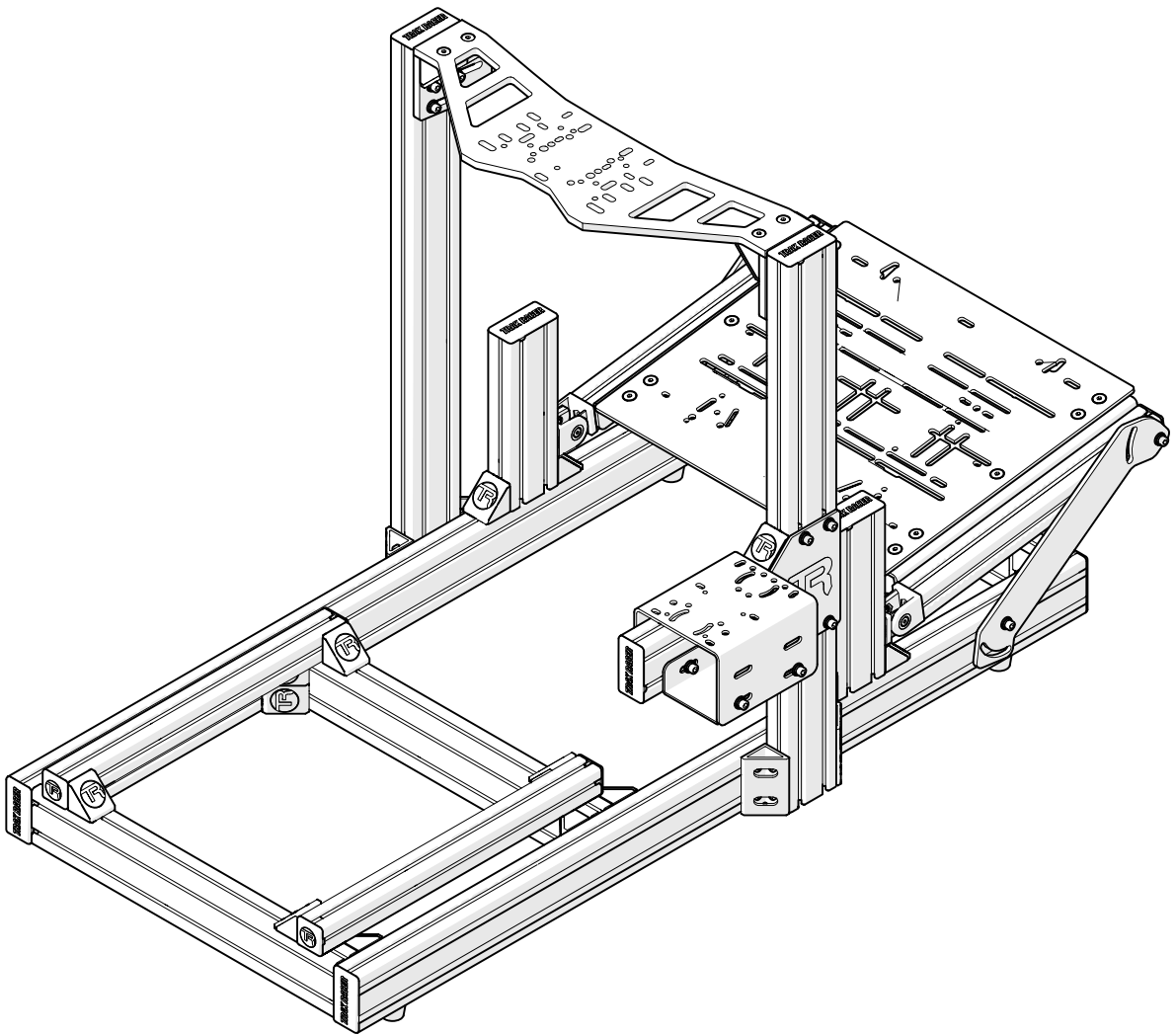


TR80

Assembly Guide



IMPORTANT: As there are different versions of each rig depending on your region, please ensure that you are using the correct instruction set. The part number below should match the part number labeled on your box

TR805-BLK



TRAK RACER

Published 2022-07-17

TABLE OF CONTENTS

3 Part list

4 Symbol Legend

5 Assembly Notes

10 TR805-BLK Assembly Instructions

18 Seat Slider Option

20 Recliner seat installation

24 GT/Rally seat installation

26 Wheel Mount Option 1

29 Wheel Mount Option 2

32 Wheel Mount Option 3

35 Wheel Mount Option 4

38 Wheel Mount Option 5



IMPORTANT: As there are different versions of each rig depending on your region, please ensure that you are using the correct instruction set. The part number below should match the part number labeled on your box



IMPORTANT: Due to the nature of cut aluminium profile, some metal shavings may still be present after our extensive QA cleaning process. We recommend that boxes and packaging is opened on a hard floor.



NOTE: Some screws and washers are pre-installed. These will be part of the parts list and will need to be loosened and reattached according to the instructions.



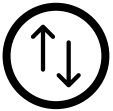
Two people needed



Tighten hardware



Leave hardware loose for adjustment



Make Adjustment



Break tab off Corner bracket CB1



Safety glasses needed



Attention / Priority



Reserve for following step



Mirrored Components (Same on both sides)



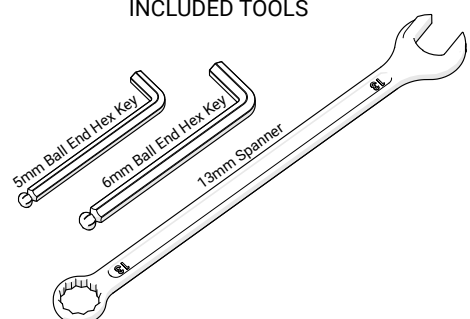
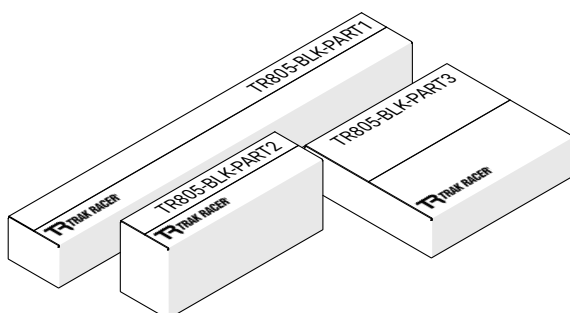
IMPORTANT: As there are different versions of each rig depending on your region, please ensure that you are using the correct instruction set. The part number below should match the part number labeled on your box

TR805-BLK PARTS LIST

Part #	Description	QTY	Check
BOX #: TR805-BLK-PART1			
PS-1200-R	Profile strip, 1200mm Red	4	
PS-460-R	Profile strip, 460mm Red	2	
AL-80-1200	Aluminum Profile, 40x80x1200mm	2	
AL-80-780	Aluminum Aluminum Profile, 40x80x780mm	2	
AT-40-400	Aluminum Profile (Threaded), 40x40x400mm	2	
AL-40-460	Aluminum Profile, 40x40x460mm	2	
BOX #: TR805-BLK-PART2			
EC-40	End Cap, 40x40	6	
EC-80	End Cap, 40x80	9	
FR-01	Feet, Rubber	4	
SH-M6-20	Screw (Hex), M6x20	4	
NS-M6	T-Nut (Spring), M6	4	
CC-01	Cable Management clips	10	
TK-M8	Tool Kit, M8	1	
NF-M8	Nut (Flange), M8	12	
WF-M8	Washer (Flat), M8	30	
WL-M8	Washer (Lock), M8	26	
SH-M8-16	Screw (Hex), M8x16	8	
SH-M8-20	Screw (Hex), M8x20	22	
SF-M8-20	Screw (Flat), M8x20	10	
SL-M8-20	Screw (Handle) M8x20	4	
SS-01	Seat Slider	1	
NS-M8	T-Nut (Spring), M8	28	
PP-80-TP	Pedal Plate, TR80 Top Plate	1	
PP-NP-LB	Pedal Plate, L Bracket	2	
BP-80-H	Bracket (Plate), 80, Horizontal	1	
AJ-4040	Adjustable joint	2	
PP-80-SM	Pedal Plate, TR80 Side Mount	2	
BA-80-BLK	Bracket, Anodized corner, 40x80, Black	4	
BOX #: TR805-BLK-PART3			
BC-40	Bracket, Corner with Cap, 40x40	22	
WF-M8	Washer (Flat), M8	46	
WL-M8	Washer (Lock), M8	46	
SH-M8-20	Screw (Hex), M8x20	46	
NS-M8	T-Nut (Spring), M8	62	
AL-80-500	Aluminum Aluminum Profile, 40x80x500mm	3	
AL-80-240	Aluminum Aluminum Profile, 40x80x240mm	2	
AL-80-300	Aluminum Aluminum Profile, 40x80x300mm	1	
SM-01	Shifter Mount	1	
SM-02	Shifter Bracket	1	
SH-M8-16	Screw (Hex), M8x16	16	

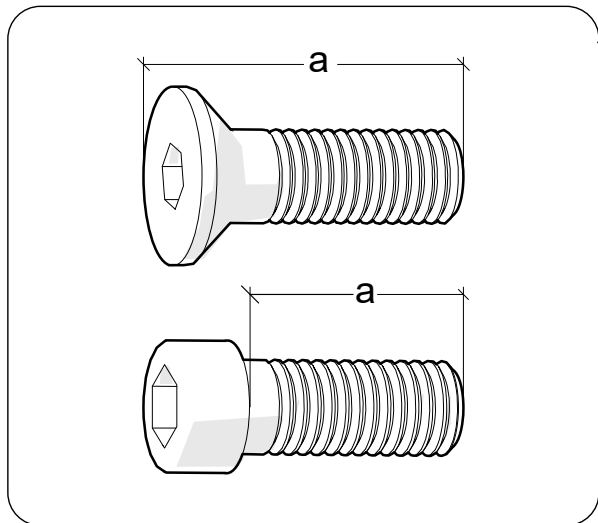
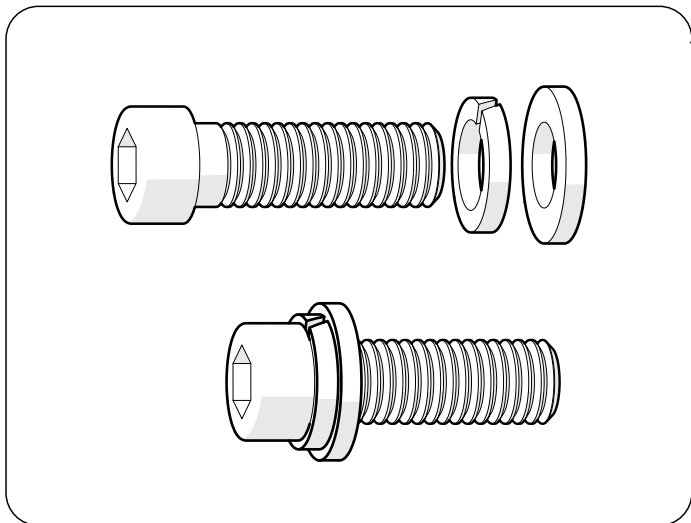
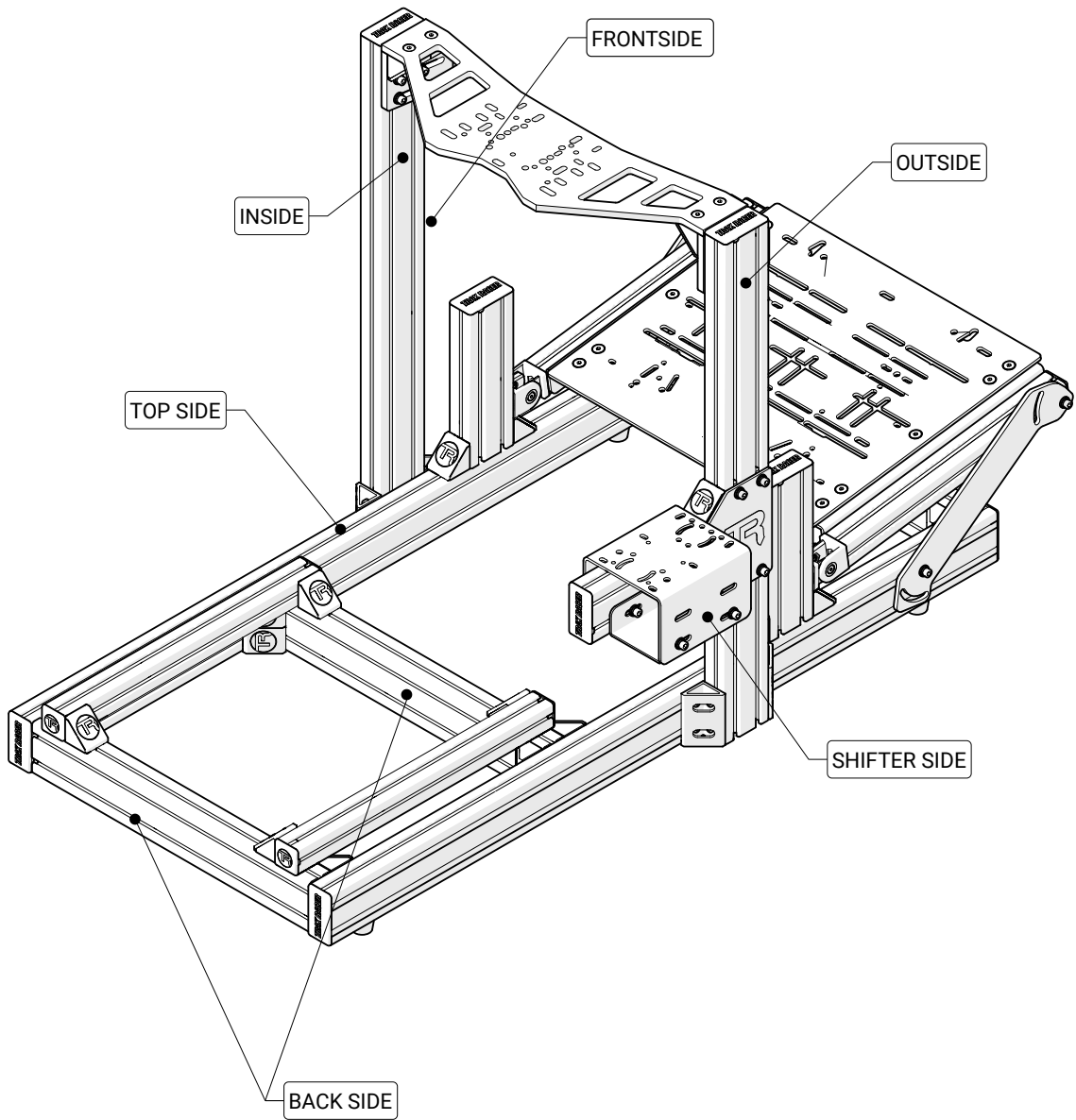
* **NOTE:** Extra hardware may be included as spare parts

INCLUDED TOOLS



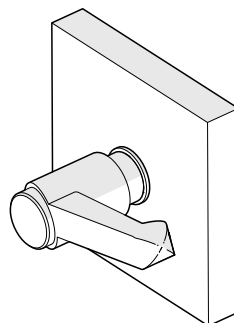
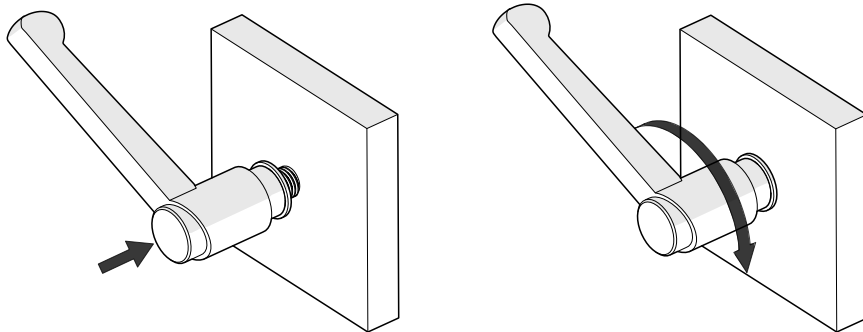
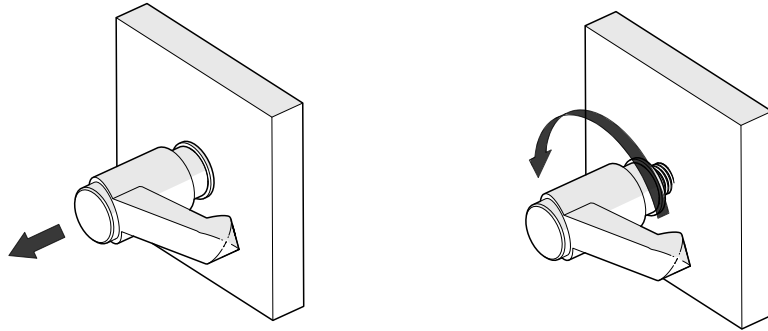
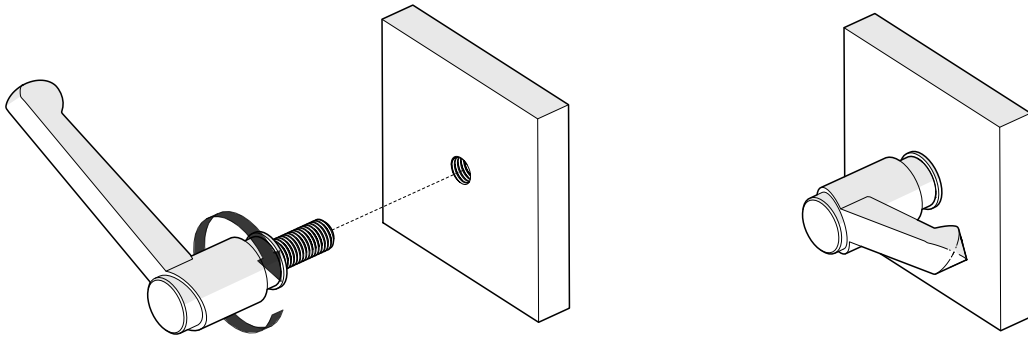
If you have any issues, please contact us at support@trakracer.com

NOTE



NOTE

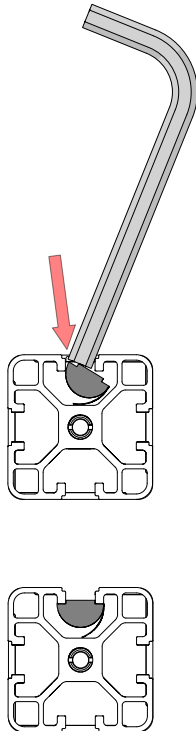
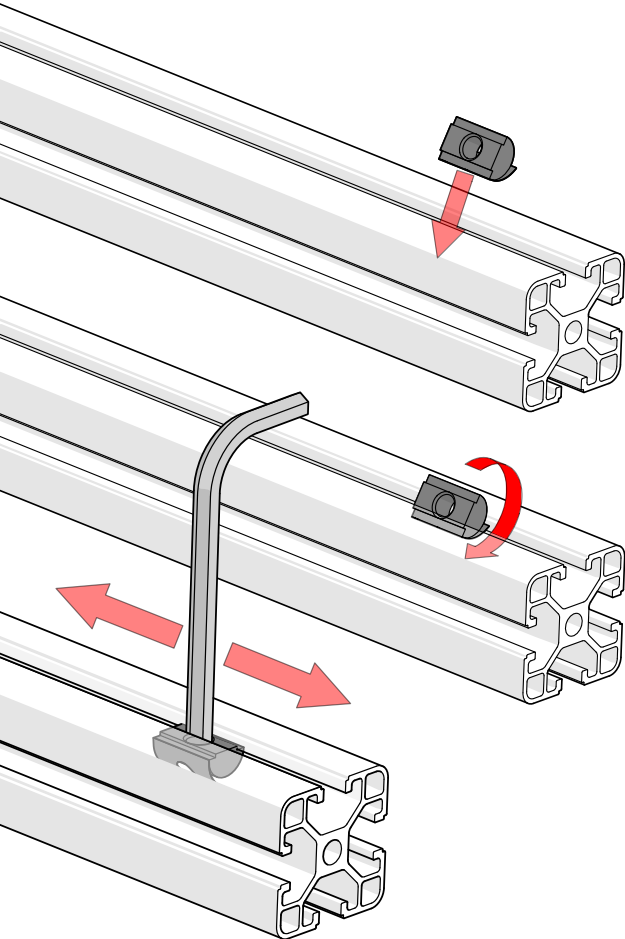
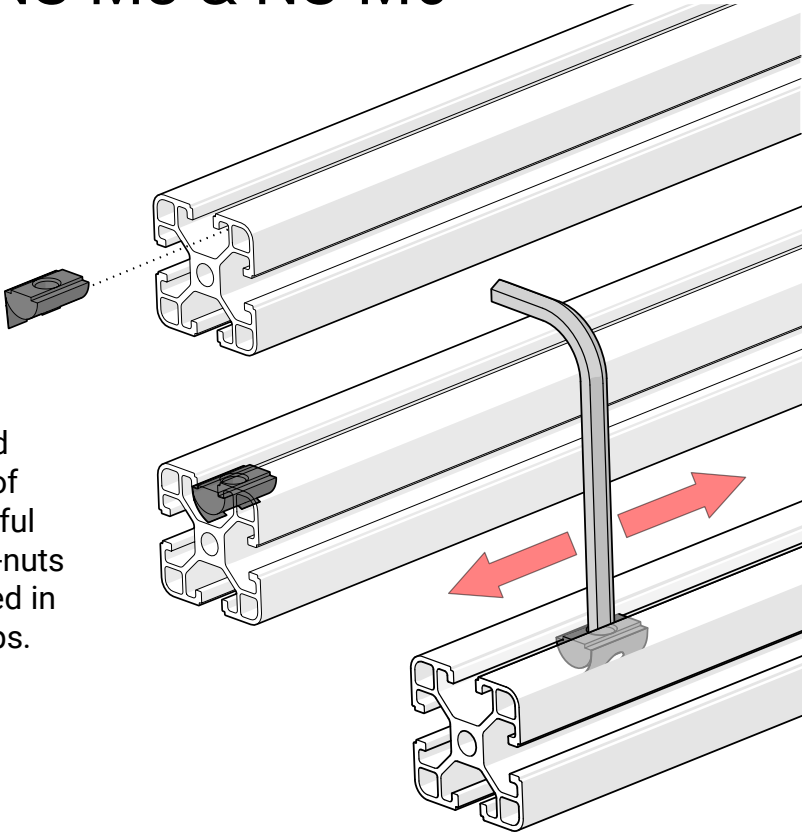
The handle screws (SL-M8-20 & SL-M8-25) are ratcheted to allow for tightening and loosening when space for rotation is limited. Simply pull the handle out and turn handle into position and push handle back in to engage thread.



NOTE

NS-M8 & NS-M6

It is strongly advised that spring T-Nuts are inserted by sliding from the ends of profiles. Please take careful note of each step of all T-nuts as some are to be installed in anticipation of future steps.

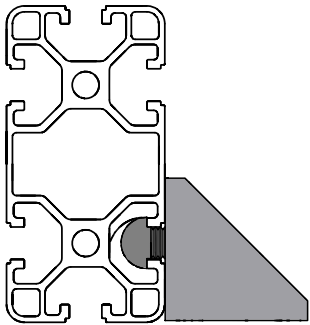
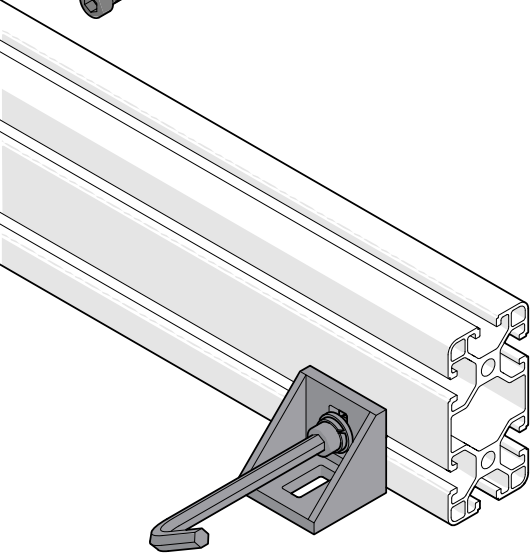
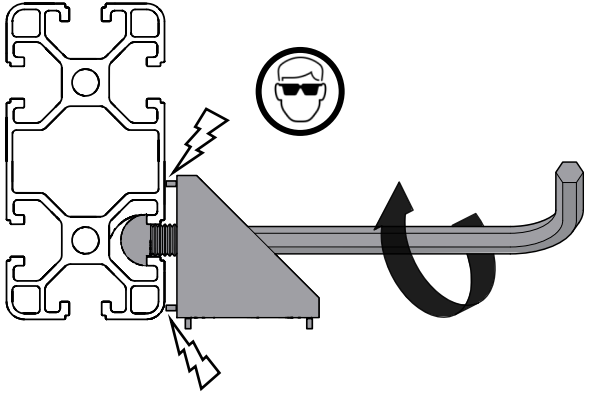
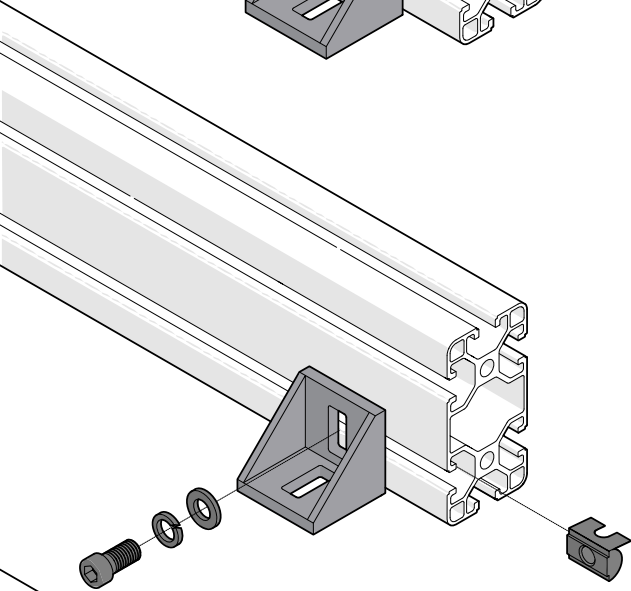
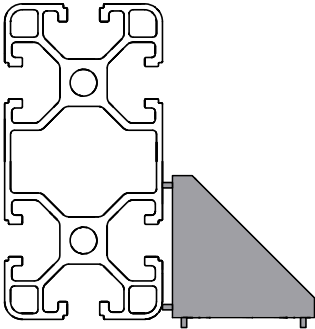
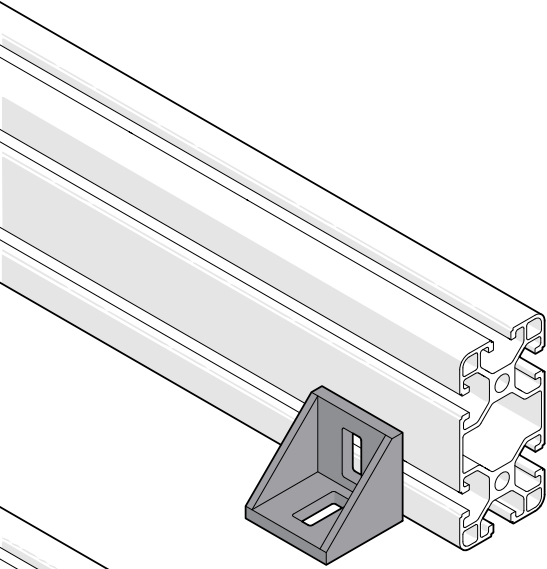


If T-Nuts are skipped, and the ends are no longer accessible, they can be inserted by "rocking" them in from the outer face as shown.

Use the provided allen key to push the T-Nut into position and place the hole to slide into position.

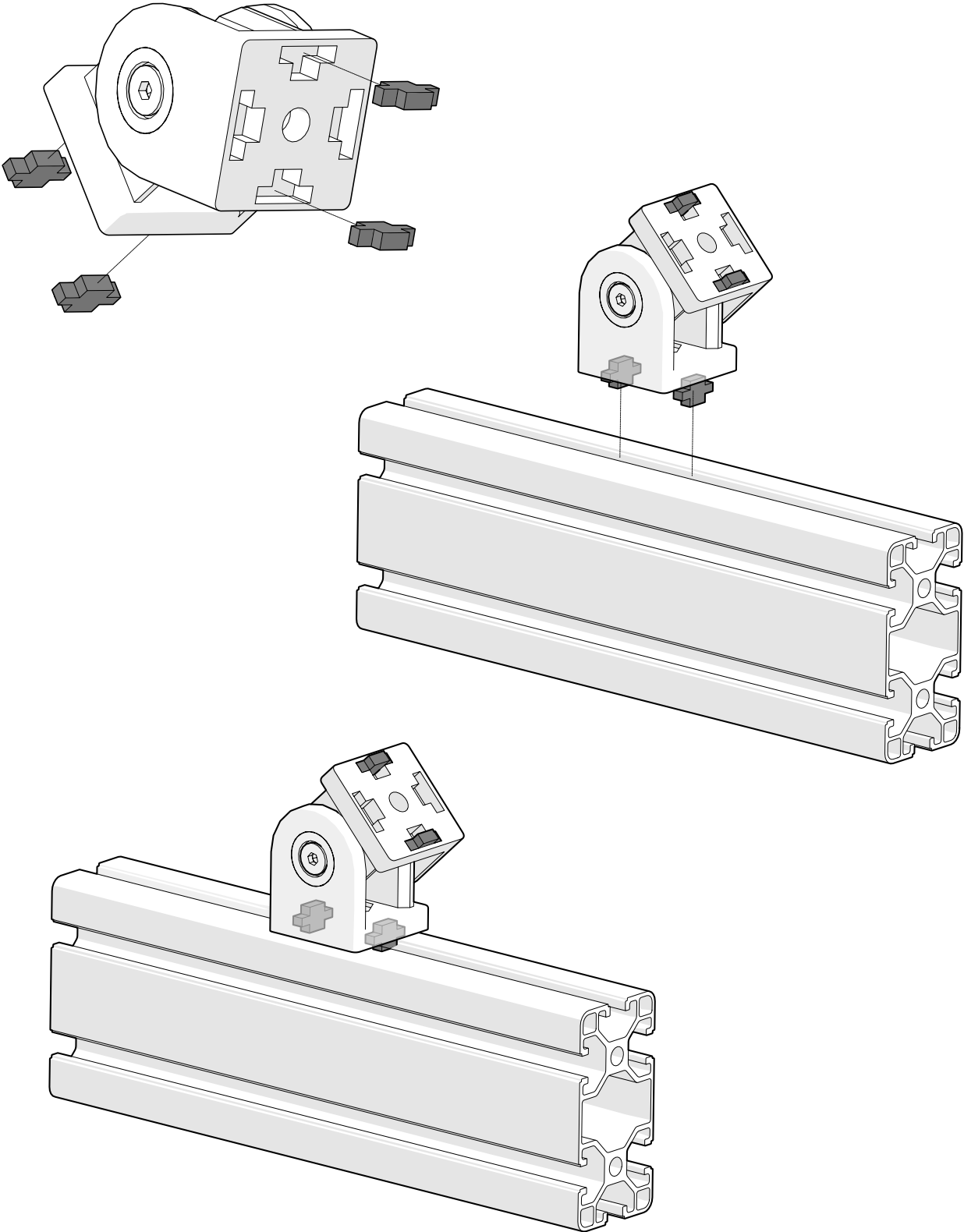
NOTE

BC-40



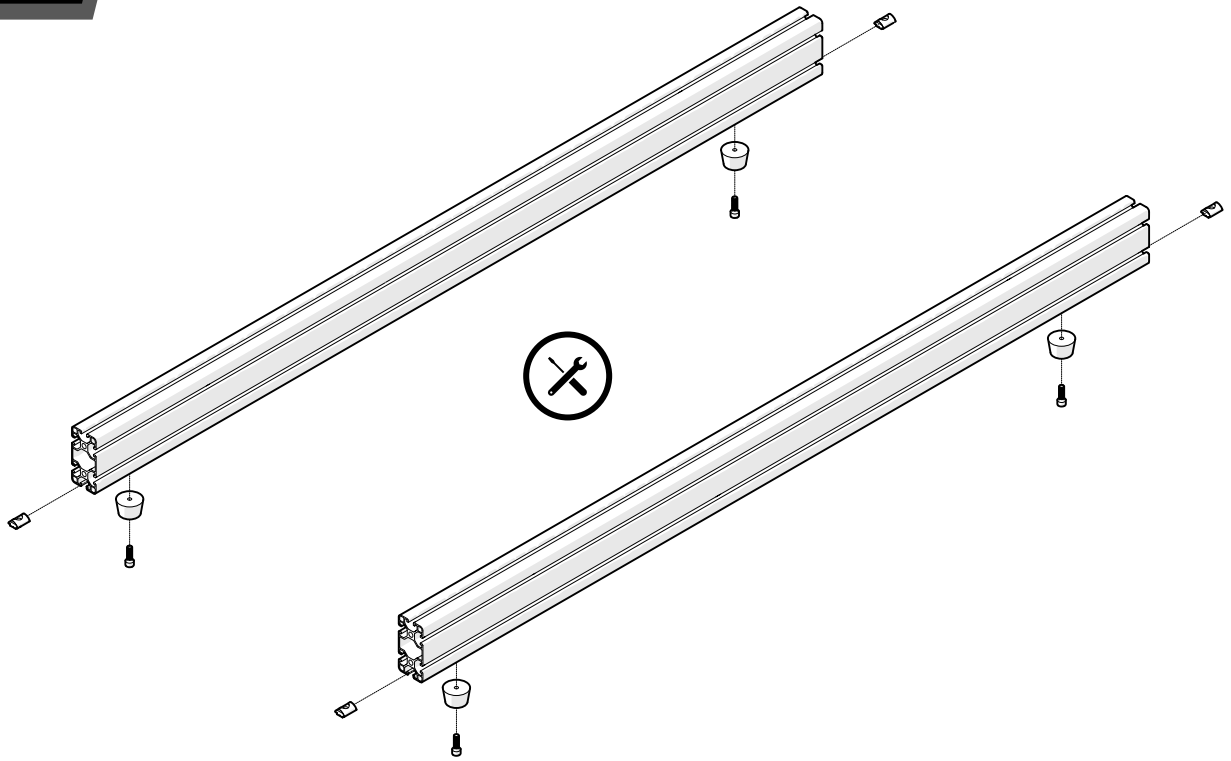
NOTE

AJ-4040



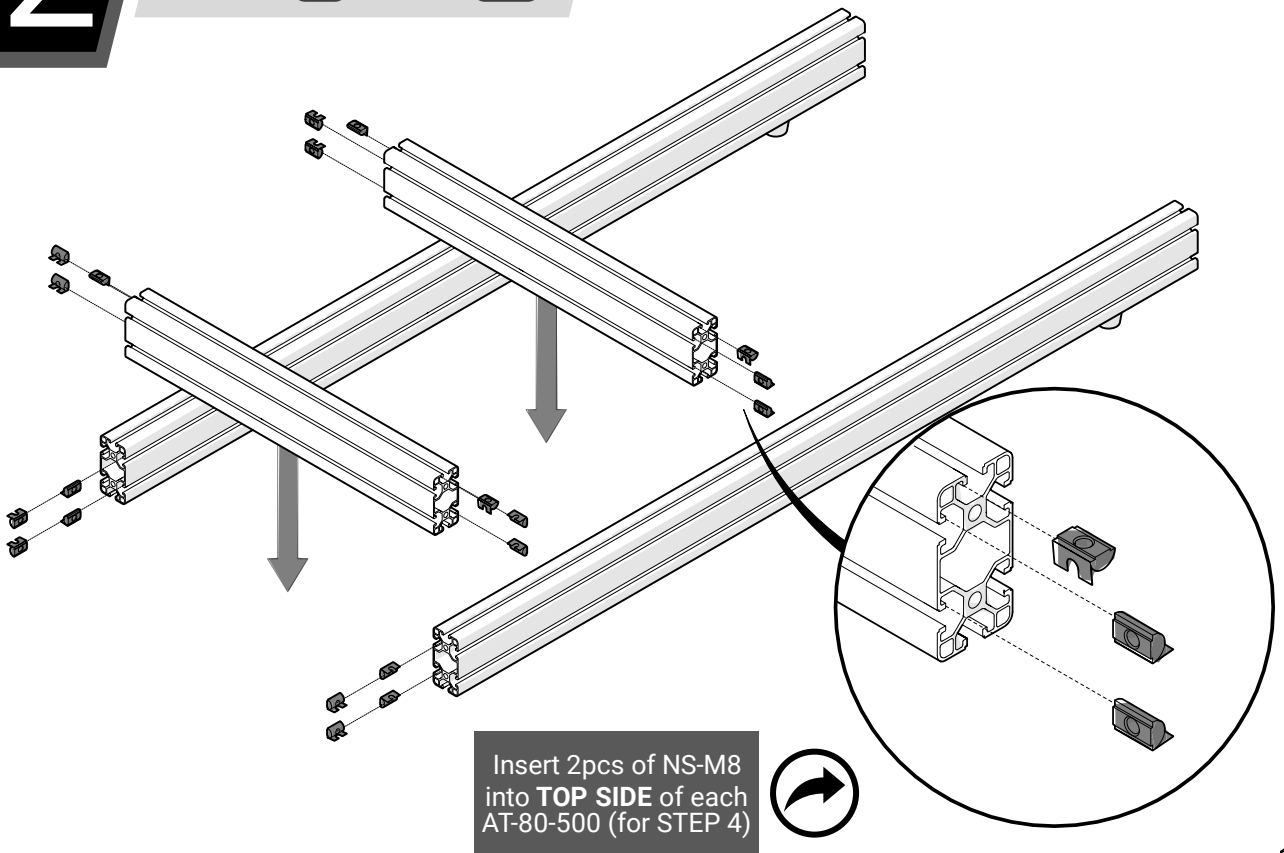
1

-  AT-80-1200 **x2**
-  NS-M6 **x4**
-  FR-01 **x4**
-  SH-M6-20 **x4**
M6x20mm



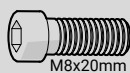
2

-  AL-80-500 **x2**
-  NS-M8 **x20**



Insert 2pcs of NS-M8 into **TOP SIDE** of each AT-80-500 (for STEP 4)

3



M8x20mm

SH-M8-20 x16



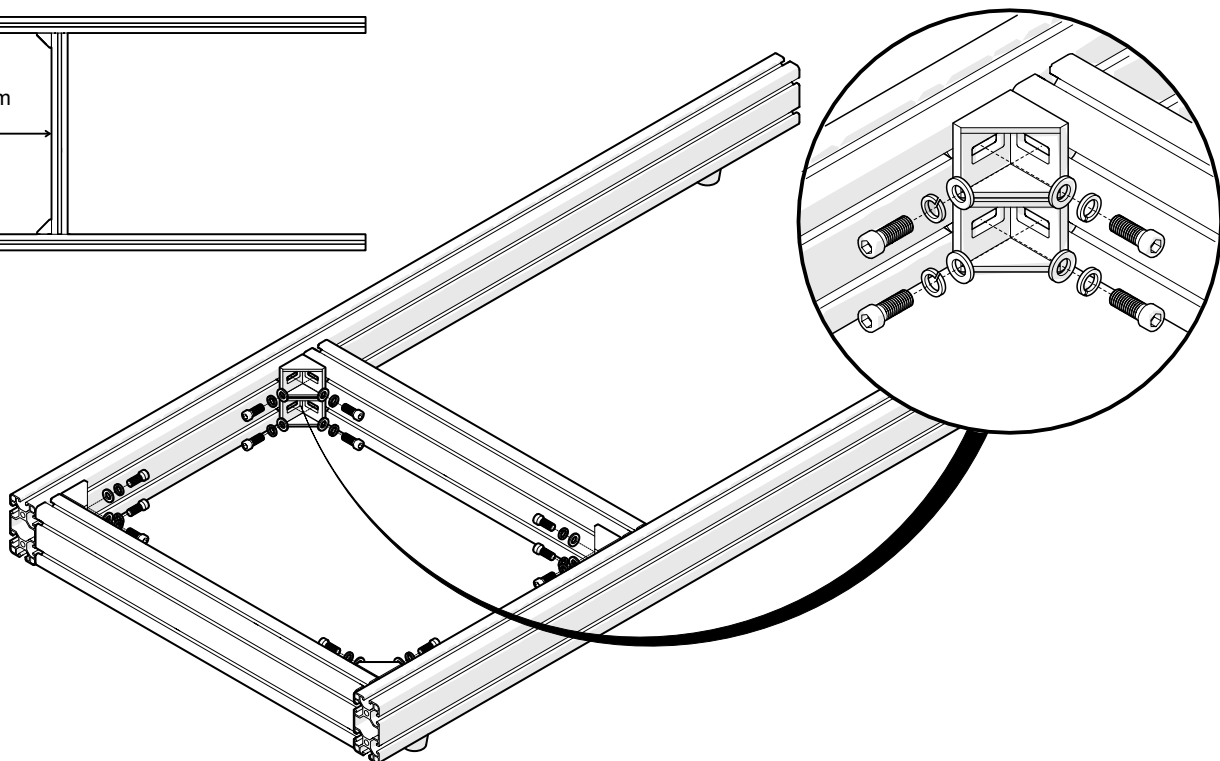
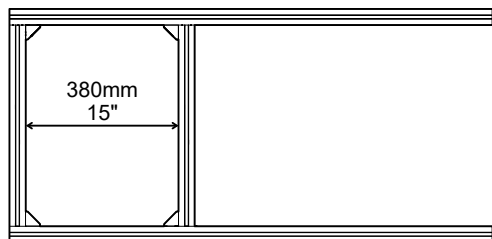
WL-M8 x16



WF-M8 x16



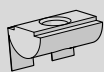
BC-40 x8



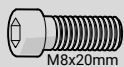
4



AL-40-460 x2



NS-M8 x4



M8x20mm

SH-M8-20 x8



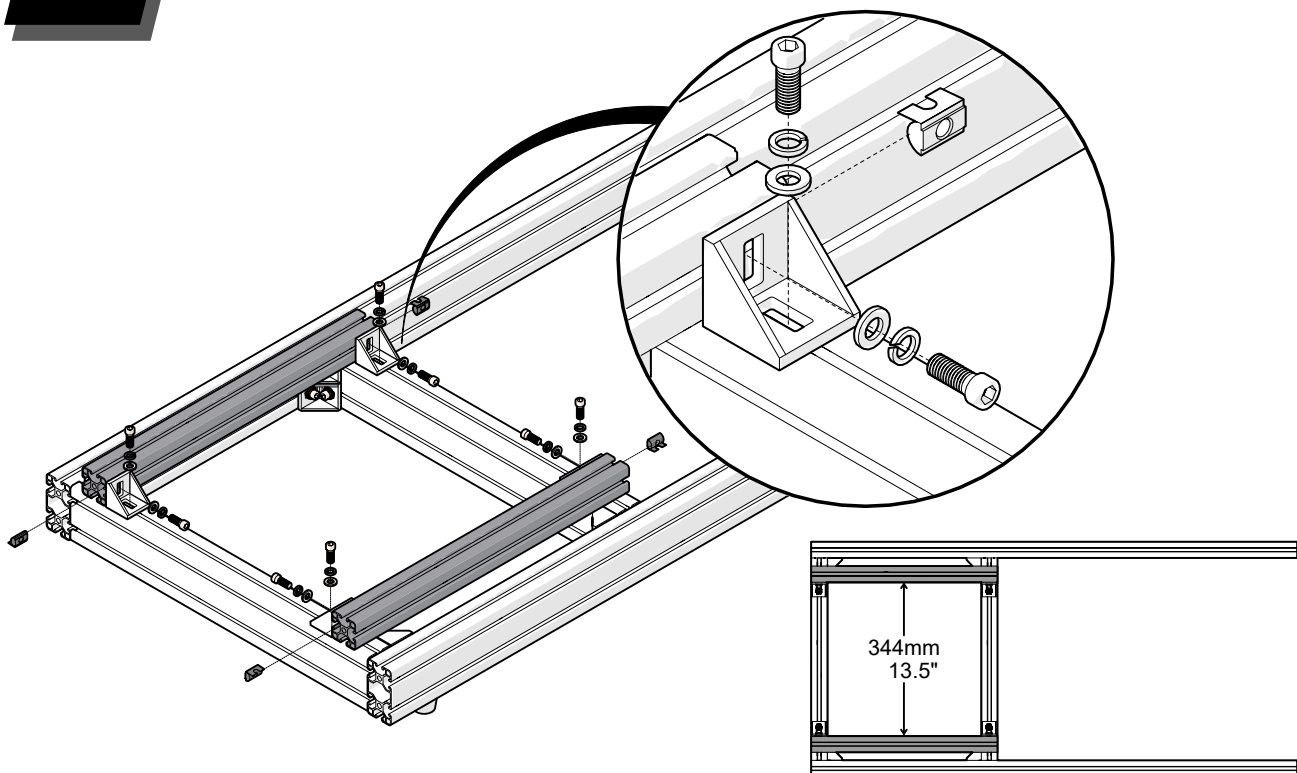
WL-M8 x8



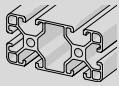
WF-M8 x8



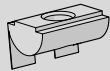
BC-40 x4



5



AL-80-780 x2



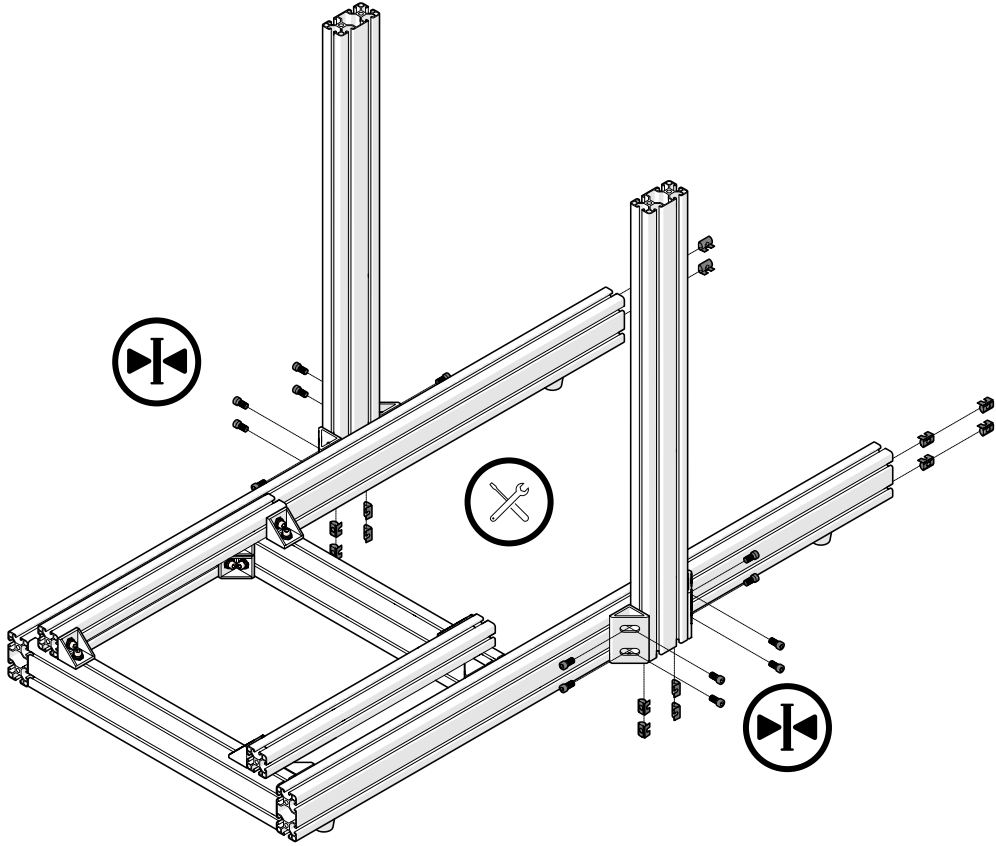
NS-M8 x16



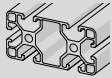
SH-M8-16 x16



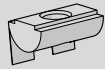
BA-80-BLK x16



6



AL-80-240 x2



NS-M8 x8



SH-M8-20 x4



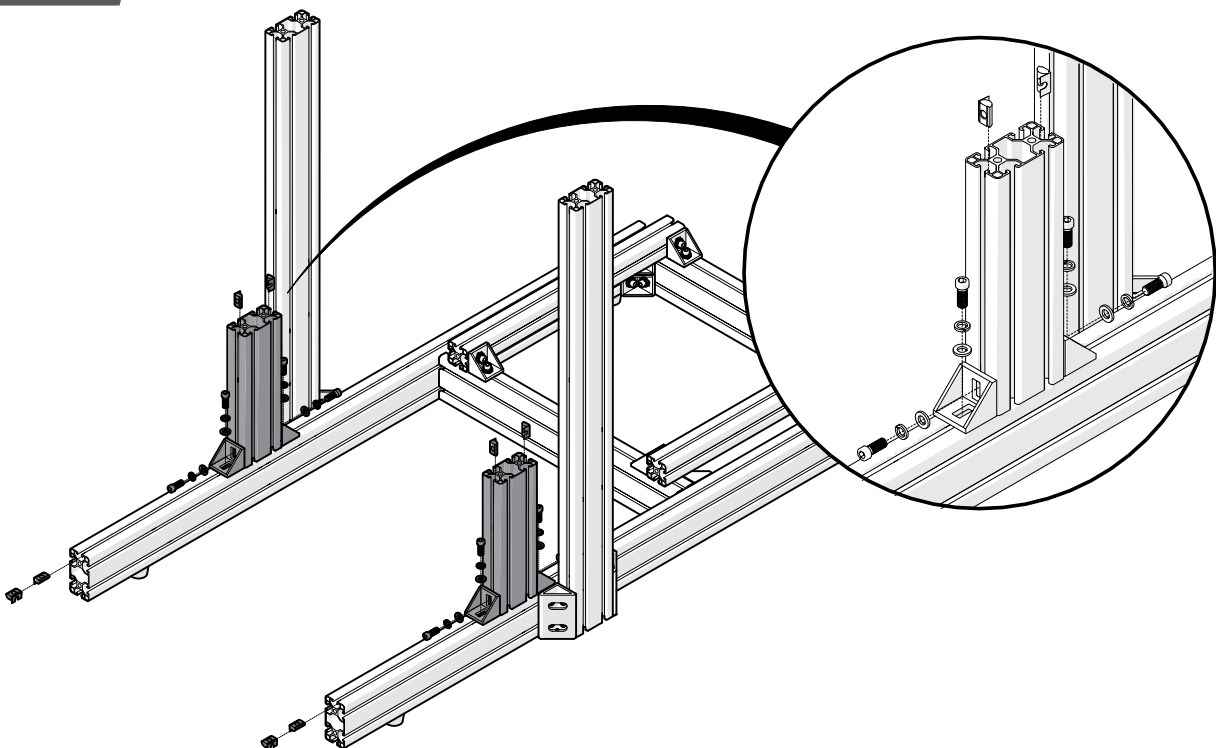
WL-M8 x8



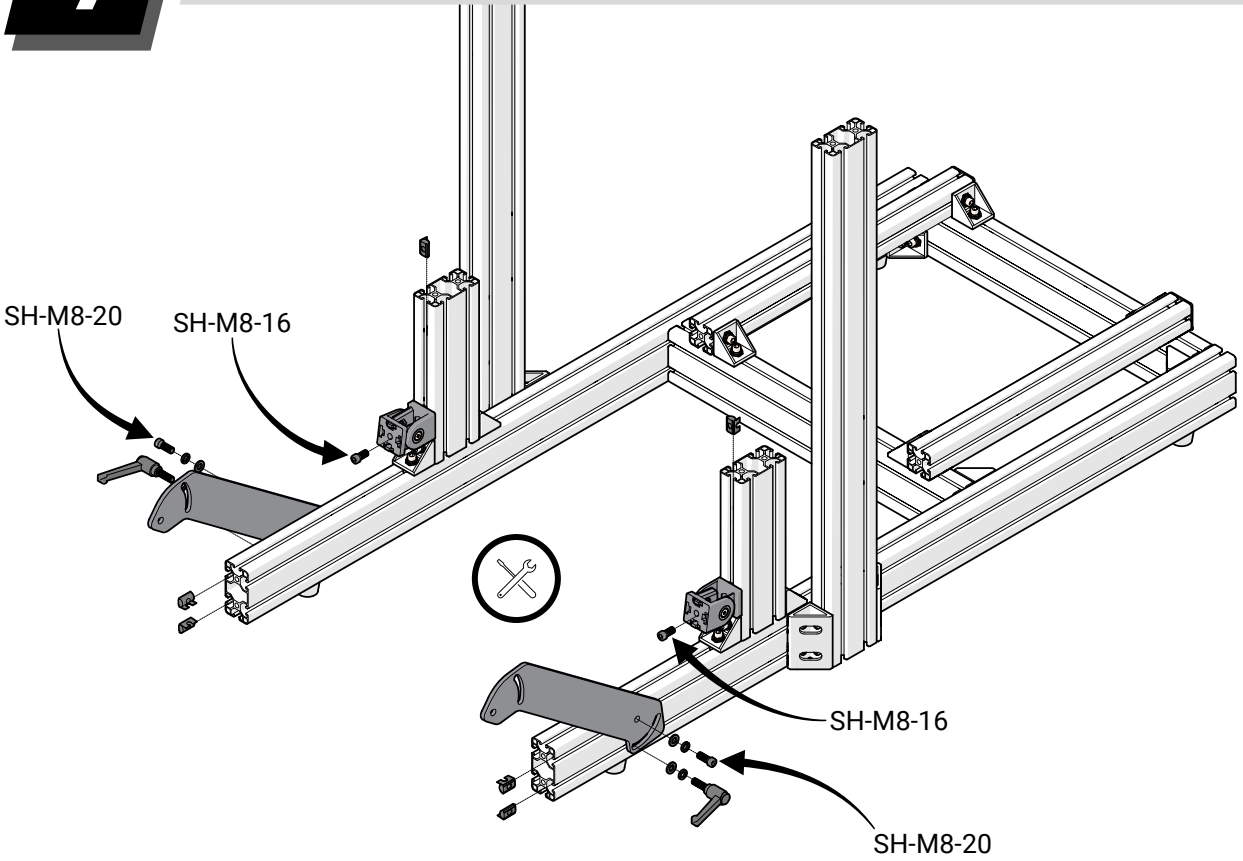
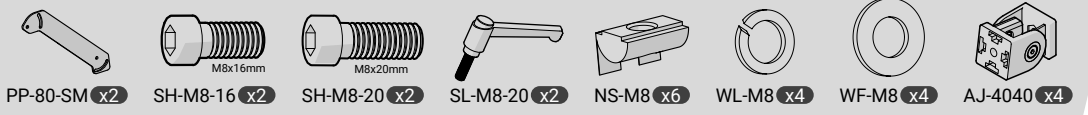
WF-M8 x8



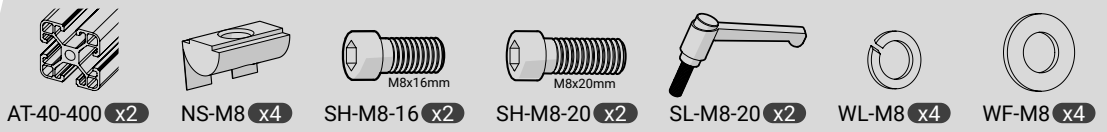
BC-40 x4



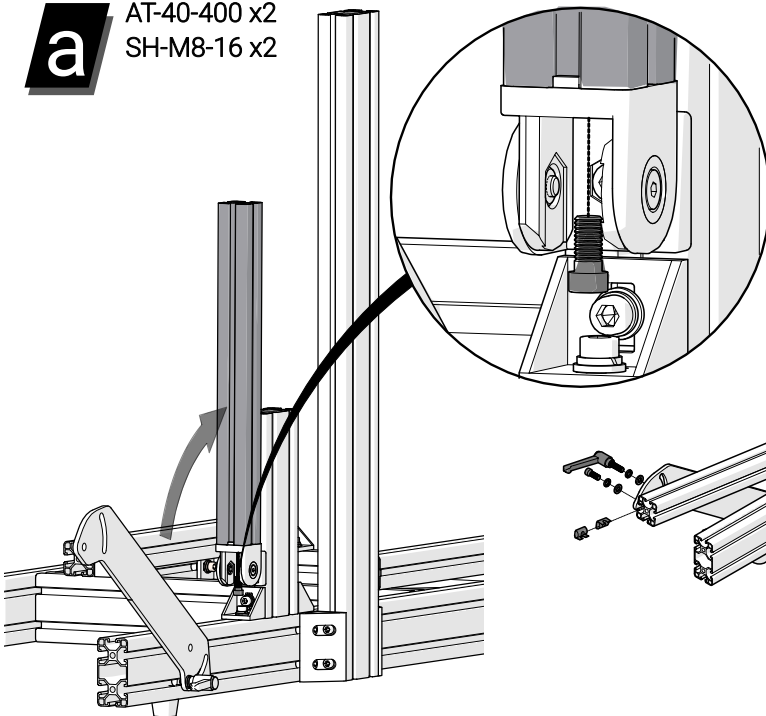
7



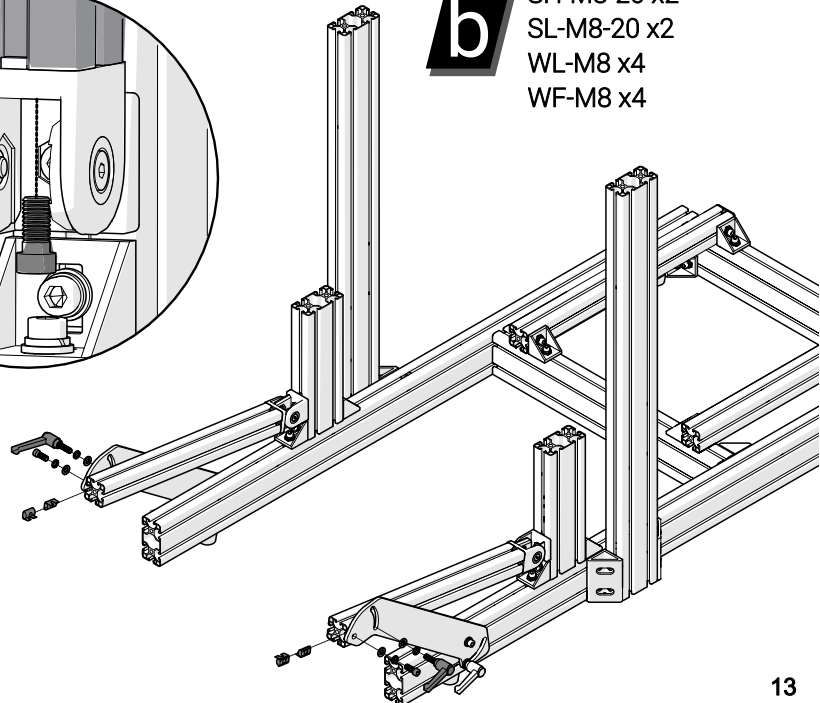
8



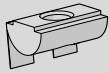
a AT-40-400 x2
SH-M8-16 x2



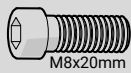
b SH-M8-20 x2
SL-M8-20 x2
WL-M8 x4
WF-M8 x4



9



NS-M8 x8



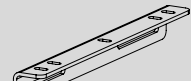
SH-M8-20 x12



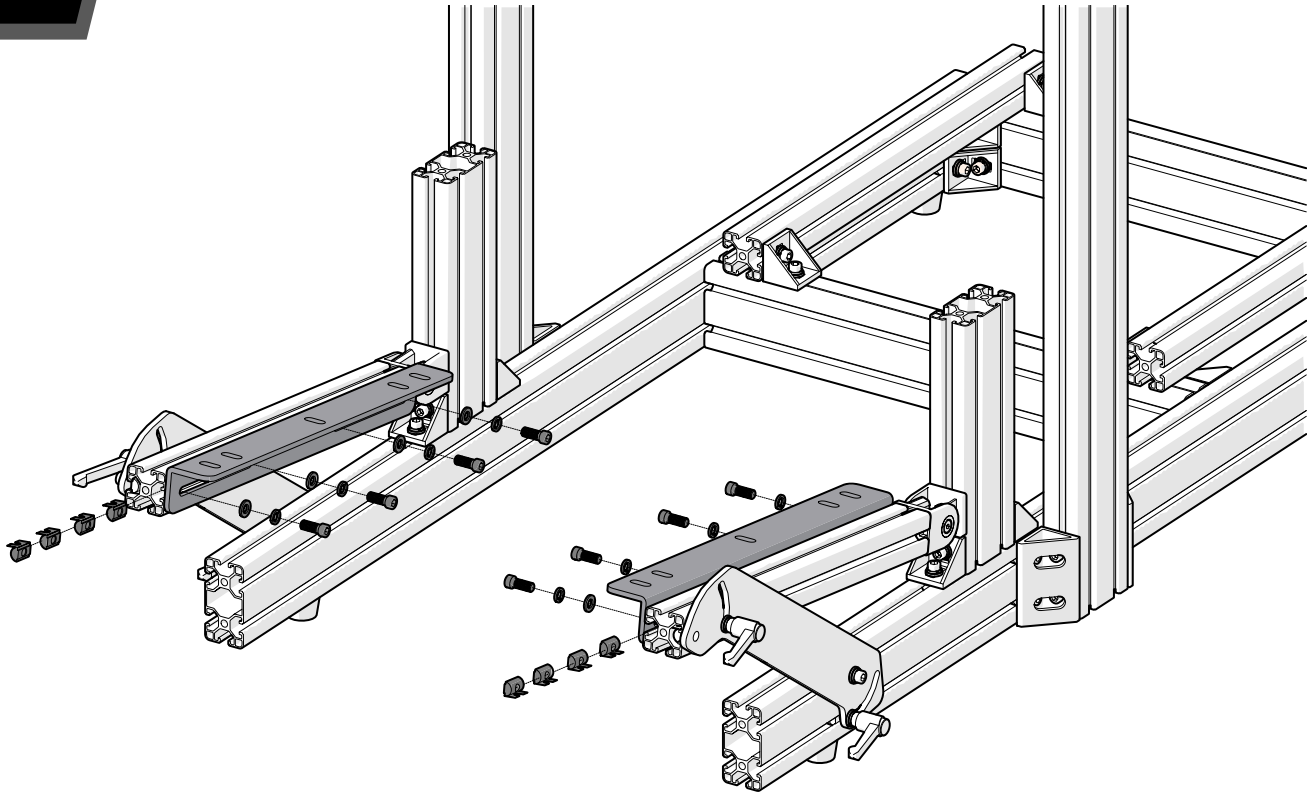
WL-M8 x8



WF-M8 x8



PP-NP-LB x2



10



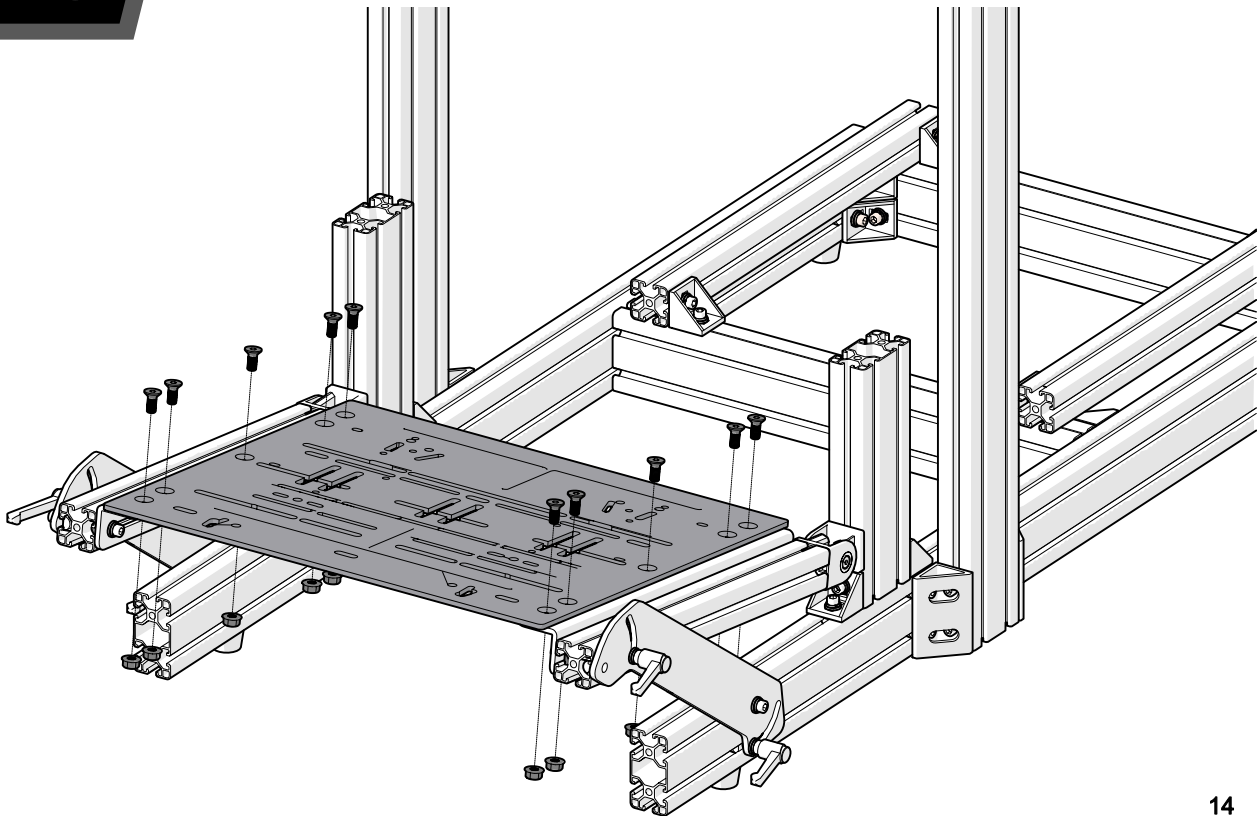
SF-M8-20 x10



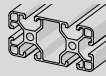
NF-M8 x4



PP-80-TP x1



11



AL-80-500 x1



NS-M8 x8



SH-M8-20 x8



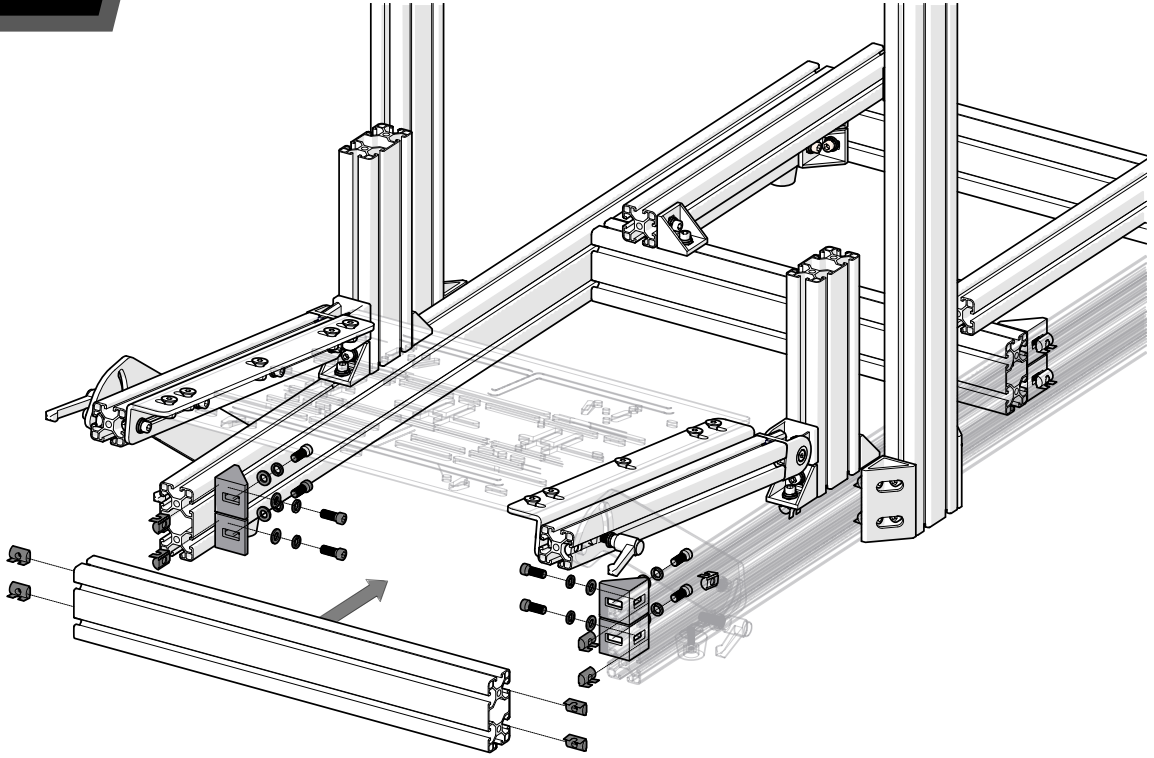
WL-M8 x8



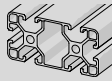
WF-M8 x8



BC-40 x4



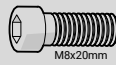
12



AL-80-300 x1



NS-M8 x10



SH-M8-20 x10



WL-M8 x10



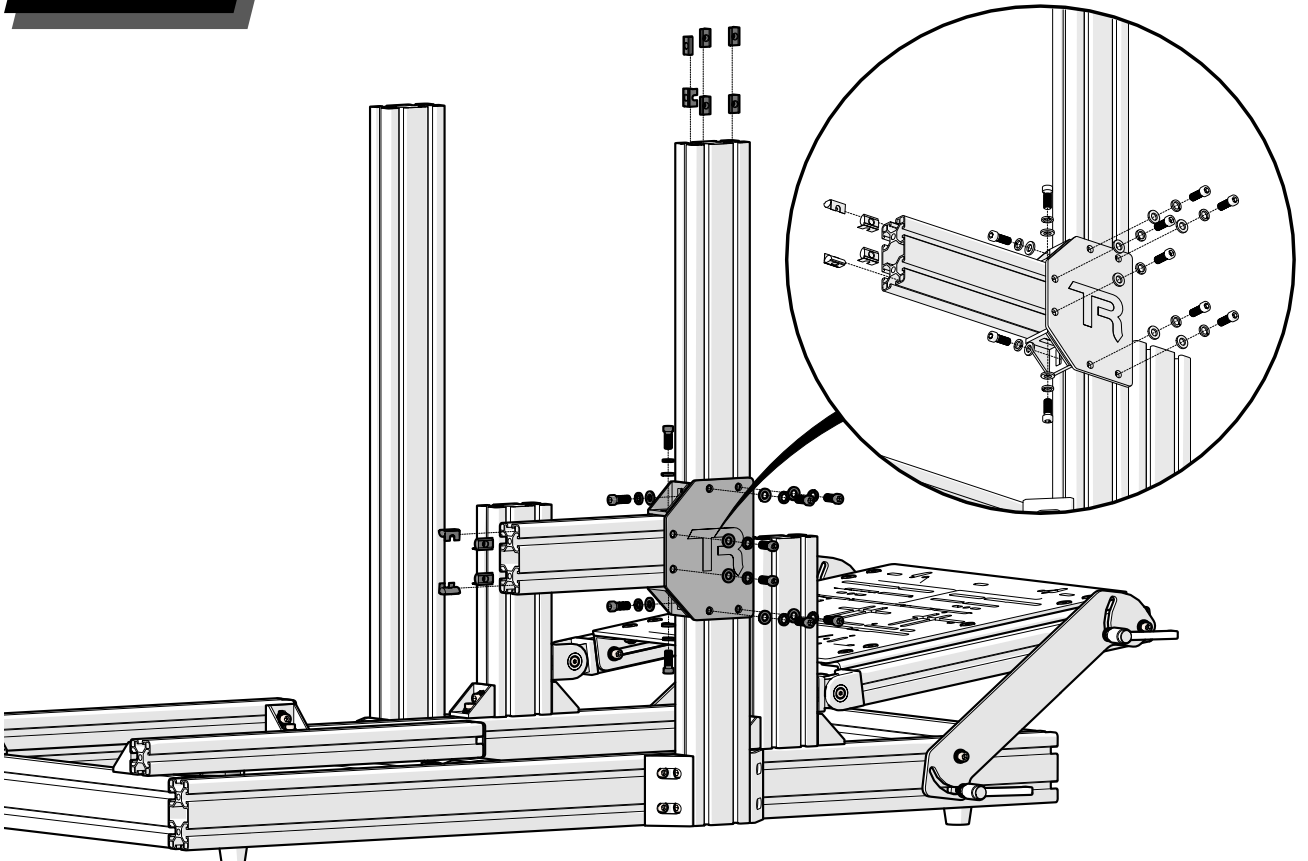
WF-M8 x10



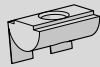
BC-40 x2



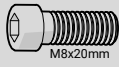
BP-80-H x1



13



NS-M8 x4



SH-M8-20 x6
M8x20mm



WL-M8 x6



WF-M8 x6



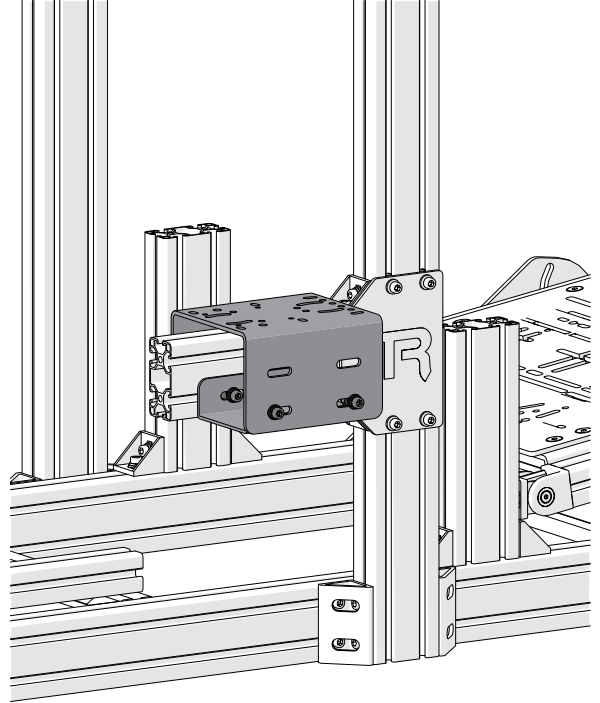
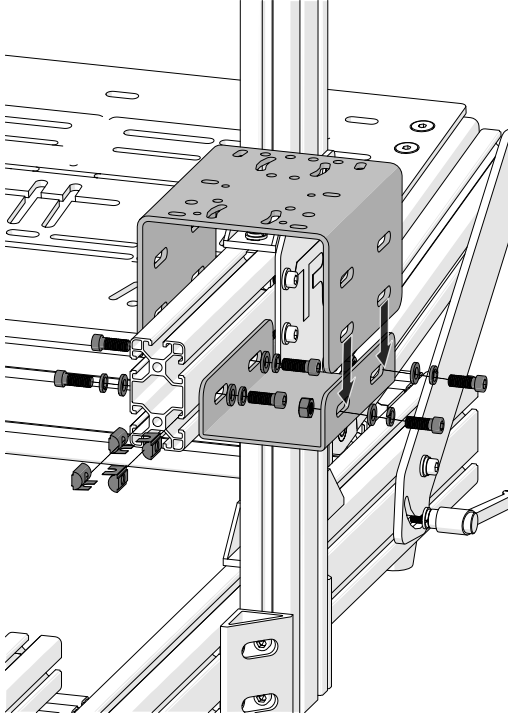
NF-M8 x2



SM-01 x1



SM-02 x1



14



BC-40 x22

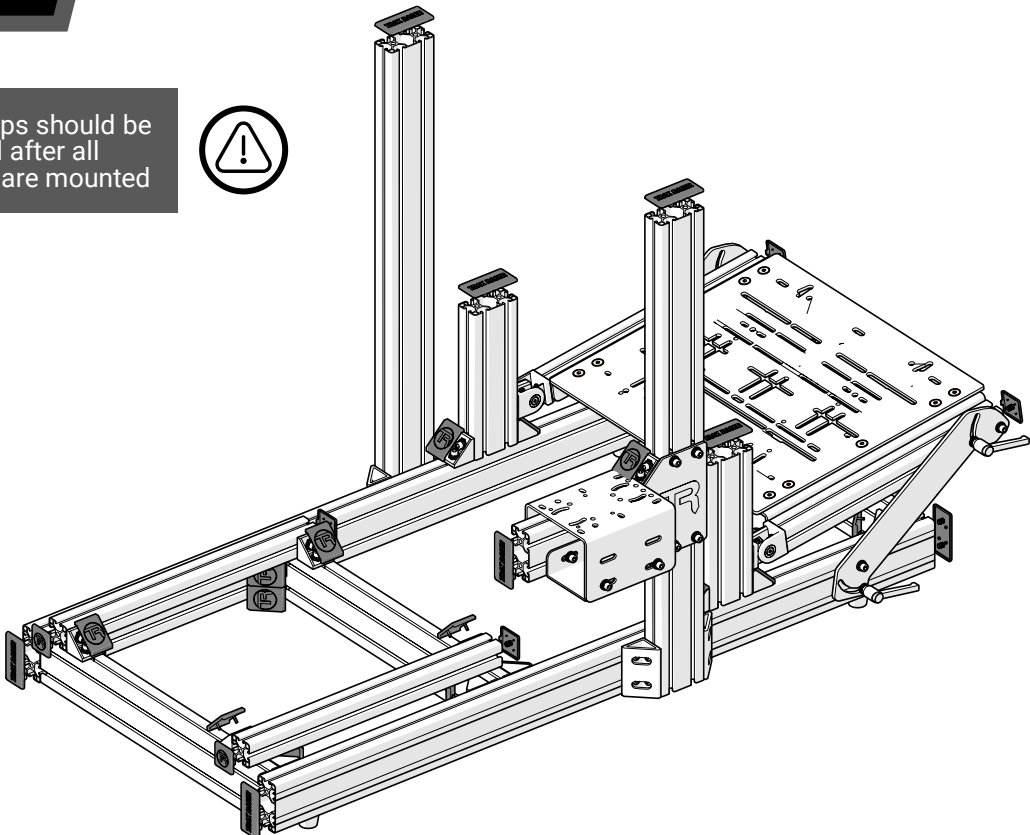


EC-40 x22



EC-80 x22

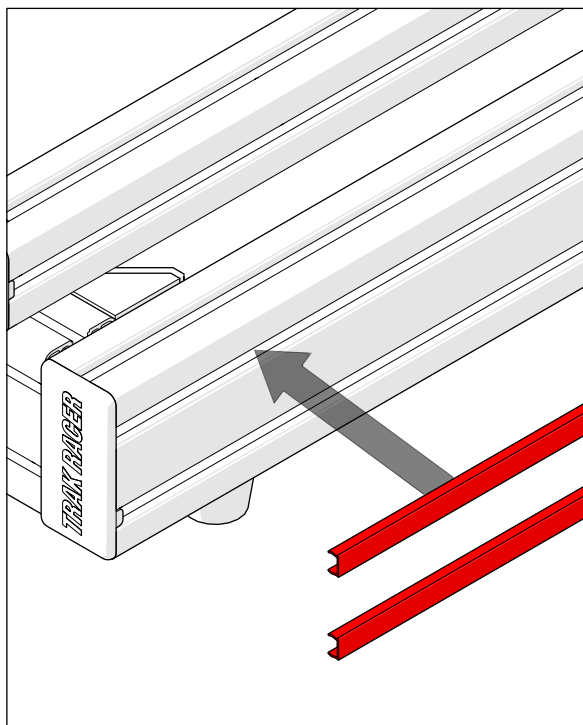
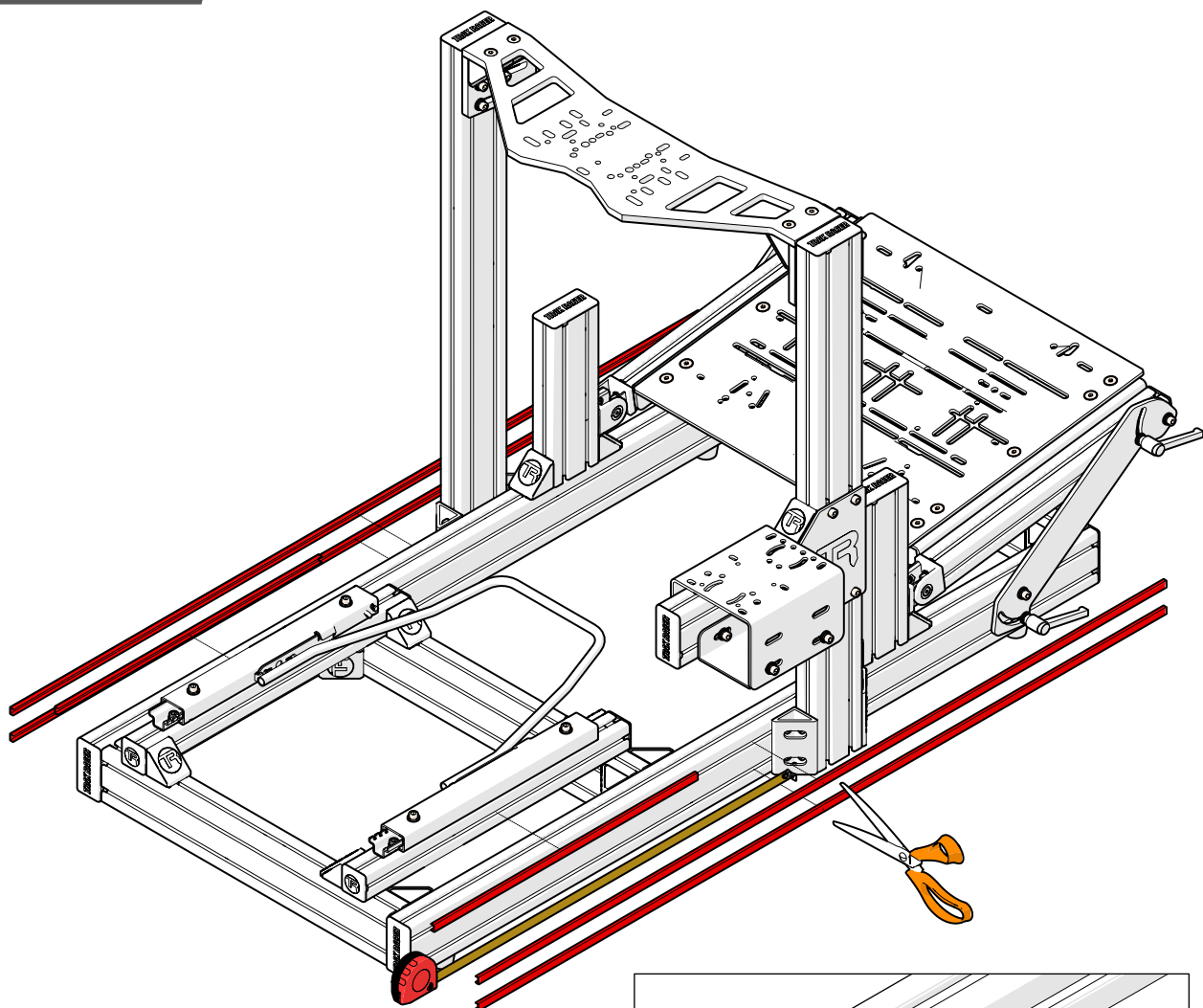
Note: End caps should be installed after all accessories are mounted



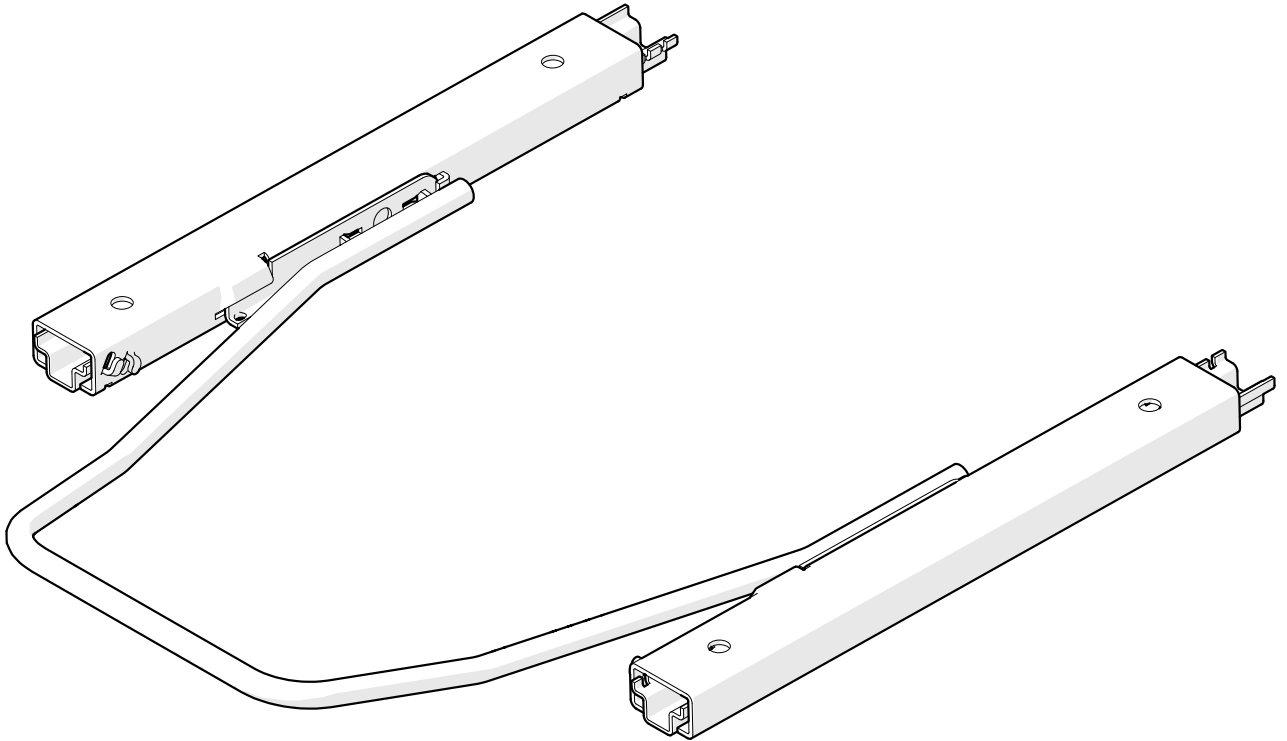
15

PS-1200-R x4

PS-460-R x2



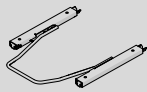
Seat Slider Assembly



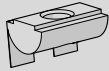
Part #	Description	QTY	Check
BOX #: TR805-BLK-PART2			
SS-01	Seat Slider	1	
SH-M8-16	Screw (Hex), M8x16	4	
NL-M8	Nut (Locking), M8	4	
WF-M8	Washer (Flat), M8	4	
WL-M8	Washer (Lock), M8	4	

TR80-SLIDER

1



SS-01 x1



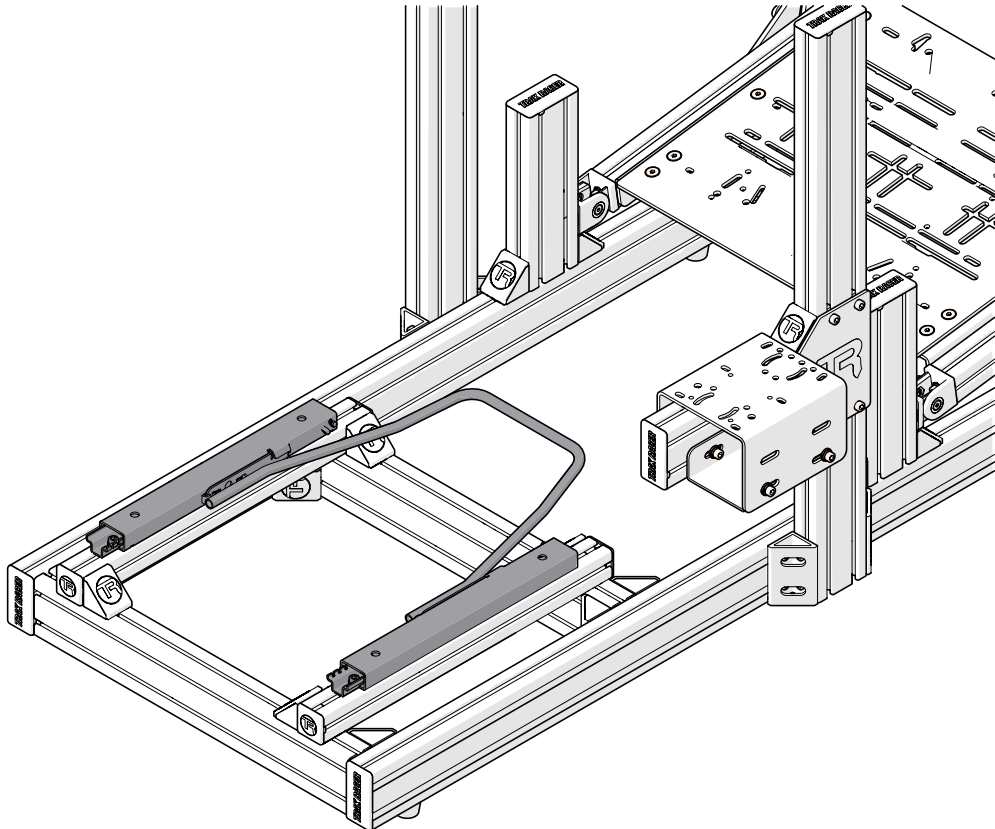
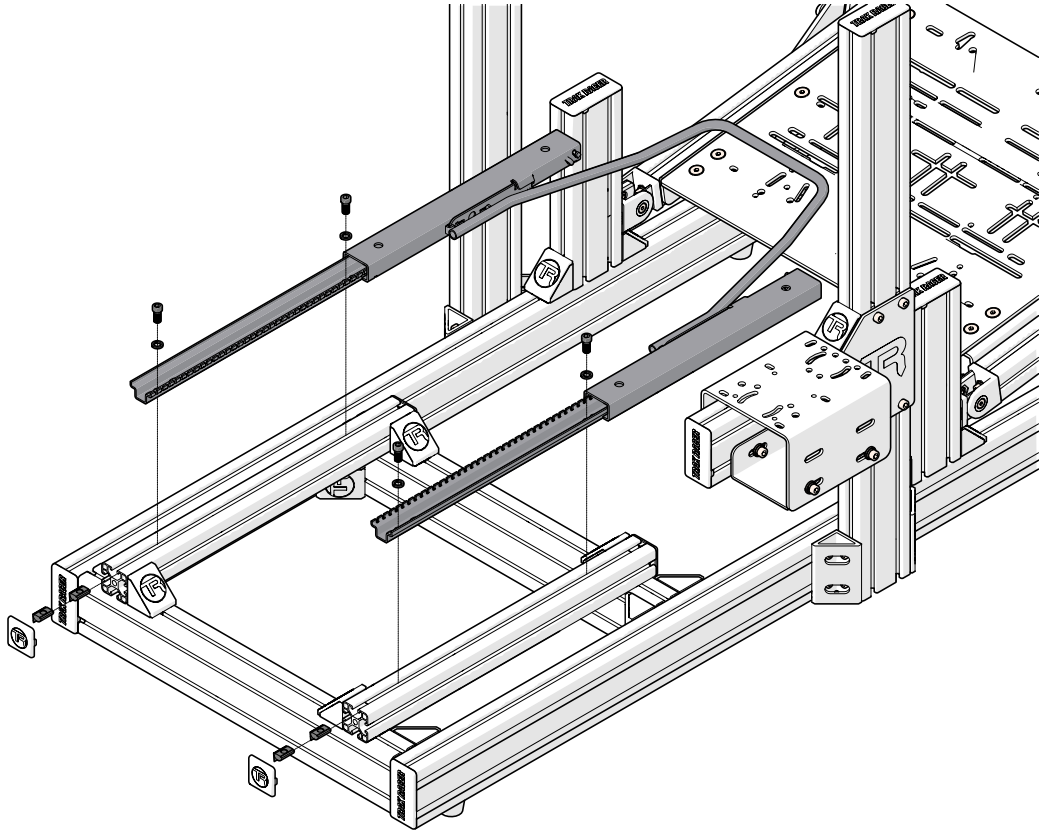
NS-M8 x4



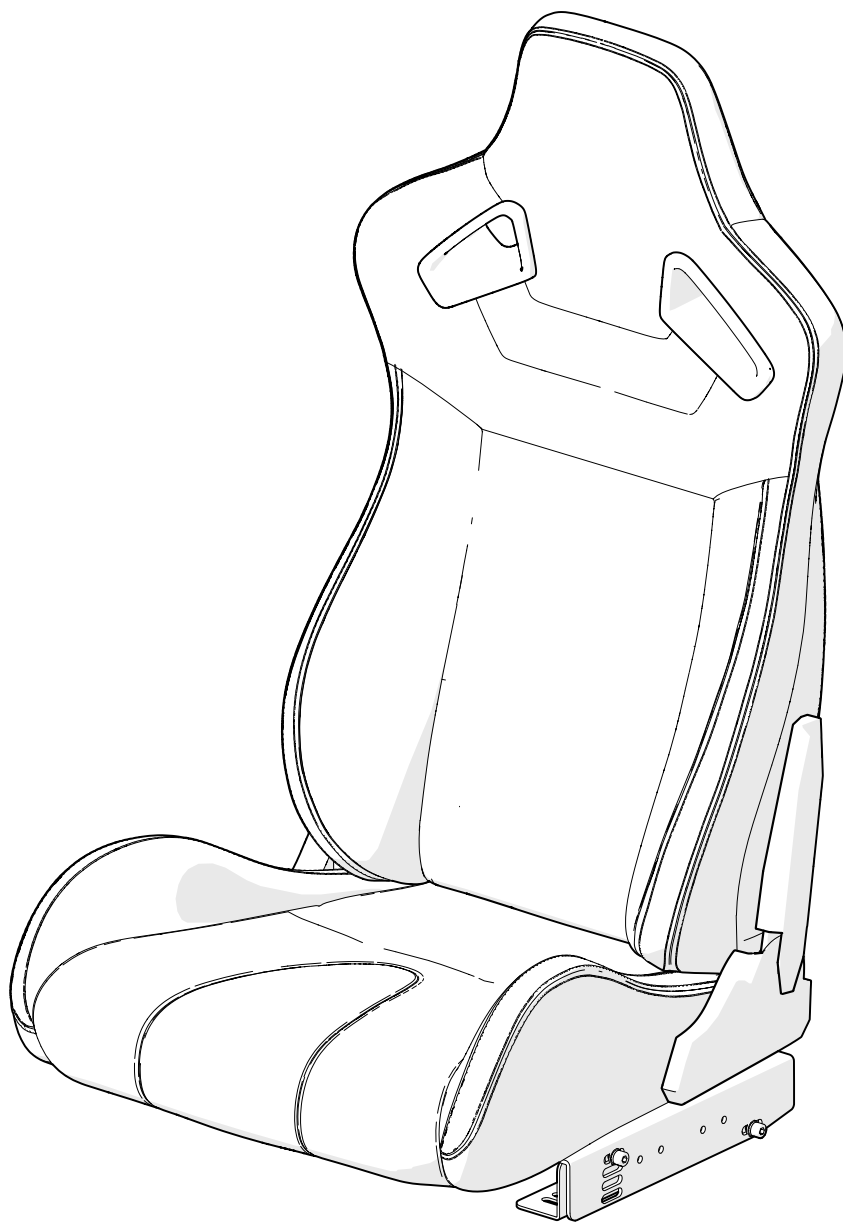
SH-M8-16 x4



WL-M8 x4



Recliner Seat Assembly



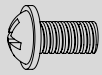
SA-06/SA-07/SA-08



TRAK RACER

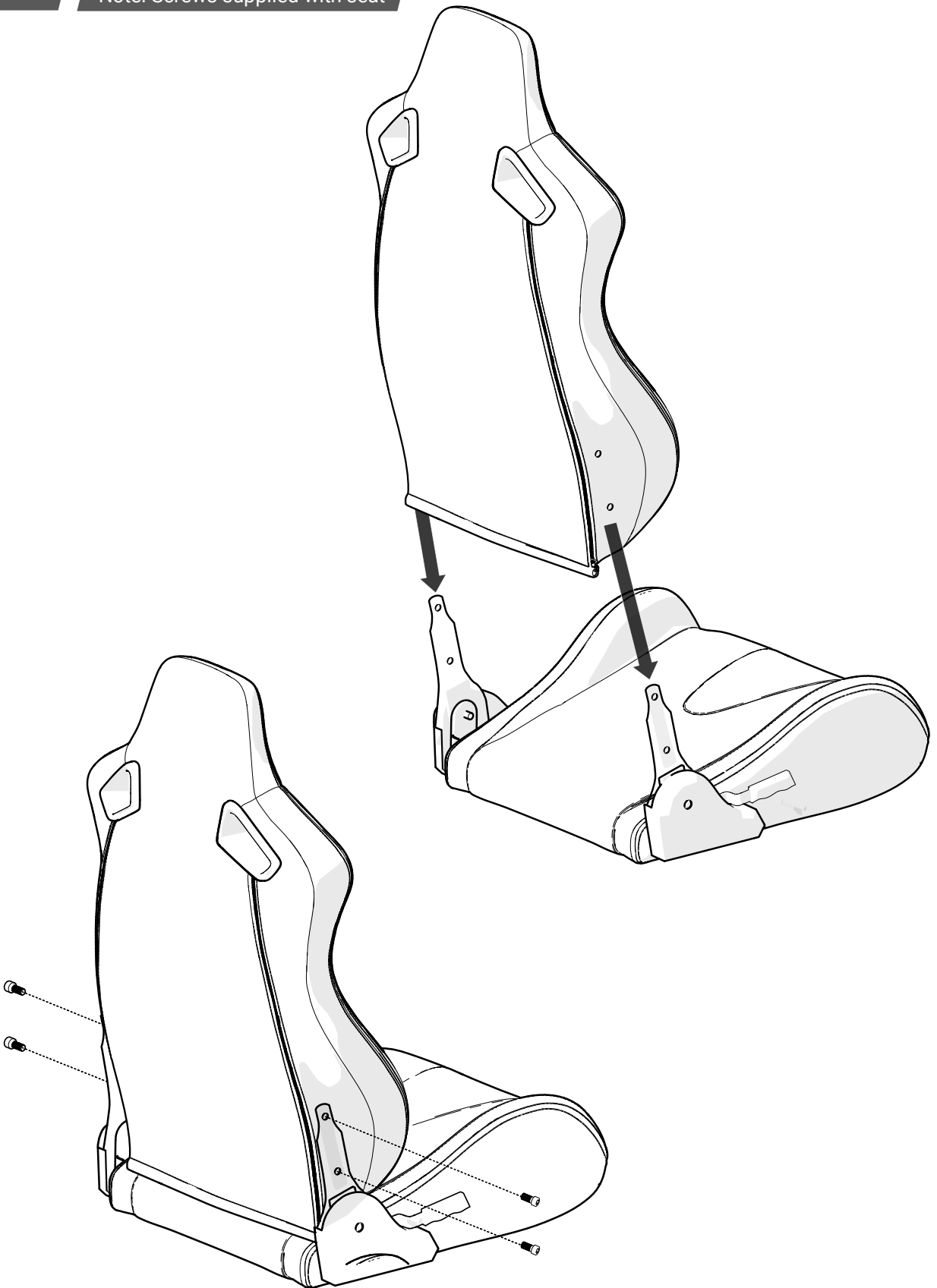
Published 2022-07-17

1

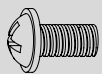


x4

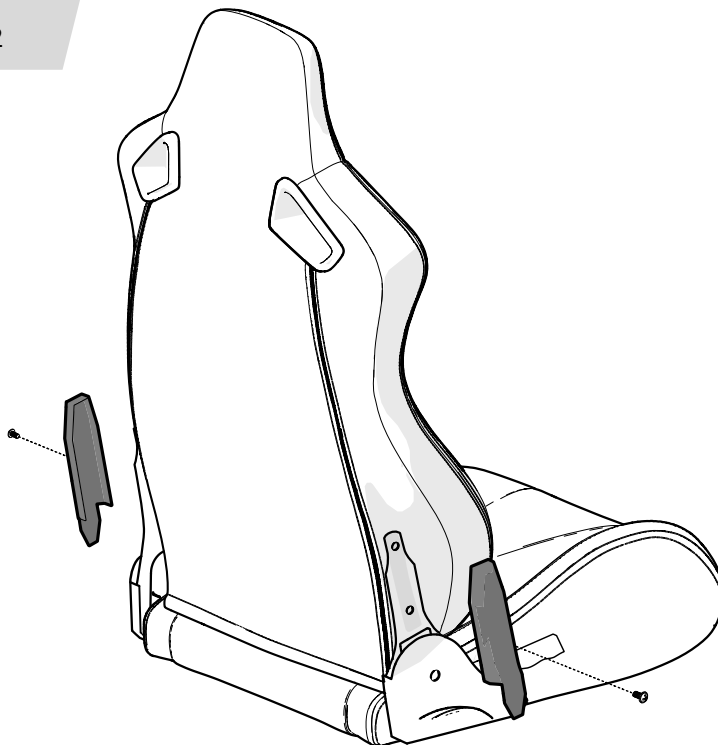
Note: Screws supplied with seat



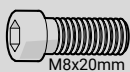
2



x2



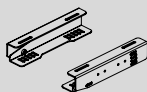
3



SH-M8-20 x8

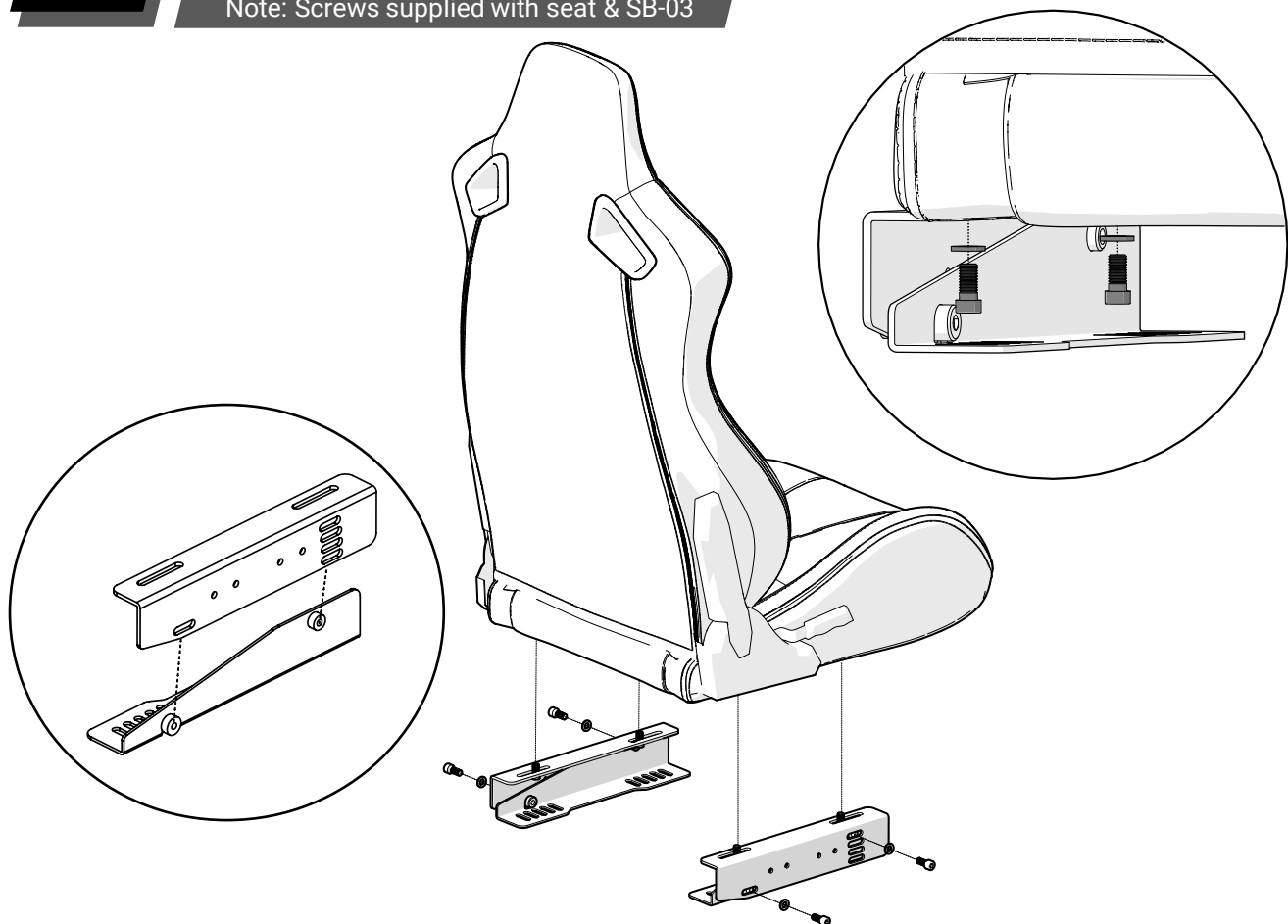


WF-M8 x8



SB-03 x1

Note: Screws supplied with seat & SB-03



4



M8x16mm

SH-M8-16 x4



WF-M8 x4



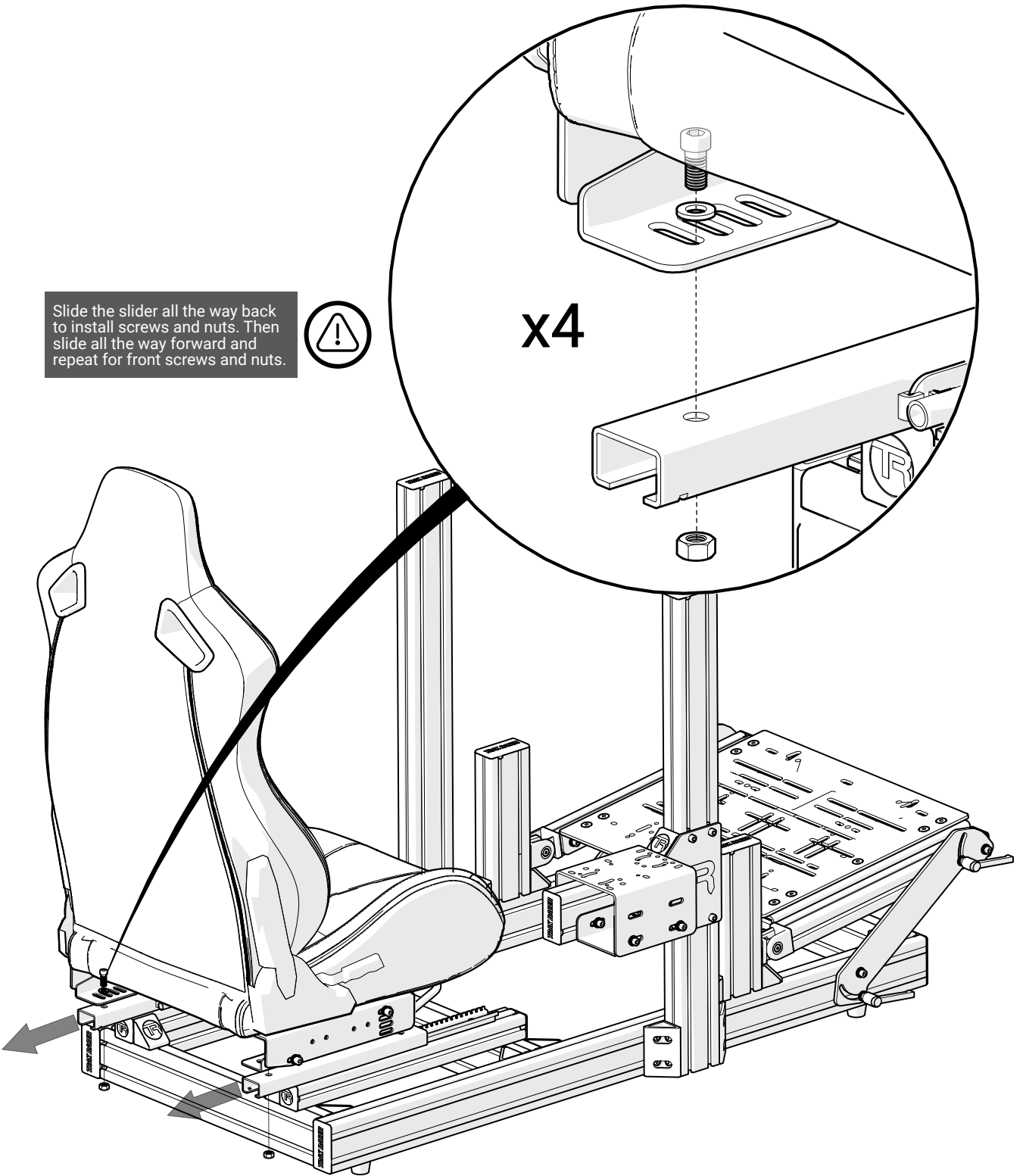
NL-M8 x4

Note: Hardware supplied with Seat Slider

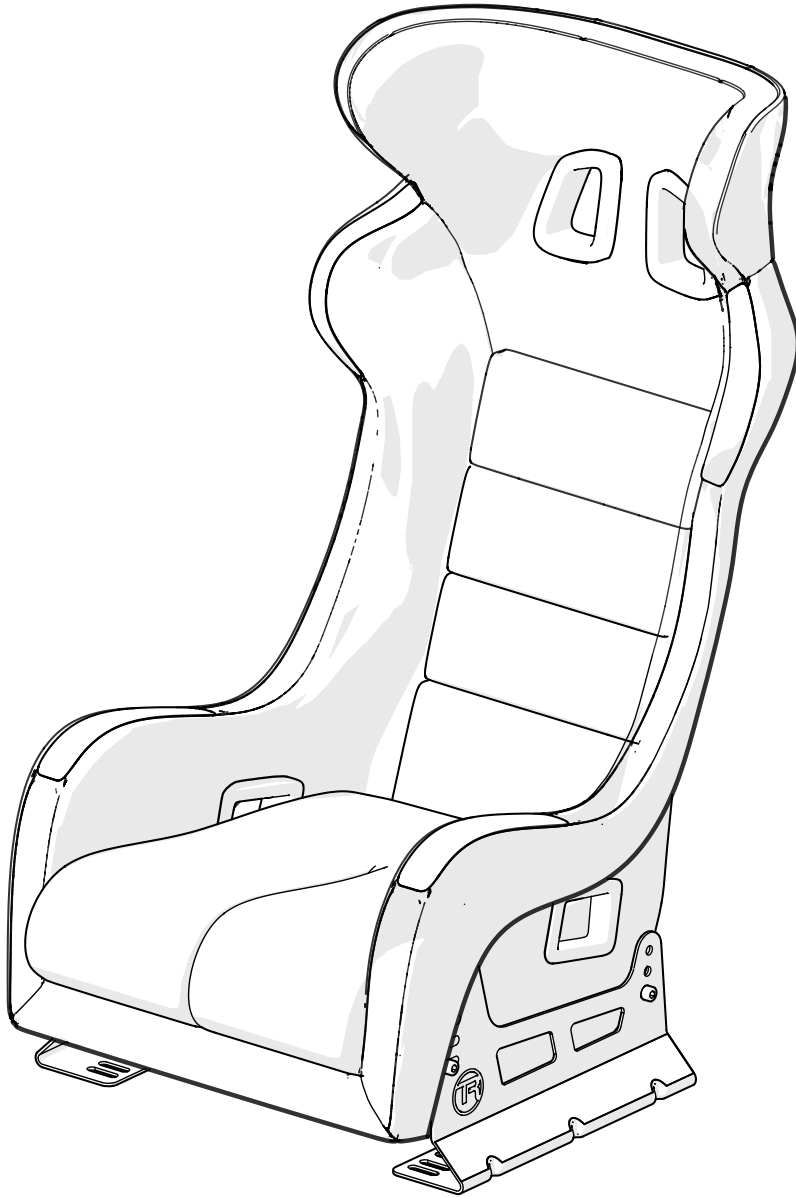
Slide the slider all the way back to install screws and nuts. Then slide all the way forward and repeat for front screws and nuts.



x4



GT/Rally Seat Assembly



SA-04/SA-05/SA-09/SA-10

1



M8x16mm

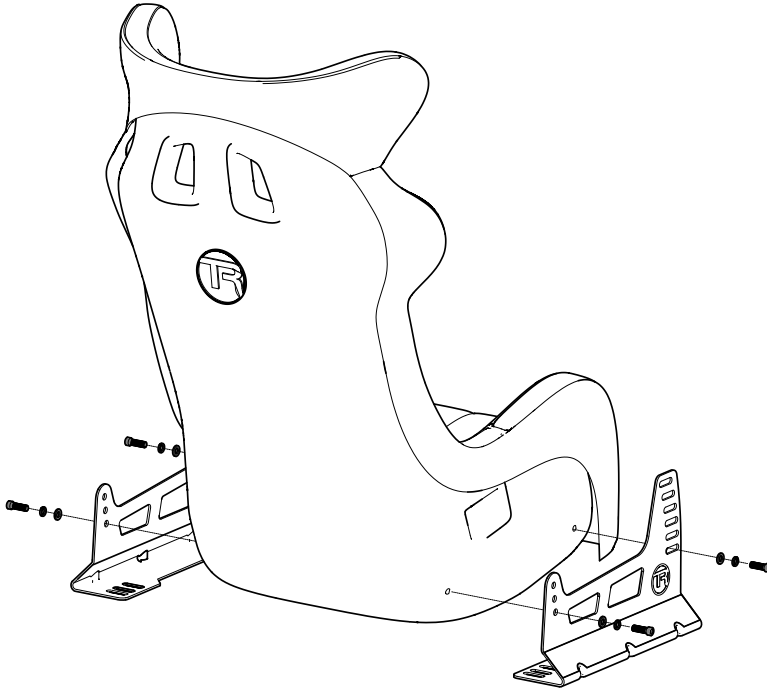
SH-M8-16 x4



WL-M8 x4



WF-M8 x4



2



M8x16mm

SH-M8-16 x4

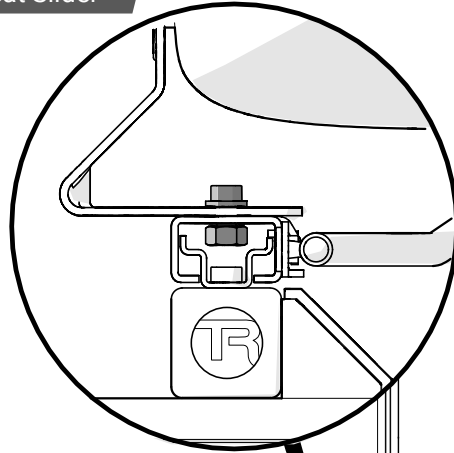
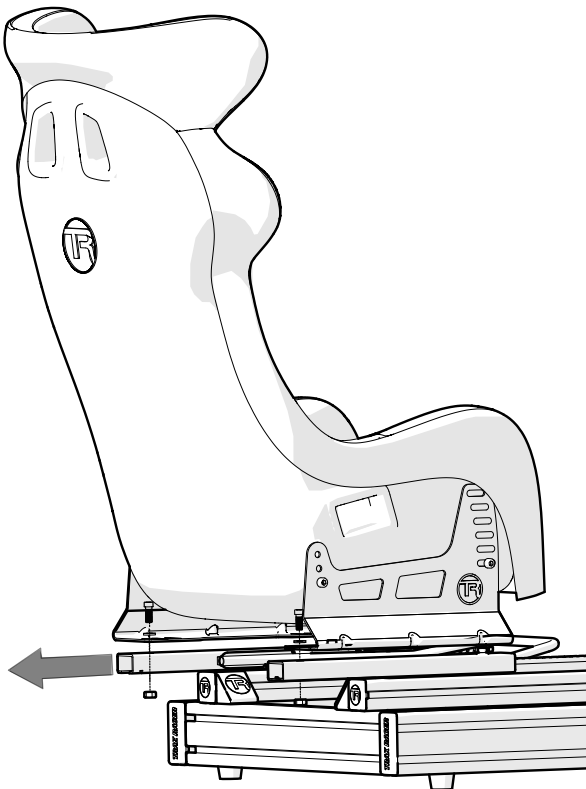


WF-M8 x4

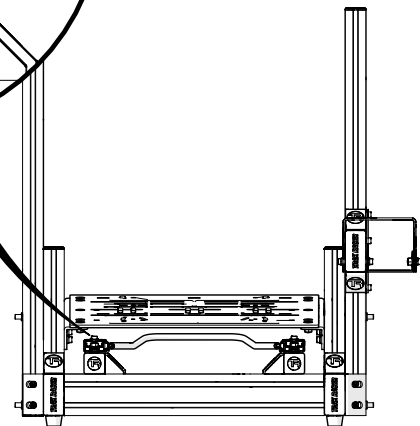


NL-M8 x4

Note: Hardware supplied with Seat Slider



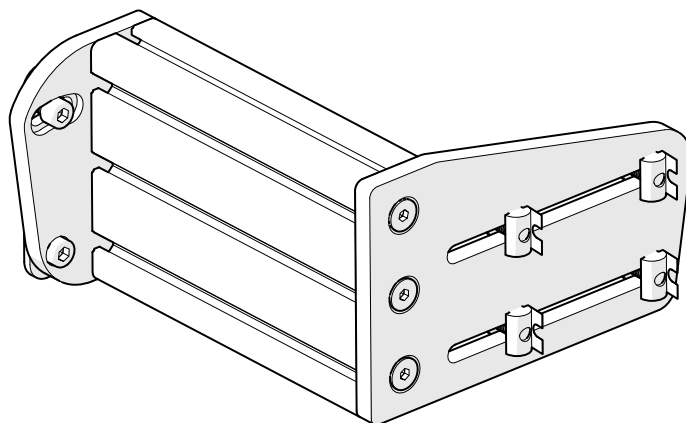
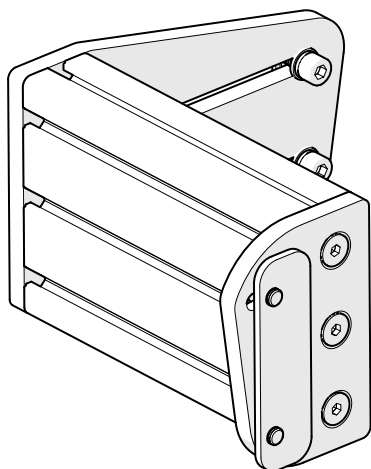
x4



Slide the slider all the way back to install screws and nuts. Then slide all the way forward and repeat for front screws and nuts.



Wheel Mount Option 1



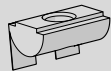
TR-One Fanatec Direct Drive Mount

Part #	Description	QTY	Check
BOX #: TR80-NWMA			
SH-M8-25	M8 x 25mm Hex Screw	12	
SF-M8-20	M8 x 20mm Flat Screw	12	
WF-M8	M8 Flat Washer	8	
WL-M8	M8 Lock Washer	8	
NS-M8	M8 Spring T-Nut	8	
WM-TR1-FN	Fanatec Podium/CSL DD Plates (5mm)	4	
WM-TR1-WP	Wheel Mounting Plates	2	
WM-TR1-PP	Side Profile Mounting Plates	2	
AT-120-180	180mm 40 x 120mm Aluminium Profile (Threaded)	2	

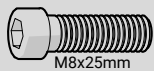
* **NOTE:** Extra hardware may be included as spare parts

TR80-NWMA

1



NS-M8 x8



SH-M8-25 x8
M8x25mm



WL-M8 x8



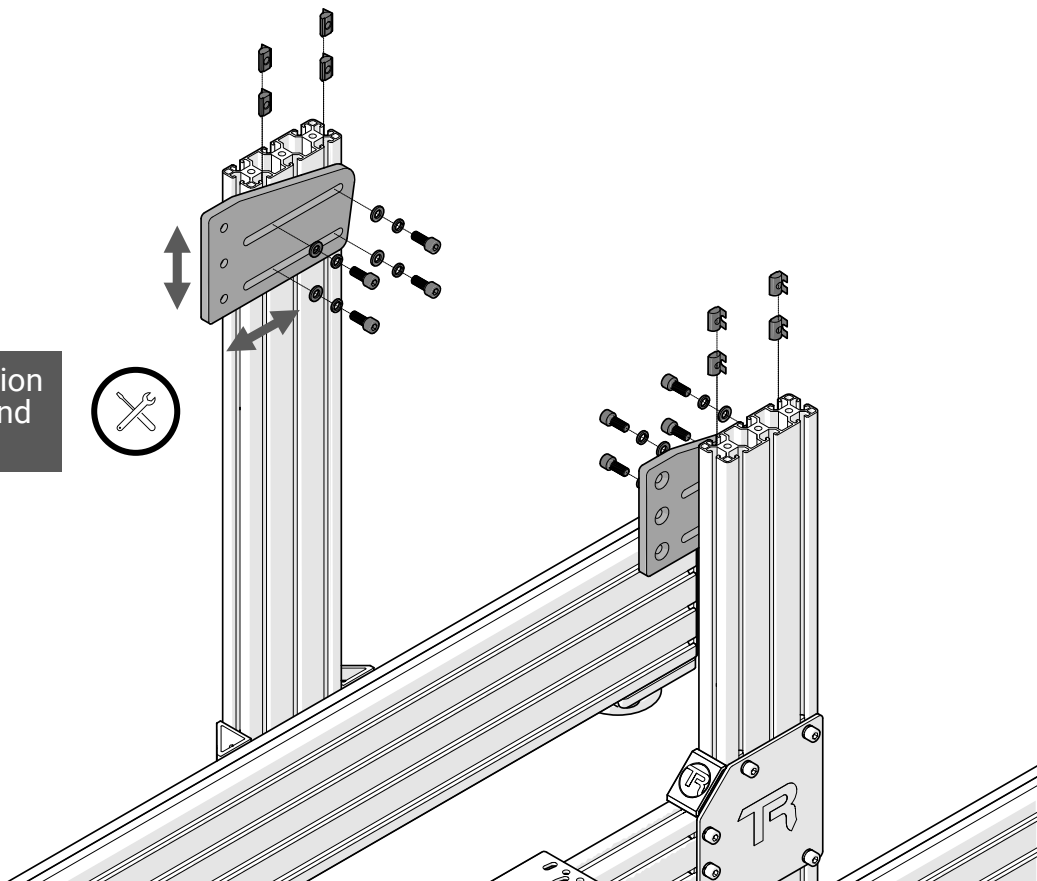
WF-M8 x8



WM-TR1-PP x2



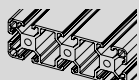
NOTE: Adjust position
after wheelbase and
seat installation



2



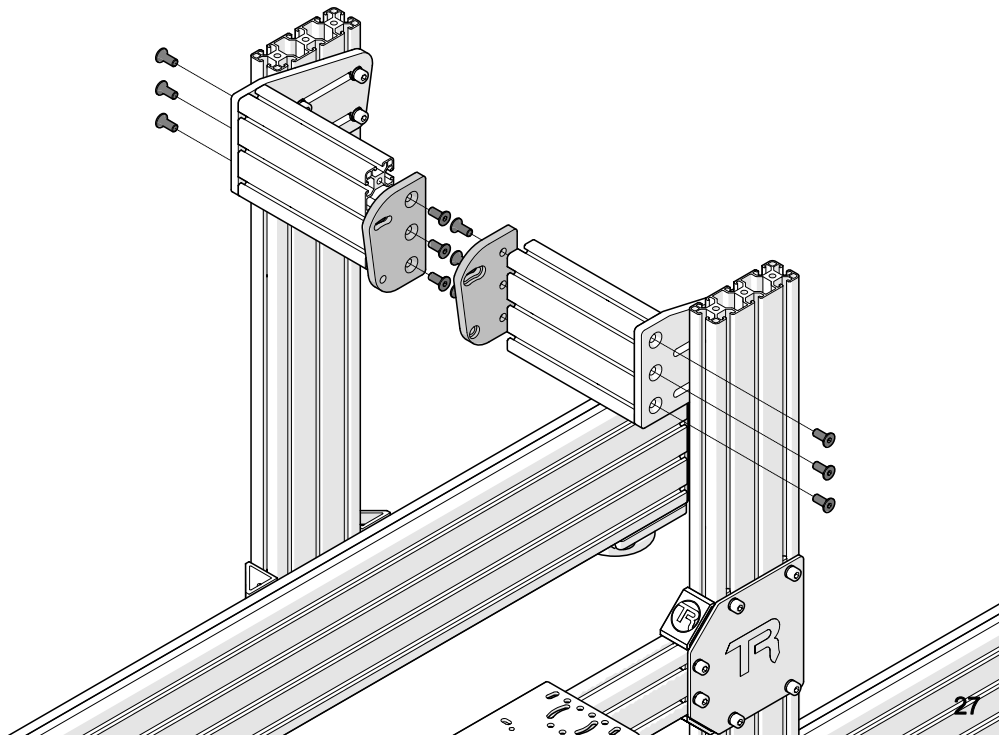
SF-M8-20 x12
M8x20mm



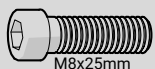
AT-120-180 x2



WMP x2



3



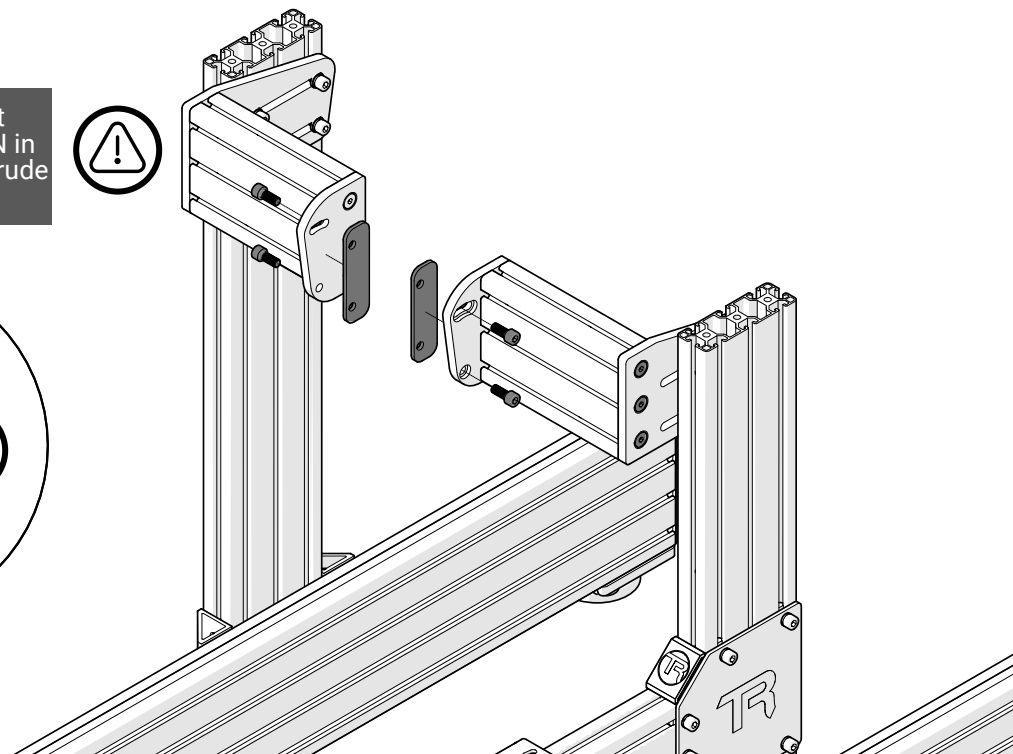
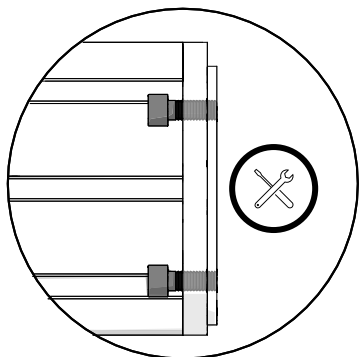
M8x25mm

SH-M8-25 x4

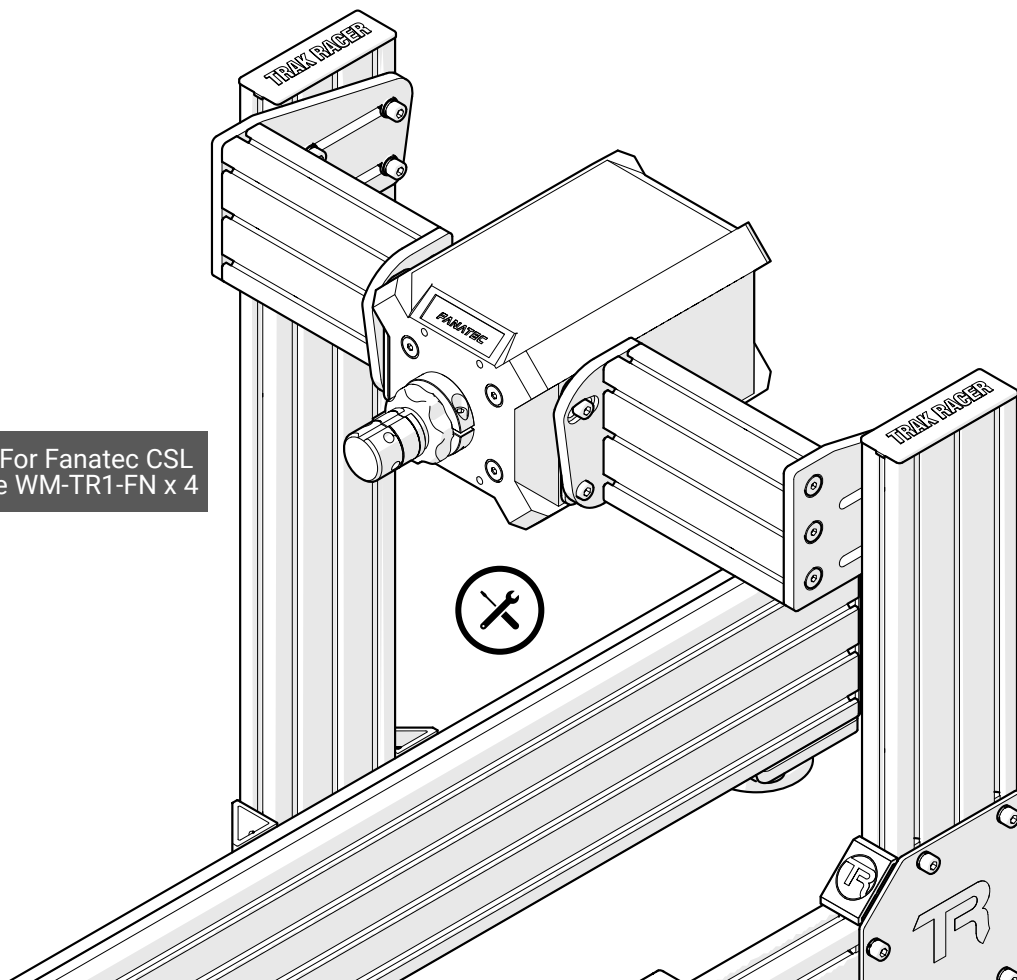


WM-TR1-FN x2

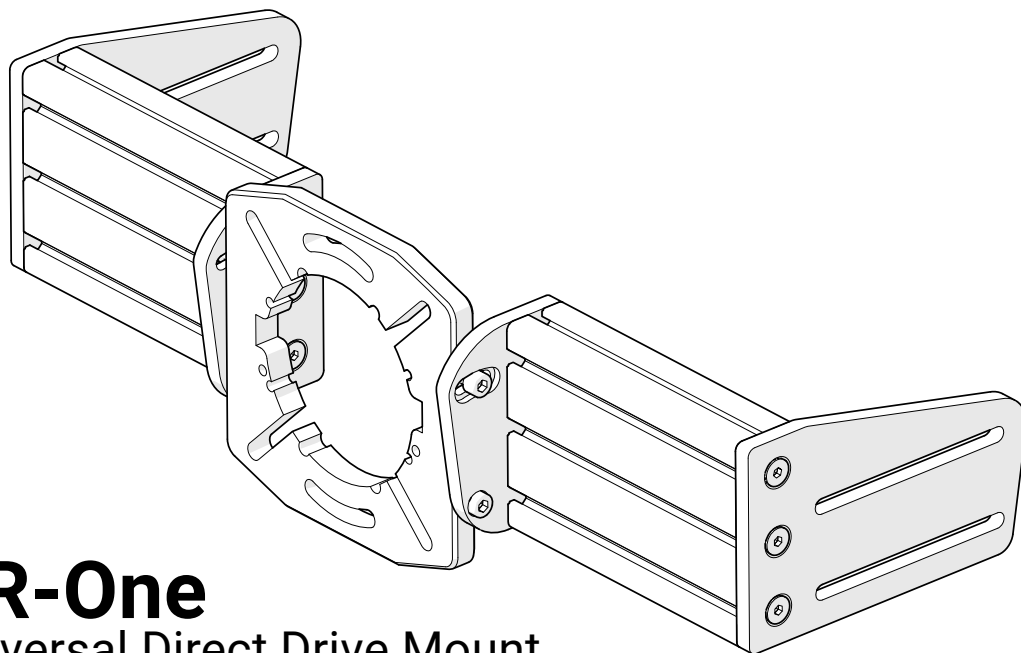
Note: Thread screws just enough to hold WM-TR1-FN in place so screws do not protrude past WM-TR1-FN plate.



Note: For Fanatec CSL DD use WM-TR1-FN x 4



Wheel Mount Option 2



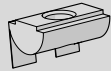
TR-One Universal Direct Drive Mount

Part #	Description	QTY	Check
BOX #: TR80-NWMA			
SH-M8-25	Screw (Hex), M8x25	12	
SF-M8-20	Screw (Flat), M8x20	12	
WF-M8	Washer (Flat), M8	8	
WL-M8	Washer (Lock), M8	8	
NS-M8	T-Nut (Spring), M8	8	
WM-TR1-FN	Wheel Mount, TR-ONE, Fanatec Plates	4	
WM-TR1-WP	Wheel Mount, TR-ONE, Wheel Plates	2	
WM-TR1-PP	Wheel Mount, TR-ONE, Profile Plates	2	
AT-120-180	Aluminum Profile (Threaded), 40x120x180mm	2	
BOX #: TR80-NWMDD			
SH-M8-20	Screw (Hex), M8x20	4	
SH-M8-25	Screw (Hex), M8x25	4	
WF-M8	Washer (Flat), M8	4	
SH-M6-20	Screw (Hex), M6x20	2	
WF-M6	Washer (Flat), M6	2	
WM-DD	Wheel Mount, Direct Drive	1	

* **NOTE:** Extra hardware may be included as spare parts

TR80-NWMA + TR80-NWMDD

1



NS-M8 x8



SH-M8-25 x8
M8x25mm



WL-M8 x8

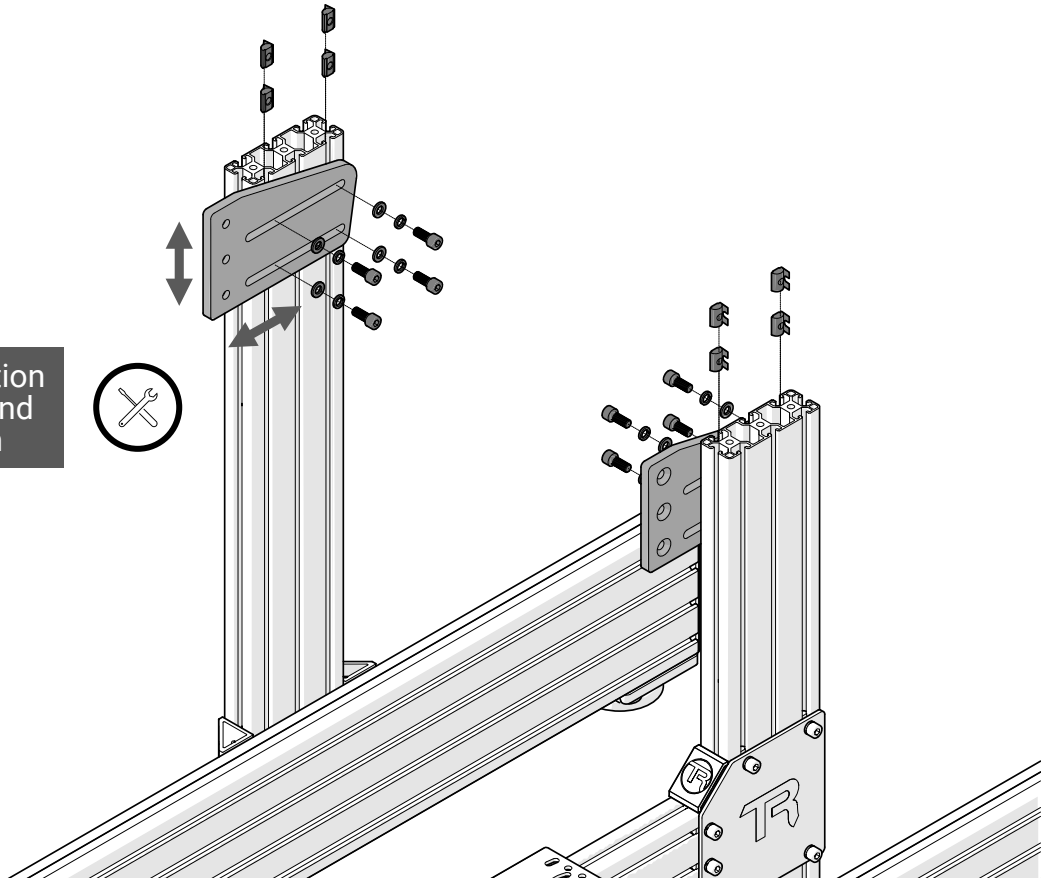


WF-M8 x8

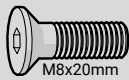


WM-TR1-PP x2

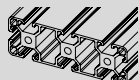
NOTE: Adjust position
after wheelbase and
seat installation



2



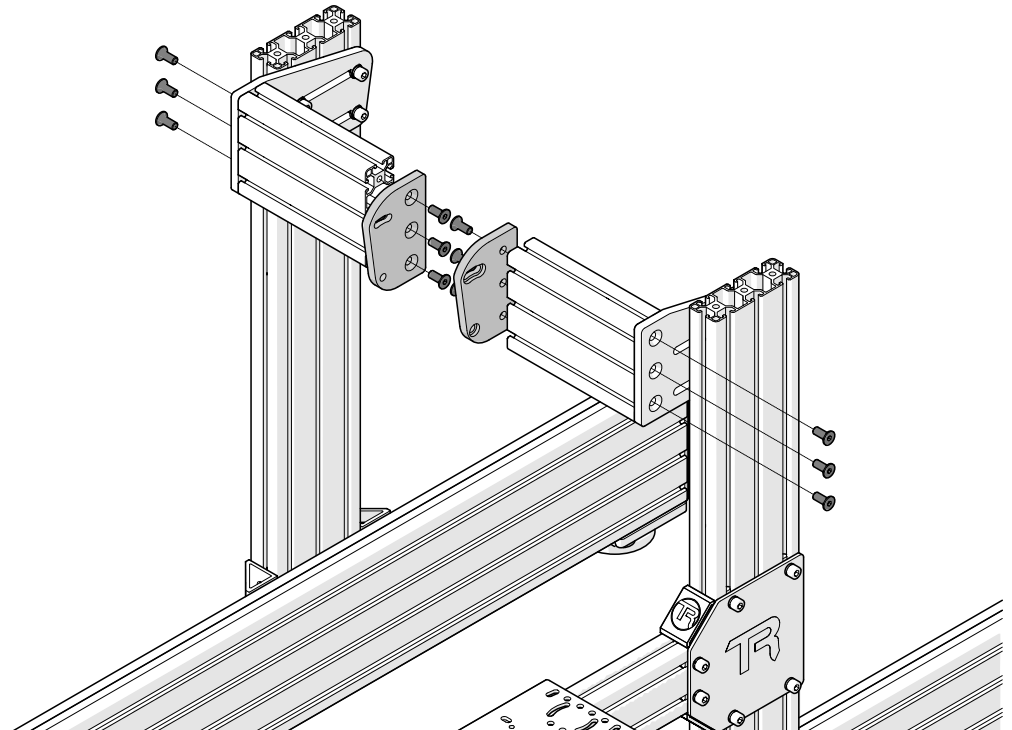
SF-M8-20 x12
M8x20mm



AT-120-180 x2



WM-TR1-WP x2



3

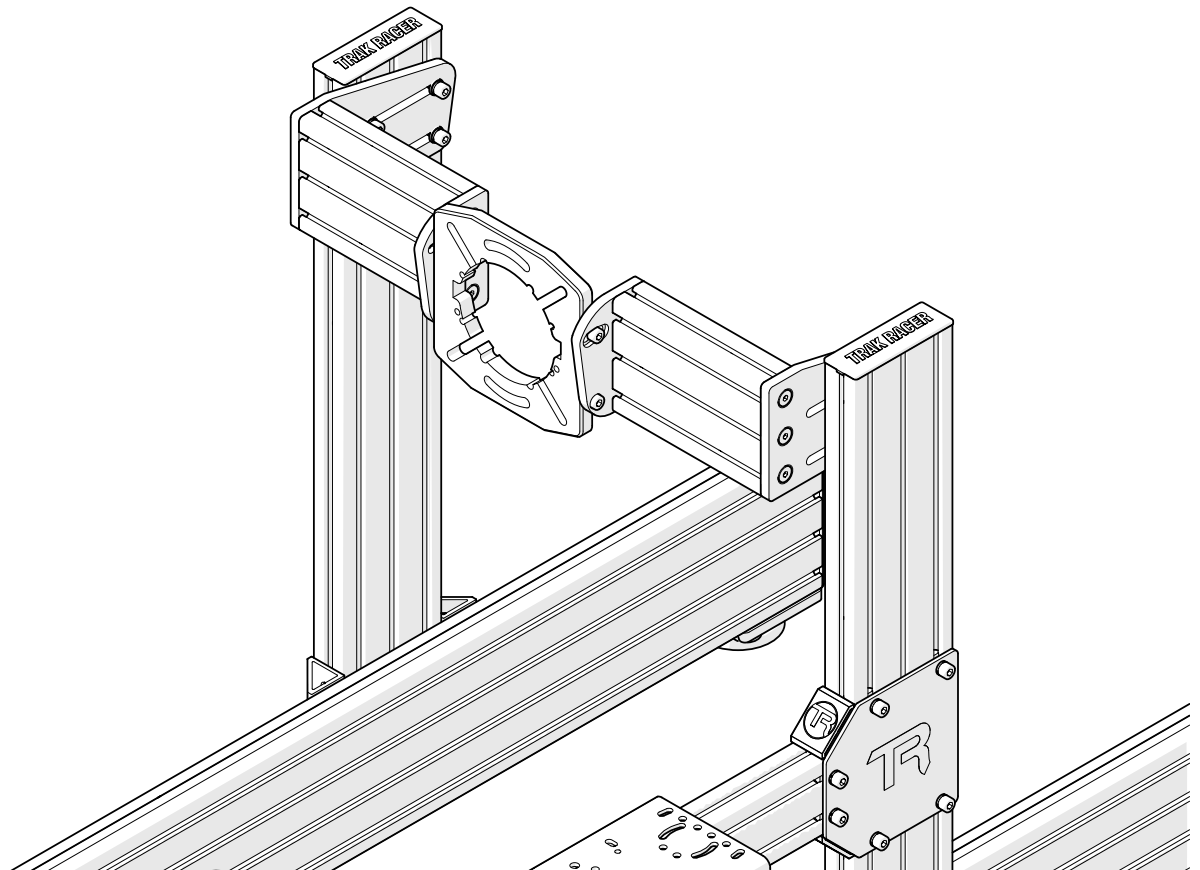
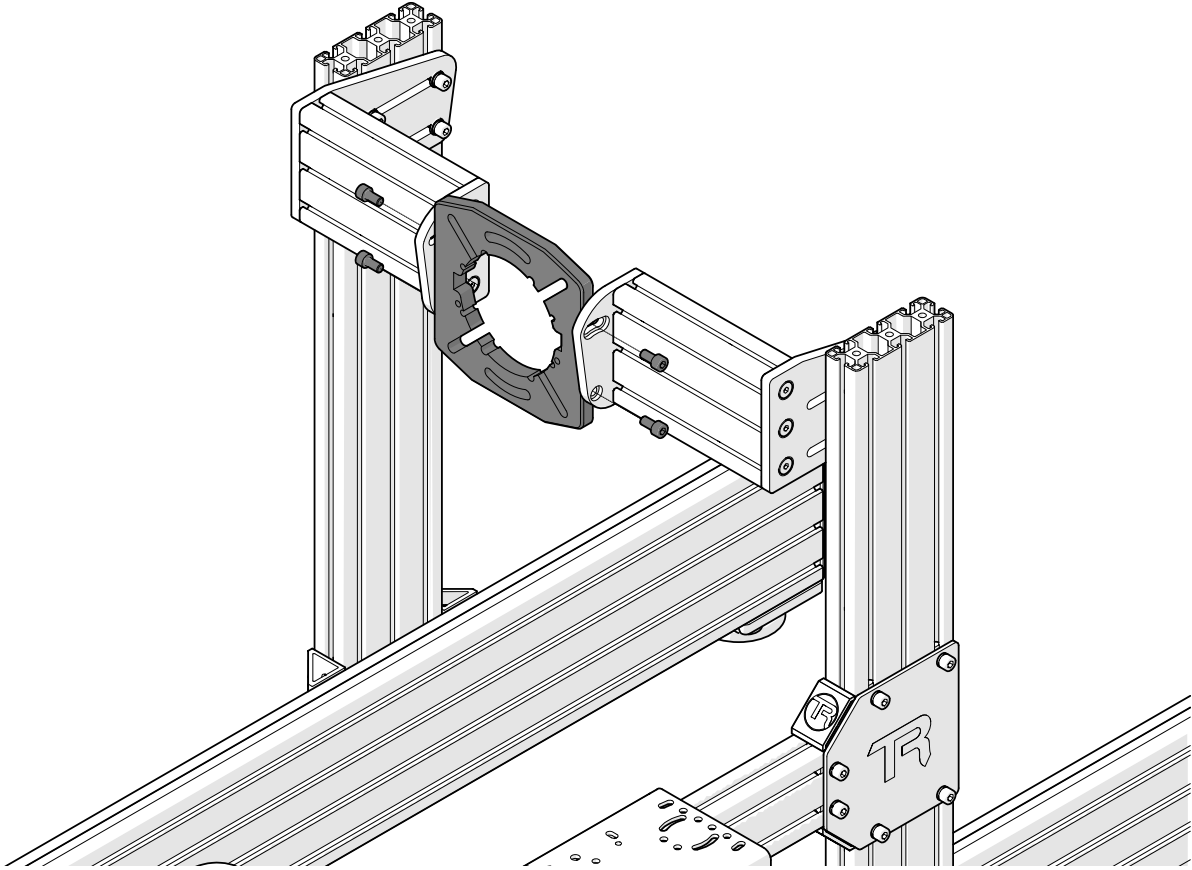


M8x20mm

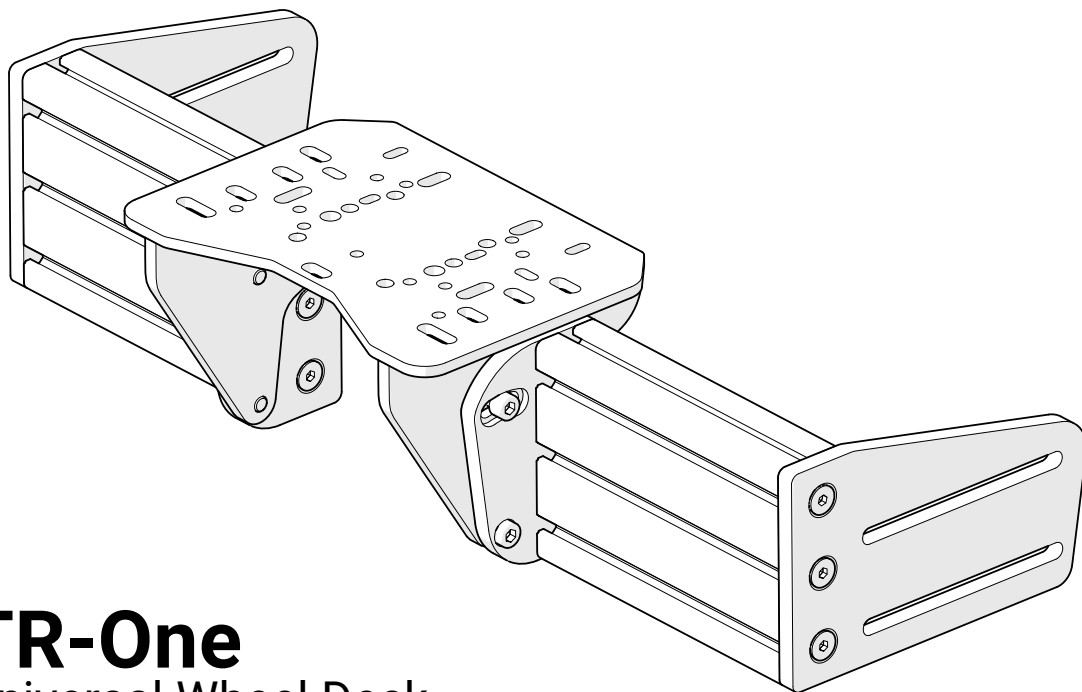
SH-M8-20 x4



WM-DD x1



Wheel Mount Option 3



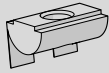
TR-One Universal Wheel Deck

Part #	Description	QTY	Check
BOX #: TR80-NWMA			
SH-M8-25	Screw (Hex), M8x25	12	
SF-M8-20	Screw (Flat), M8x20	12	
WF-M8	Washer (Flat), M8	8	
WL-M8	Washer (Lock), M8	8	
NS-M8	T-Nut (Spring), M8	8	
WM-TR1-FN	Wheel Mount, TR-ONE, Fanatec Plates	4	
WM-TR1-WP	Wheel Mount, TR-ONE, Wheel Plates	2	
WM-TR1-PP	Wheel Mount, TR-ONE, Profile Plates	2	
AT-120-180	Aluminum Profile (Threaded), 40x120x180mm	2	
BOX #: TR80-NWM4			
SH-M8-15	Screw (Hex), M8x15	4	
SH-M6-15	Screw (Hex), M6x15	4	
WF-M6	Washer (Flat), M6	4	
WM-WM4	Wheel Mount, TR80-NWM4 Assembly	1	

* **NOTE:** Extra hardware may be included as spare parts

TR80-NWMA + TR80-NWM4

1



NS-M8 x8



SH-M8-25 x8
M8x25mm



WL-M8 x8

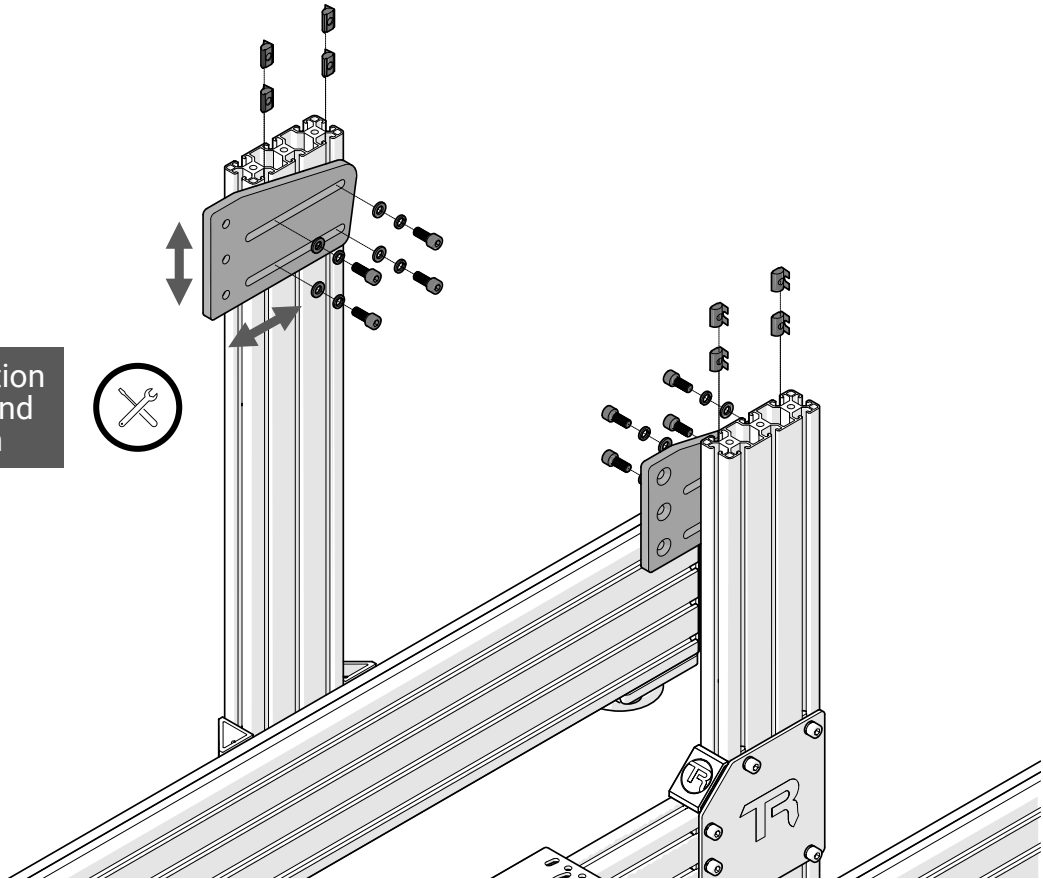


WF-M8 x8

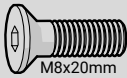


WM-TR1-PP x2

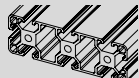
NOTE: Adjust position
after wheelbase and
seat installation



2



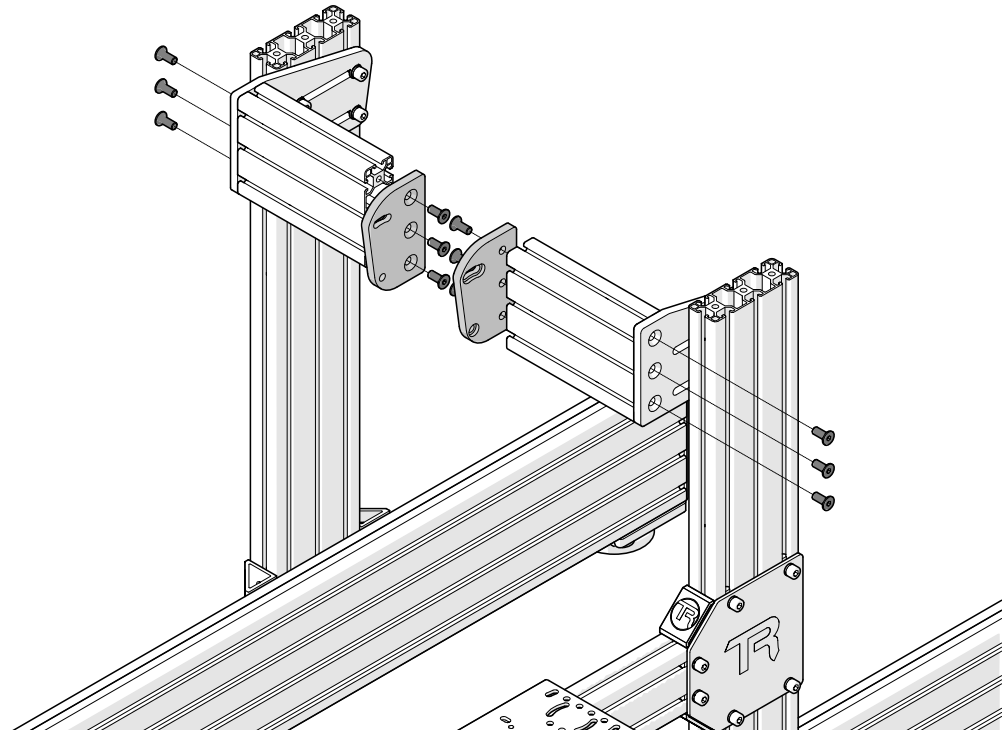
SF-M8-20 x12
M8x20mm



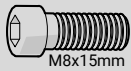
AT-120-180 x2



WM-TR1-WP x2



3

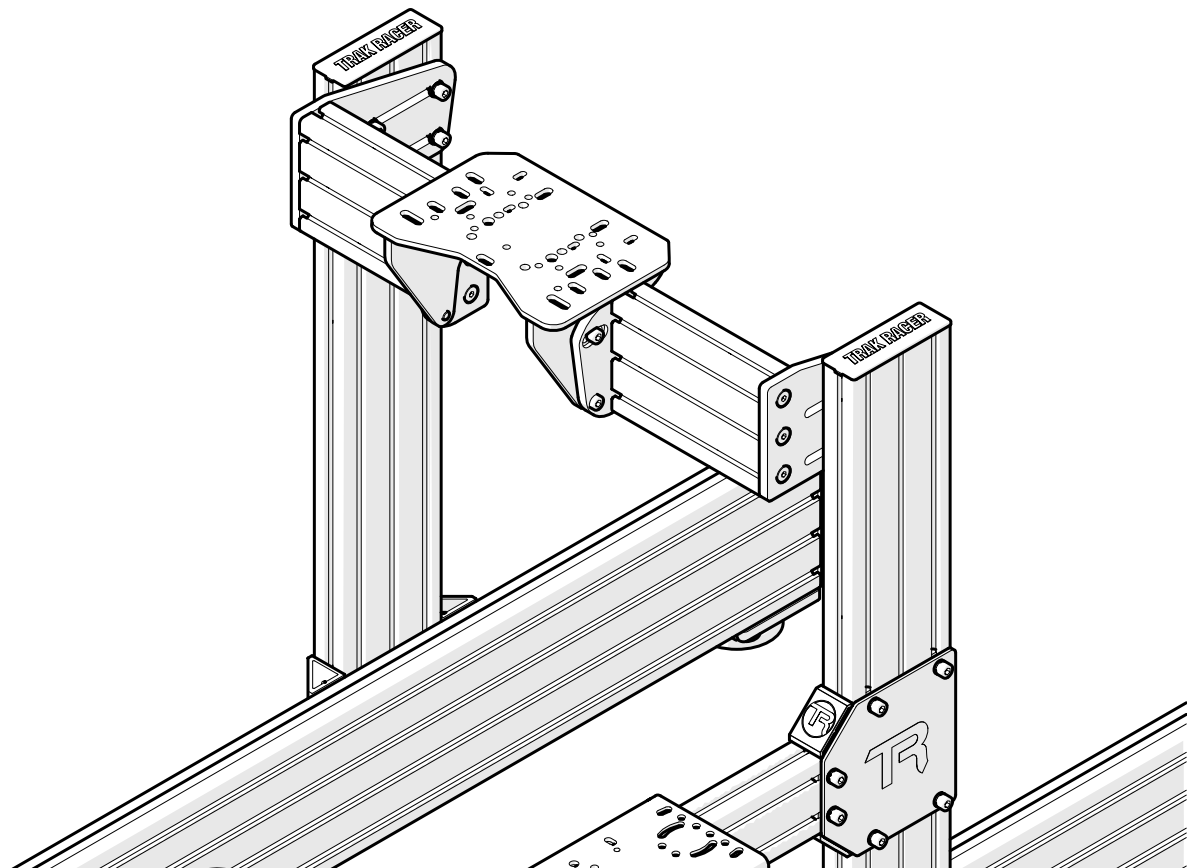
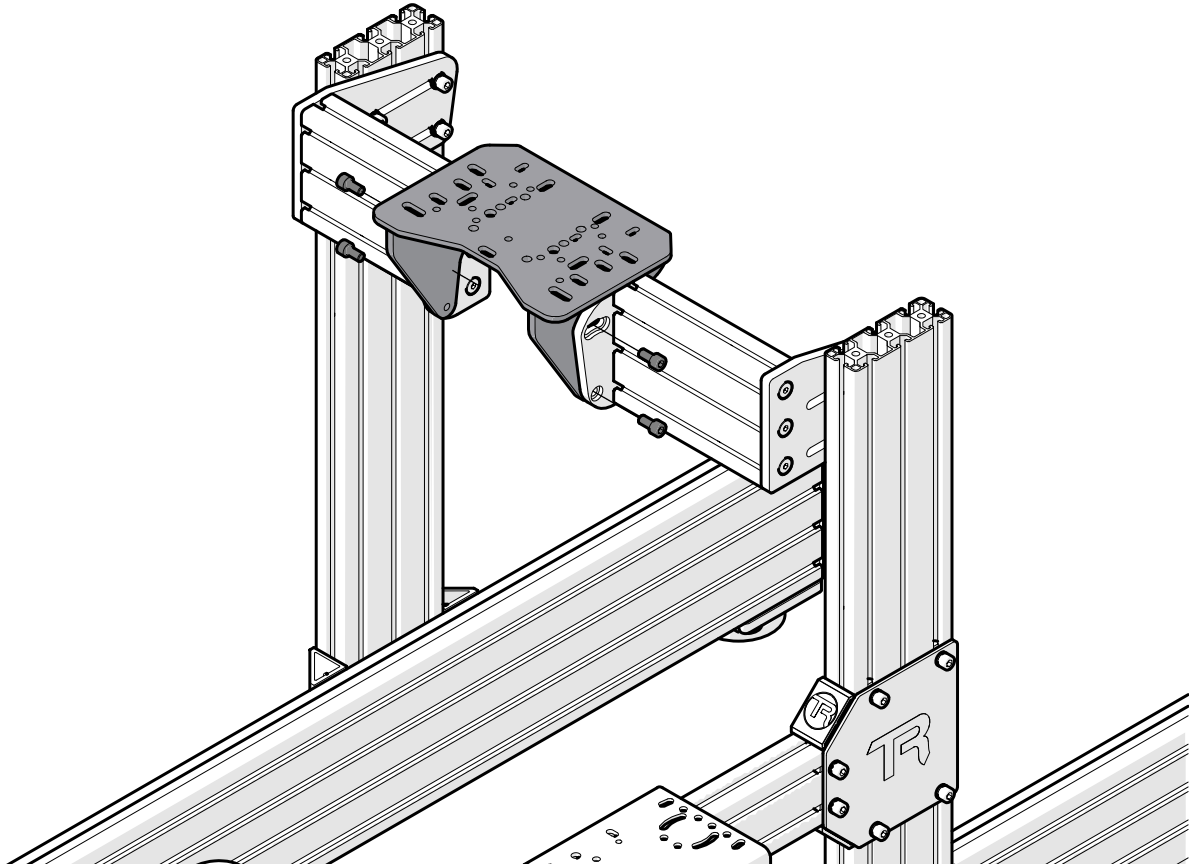


M8x15mm

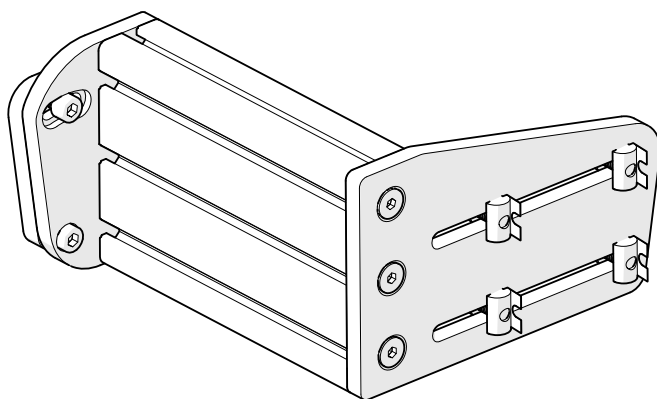
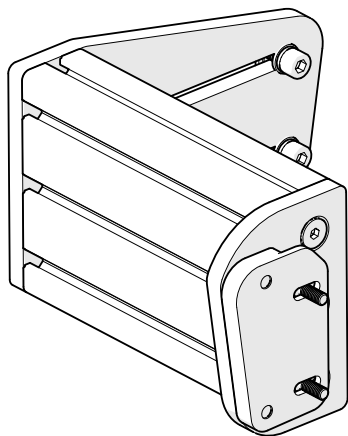
SH-M8-15 x4



WM-WM4 x1



Wheel Mount Option 4



TR-One Simagic M10 Direct Drive Mount

Part #	Description	QTY	Check
BOX #: TR80-NWMA			
SH-M8-25	Screw (Hex), M8x25	12	
SF-M8-20	Screw (Flat), M8x20	12	
WF-M8	Washer (Flat), M8	8	
WL-M8	Washer (Lock), M8	8	
NS-M8	T-Nut (Spring), M8	8	
WM-TR1-FN	Wheel Mount, TR-ONE, Fanatec Plates	4	
WM-TR1-WP	Wheel Mount, TR-ONE, Wheel Plates	2	
WM-TR1-PP	Wheel Mount, TR-ONE, Profile Plates	2	
AT-120-180	Aluminum Profile (Threaded), 40x120x180mm	2	
BOX #: TR80-NWMSM			
SH-M8-16	Screw (Hex), M8x16	4	
SH-M6-16	Screw (Hex), M6x16	4	
WF-M6	Washer (Flat), M6	4	
WM-TR1-SM	Wheel Mount, TR-ONE, Sim Magic Plates	2	

* **NOTE:** Extra hardware may be included as spare parts

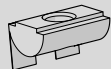
TR80-NWMA + TR80-NWMSM



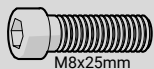
TRAK RACER

Published 2022-07-17

1



NS-M8 x8



SH-M8-25 x8
M8x25mm



WL-M8 x8

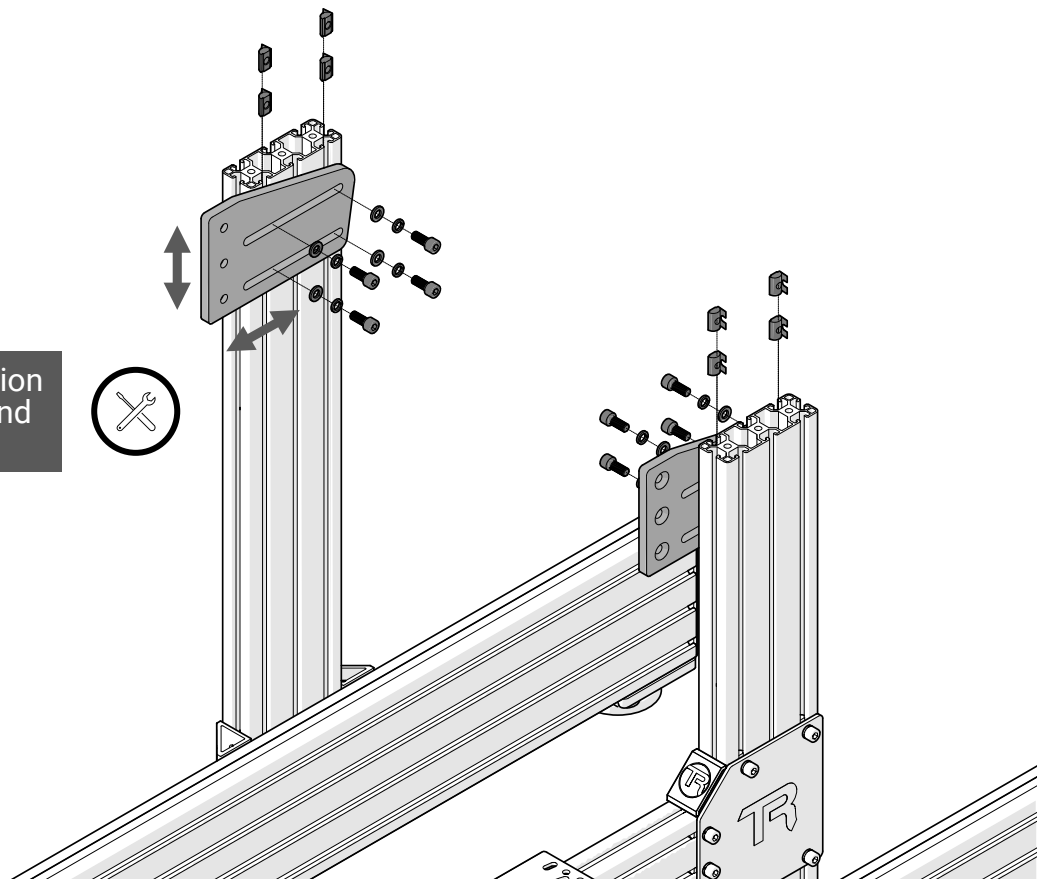


WF-M8 x8



WM-TR1-PP x2

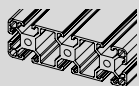
NOTE: Adjust position
after wheelbase and
seat installation



2



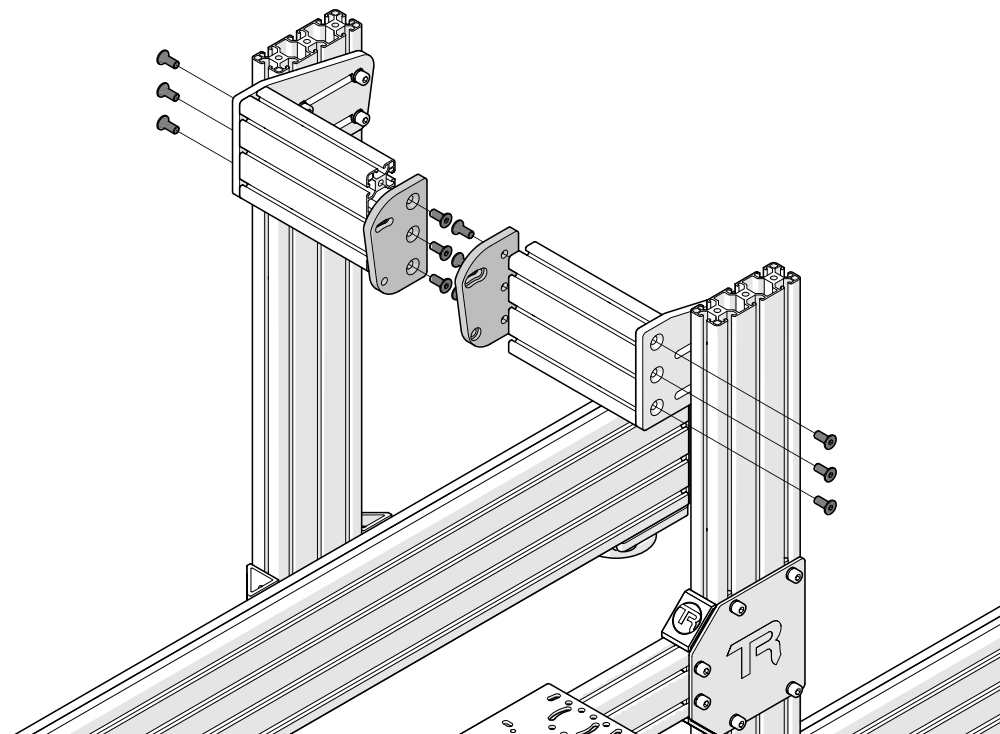
SF-M8-20 x12
M8x20mm



AT-120-180 x2



WM-TR1-WP x2

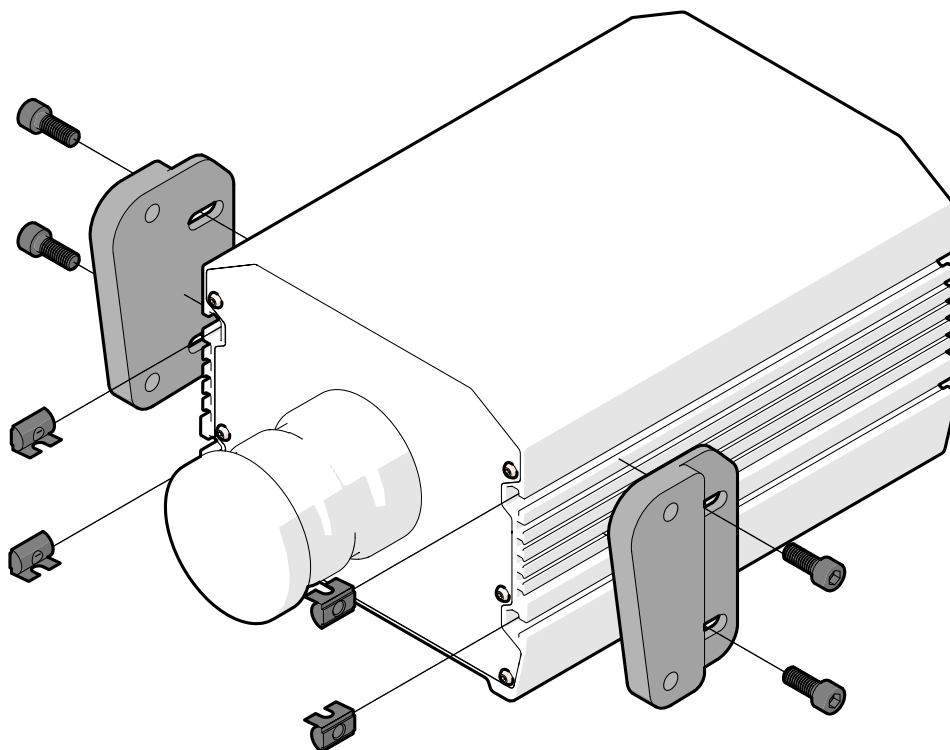


3

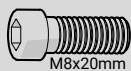
Note: Use screws and t-nuts provided with wheelbase.



WM-TR1-SM x2

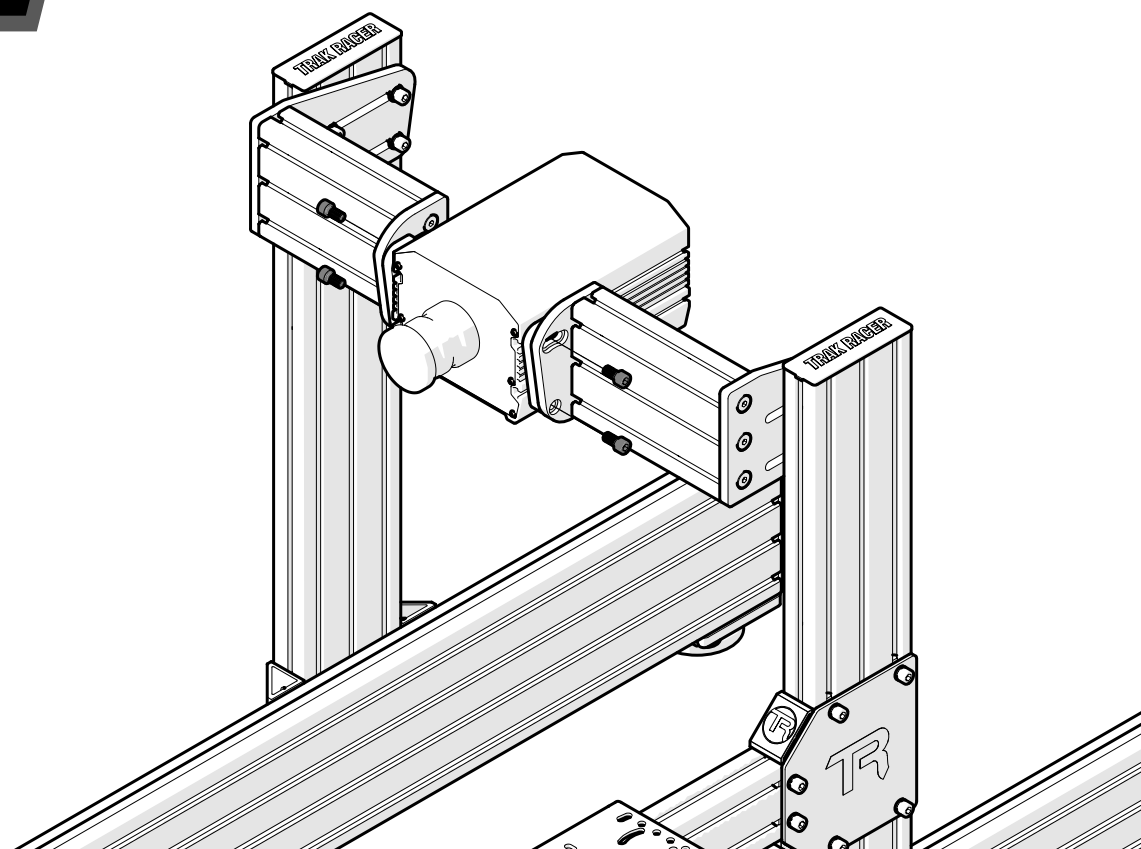


4

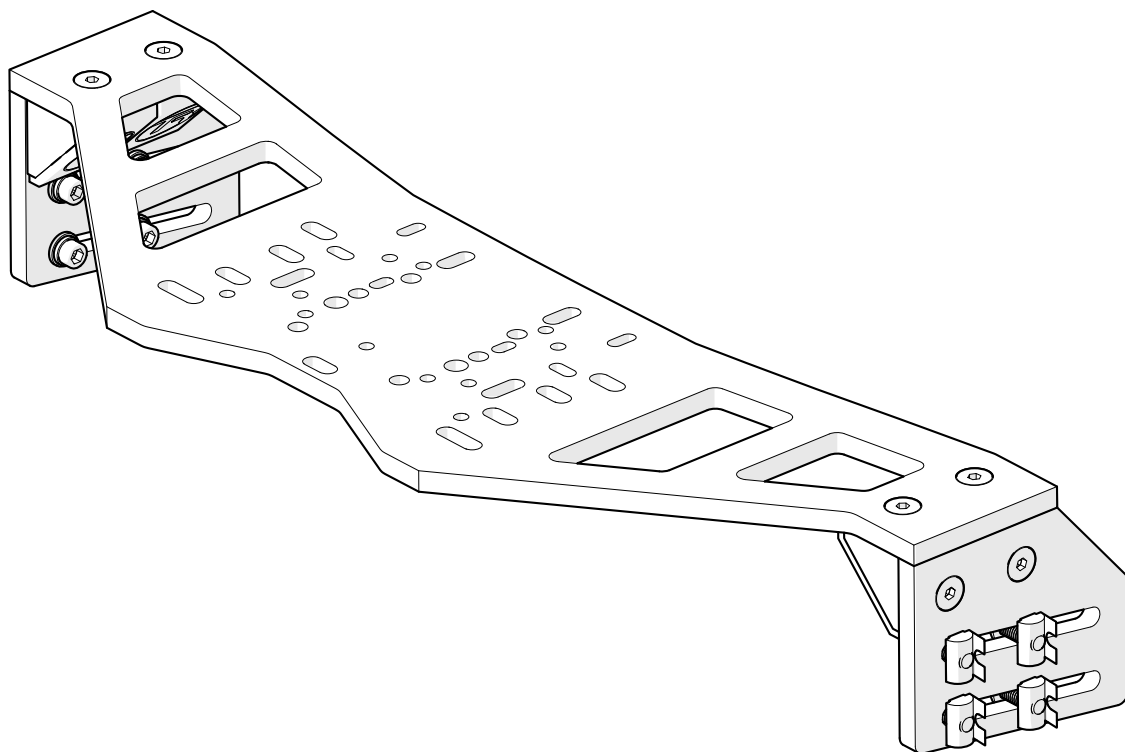


M8x20mm

SH-M8-16 x4



Wheel Mount Option 5



Universal Wheel Base Plate

Part #	Description	QTY	Check
BOX #: TR80-WMPLATE			
SH-M8-20	Screw (Hex), M8x20	8	
SF-M8-20	Screw (Flat), M8x20	8	
SH-M6-20	Screw (Hex), M6x20	4	
WF-M8	Washer (Flat), M8	8	
WL-M8	Washer (Lock), M8	8	
NF-M8	Nut (Flange), M8	8	
NS-M8	T-Nut (Spring), M8	8	
BC-40	Bracket, Corner with Cap, 40x40	4	
WM-WMP-DP	Wheel Mount, Universal, Deck Plate	1	
WM-WMP-PP	Wheel Mount, Universal, Profile Plates	2	

* **NOTE:** Extra hardware may be included as spare parts

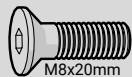
TR80-WMPLATE



TRAK RACER

Published 2022-07-17

1



M8x20mm

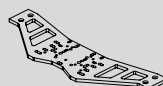
SF-M8-20 x4



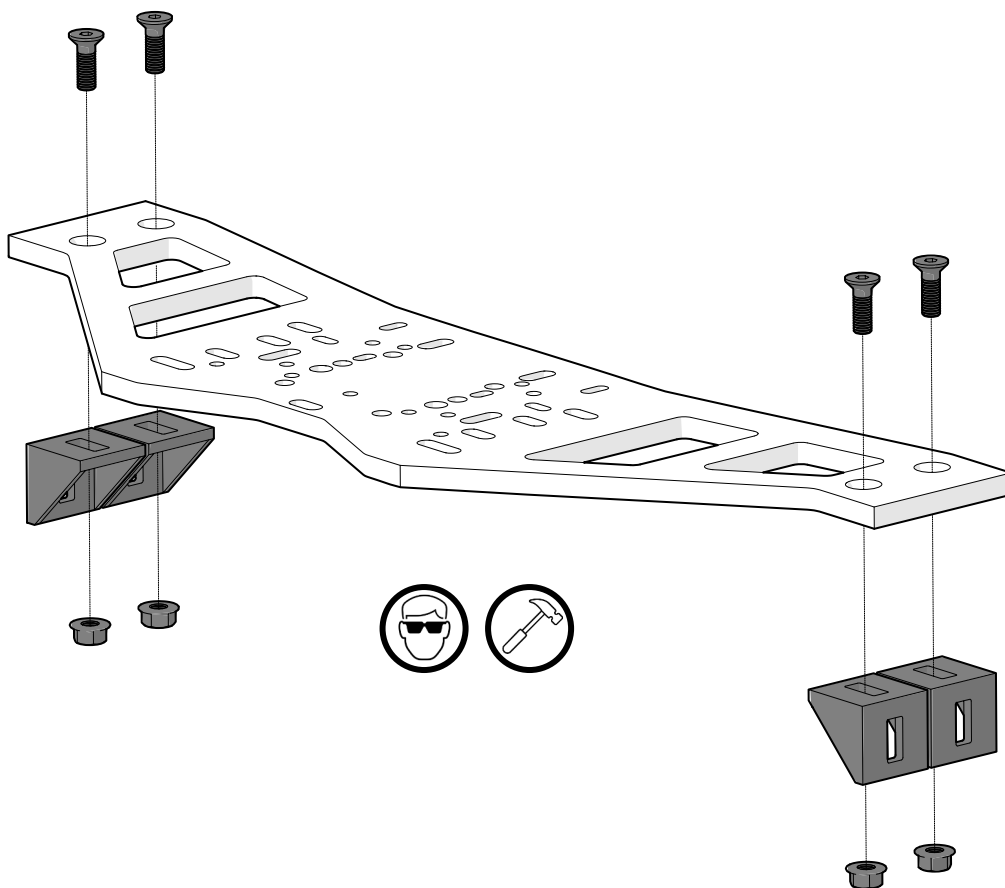
NF-M8 x4



BC-40 x4



WM-WMP-DP x1



2



M8x20mm

SF-M8-20 x4



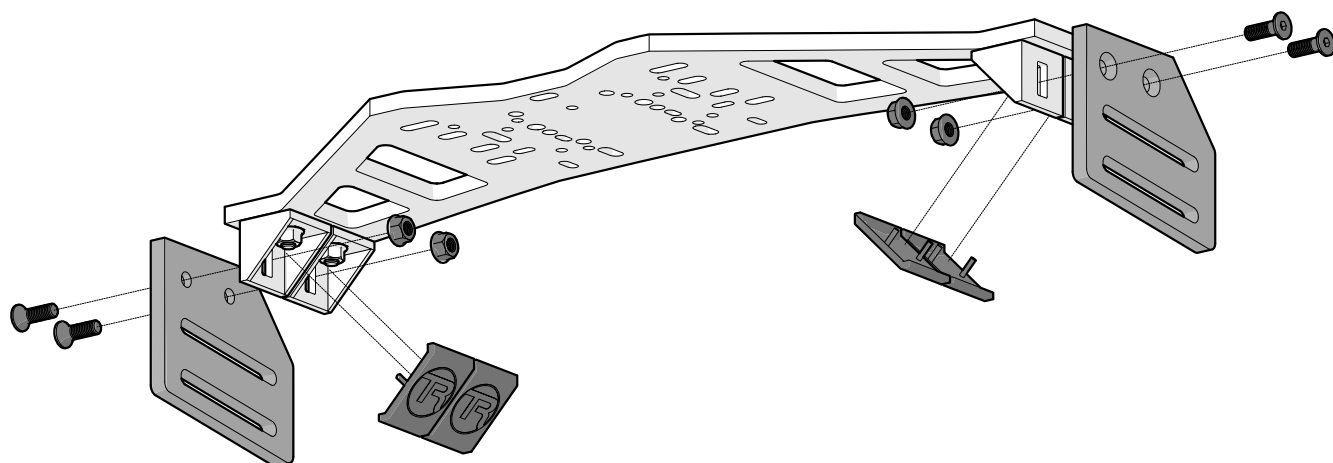
NF-M8 x4



WM-WMP-PP x4



BC-40 x4



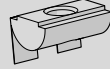
3



SH-M8-20 x8

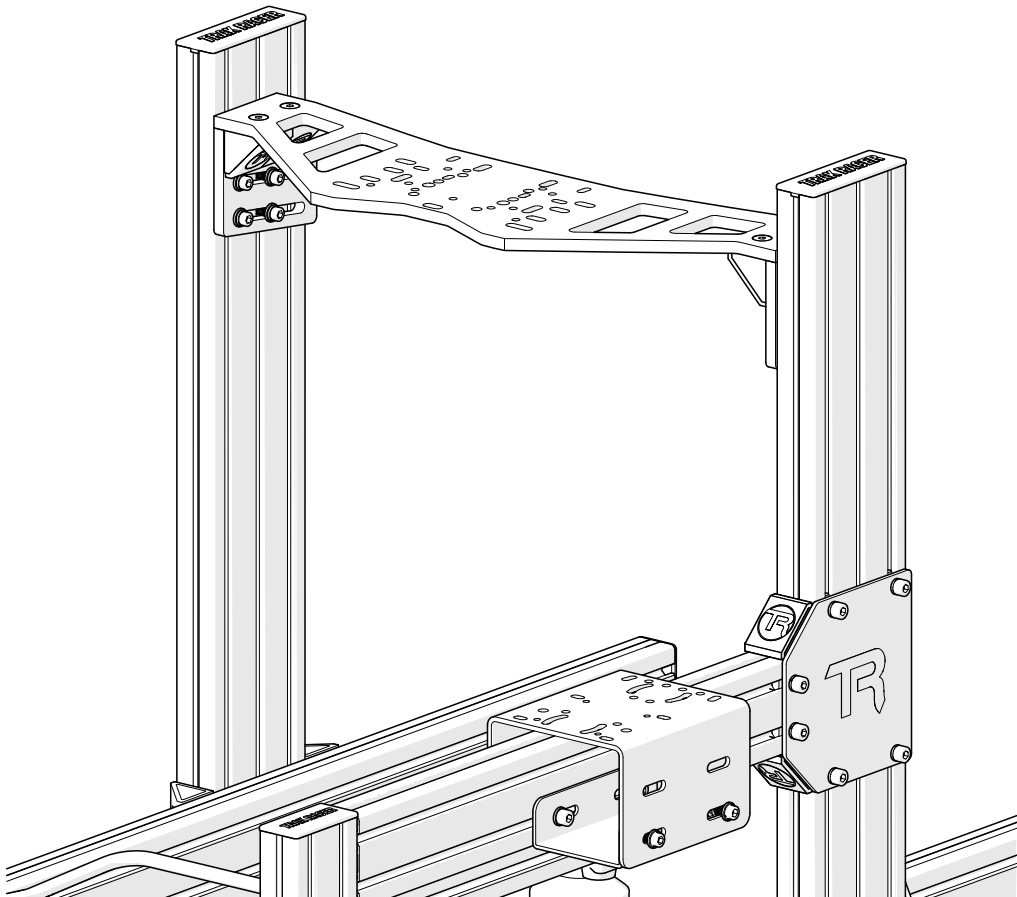
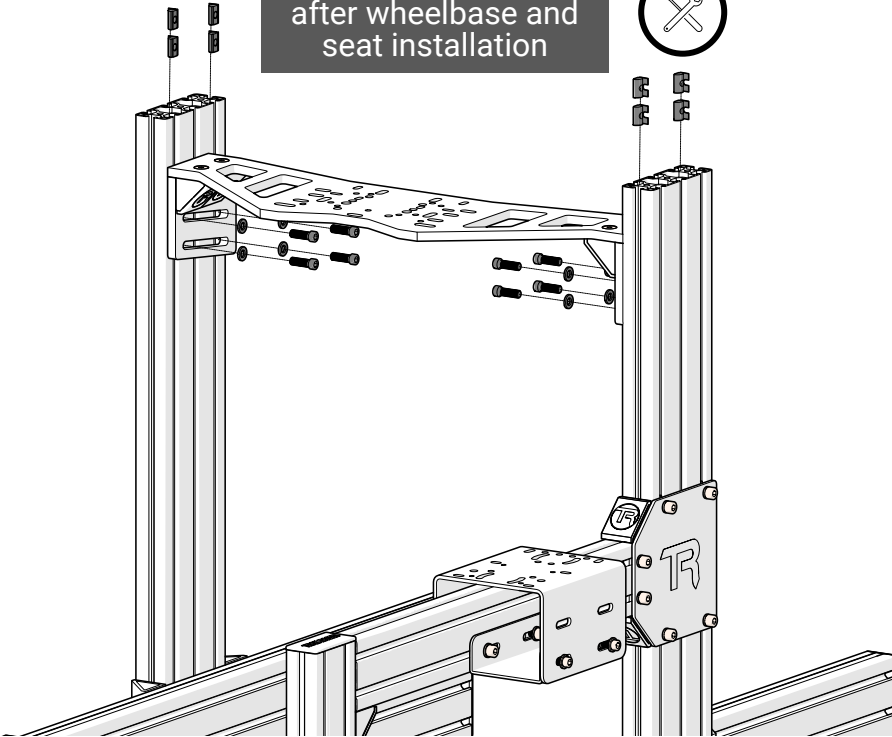


WF-M8 x8



NS-M8 x8

NOTE: Adjust position
after wheelbase and
seat installation



FINISHED



Share your build online and tag us to be featured!



@trakracer



@trakracer



@trak_racer