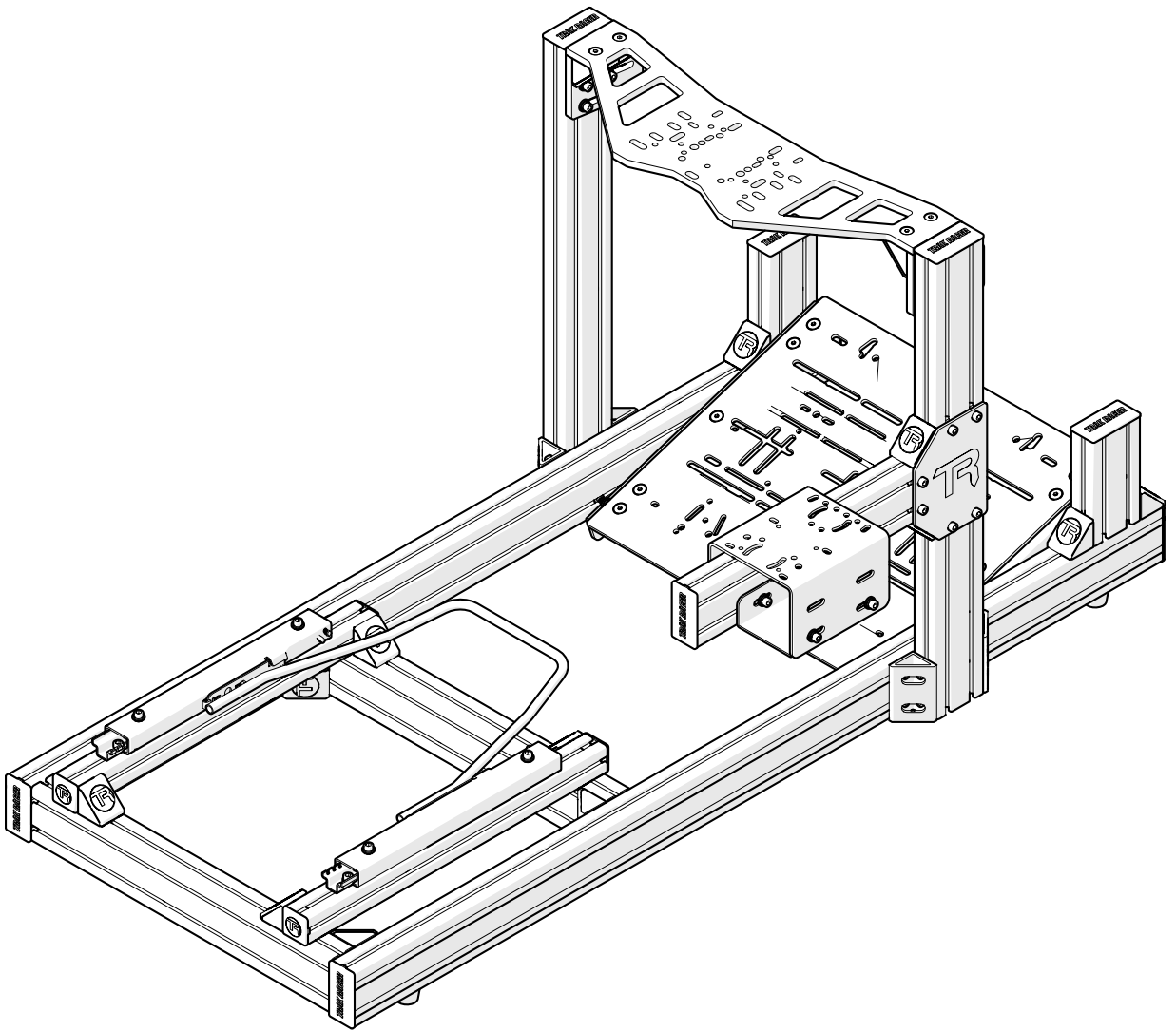


TR80-LITE

Assembly Guide



IMPORTANT: As there are different versions of each rig depending on your region, please ensure that you are using the correct instruction set. The part number below should match the part number labeled on your box

TR80-LITE



TRAK RACER

Published 2022-12-06

TABLE OF CONTENTS

3 Symbol Legend

4 Part list

5 Assembly Notes

9 TR80-LITE Assembly Instructions

15 Seat Slider Option

17 Recliner seat installation

21 GT/Rally seat installation

23 Wheel Mount Option 1

28 Universal Shifter Mount



IMPORTANT: As there are different versions of each rig depending on your region, please ensure that you are using the correct instruction set. The part number below should match the part number labeled on your box



IMPORTANT: Due to the nature of cut aluminium profile, some metal shavings may still be present after our extensive QA cleaning process. We recommend that boxes and packaging is opened on a hard floor.



NOTE: Some screws and washers are pre-installed. These will be part of the parts list and will need to be loosened and reattached according to the instructions.



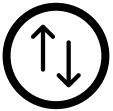
Two people needed



Tighten hardware



Leave hardware loose for adjustment



Make Adjustment



Break tab off Corner bracket CB1



Safety glasses needed



Attention / Priority



Reserve for following step



Mirrored Components (Same on both sides)

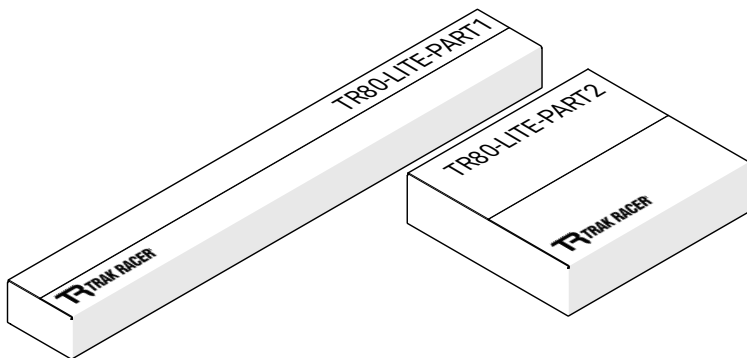


IMPORTANT: As there are different versions of each rig depending on your region, please ensure that you are using the correct instruction set. The part number below should match the part number labeled on your box

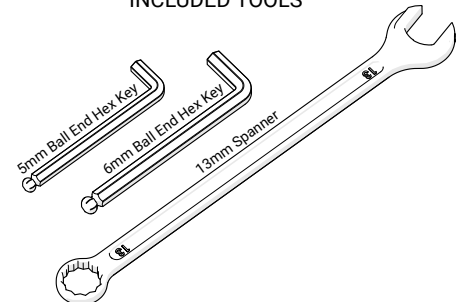
TR80-LITE PARTS LIST

Part #	Description	QTY	Check
TR80-LITE-PART1			
PS-1350-R	Profile strip, 1350mm Red	2	
AL-80-1350	Aluminum Profile, 40x80x1350mm	2	
AL-80-660	Aluminum Aluminum Profile, 40x80x660mm	2	
AL-80-500	Aluminum Aluminum Profile, 40x80x500mm	2	
TR80-LITE-PART2			
AL-80-150	Aluminum Profile, 40x80x150mm	2	
CC-01	Cable Management clips	10	
BC-40	Bracket, Corner with Cap, 40x40	18	
BA-80-BLK	Bracket, Anodized corner, 40x80, Black	4	
EC-80	End Cap, 40x80	9	
EC-40	End Cap, 40x40	4	
FR-01	Feet, Rubber	4	
PP-NP-LB	Pedal Plate, L Bracket	2	
NF-M8	Nut (Flange), M8	10	
NS-M8	T-Nut (Spring), M8	10	
NS-M8	T-Nut (Spring), M8	40	
NS-M8	T-Nut (Spring), M8	14	
NS-M6	T-Nut (Spring), M6	4	
AL-40-500	Aluminum Profile, 40x40x500mm	2	
AL-80-400	Aluminum Aluminum Profile, 40x80x400mm	1	
PP-80-TP	Pedal Plate, TR80 Top Plate	1	
SH-M8-16	Screw (Hex), M8x16	16	
SH-M8-20	Screw (Hex), M8x20	34	
SH-M8-20	Screw (Hex), M8x20	14	
SH-M6-20	Screw (Hex), M6x20	4	
SF-M8-20	Screw (Flat), M8x20	10	
BP-80-H	Bracket (Plate), 80, Horizontal	1	
TK-M8	Tool Kit, M8	1	
WF-M8	Washer (Flat), M8	34	
WF-M8	Washer (Flat), M8	14	
WL-M8	Washer (Lock), M8	34	
WL-M8	Washer (Lock), M8	14	

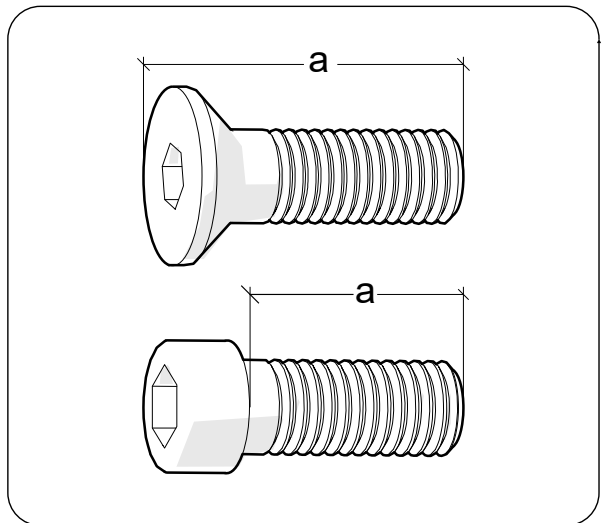
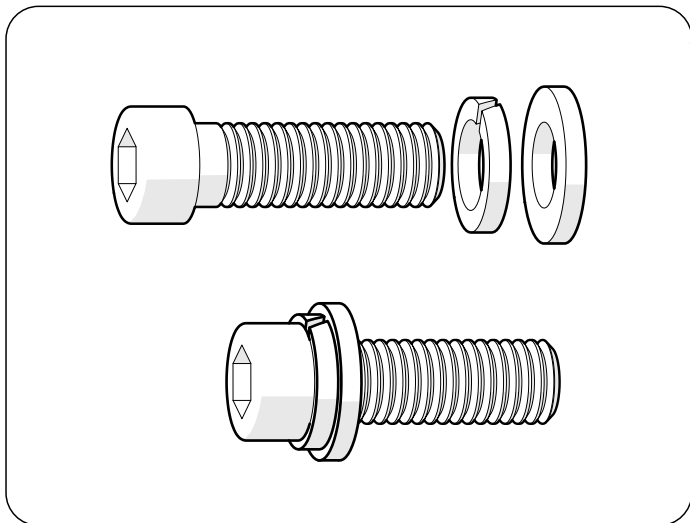
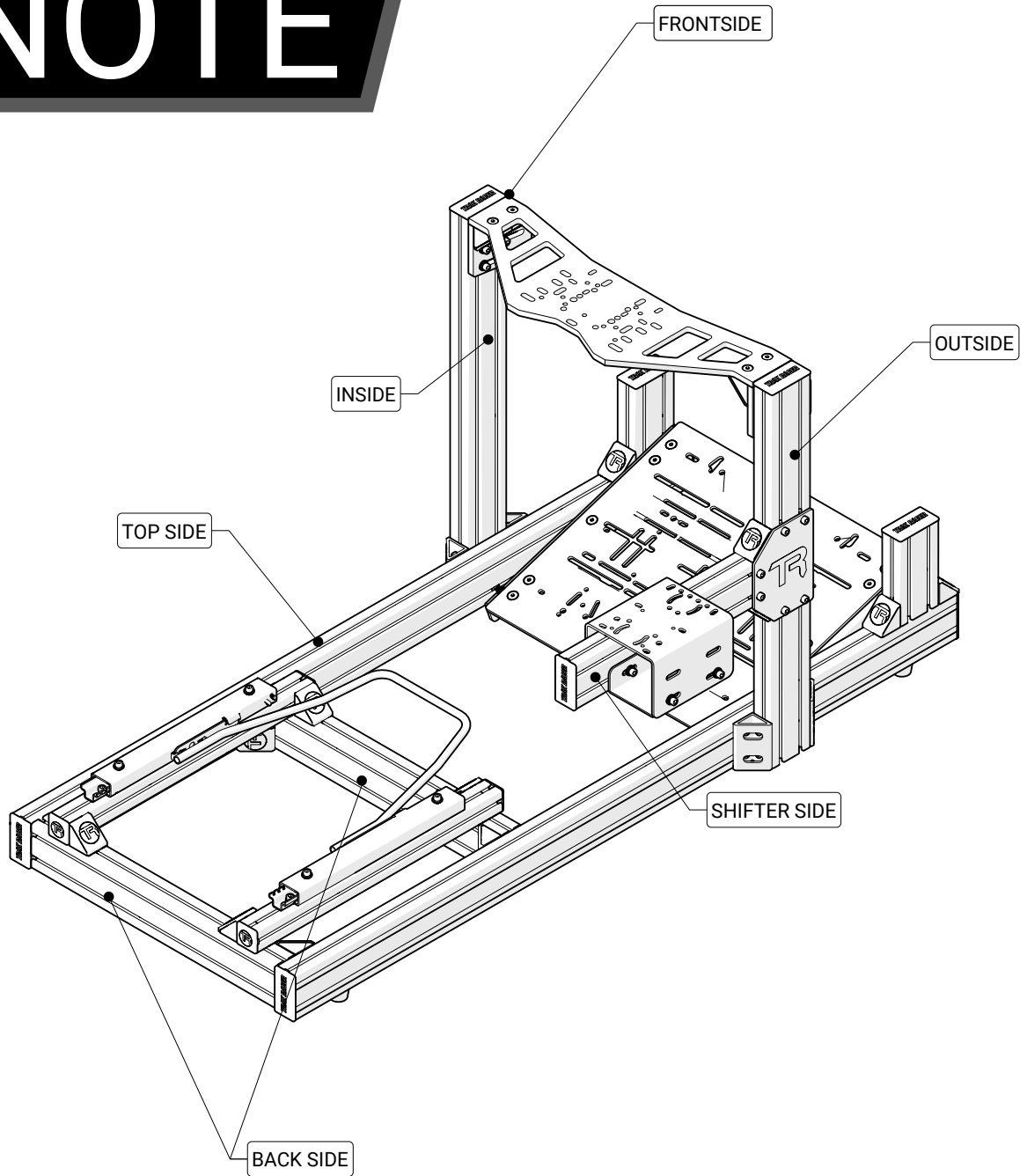
* **NOTE:** Extra hardware may be included as spare parts



INCLUDED TOOLS

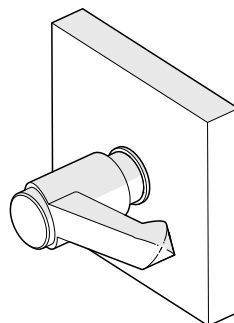
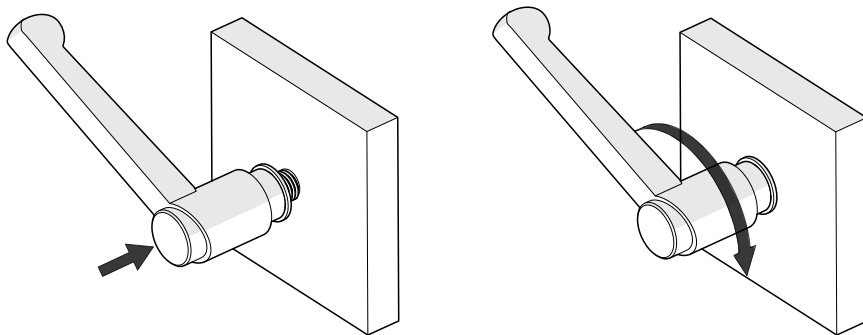
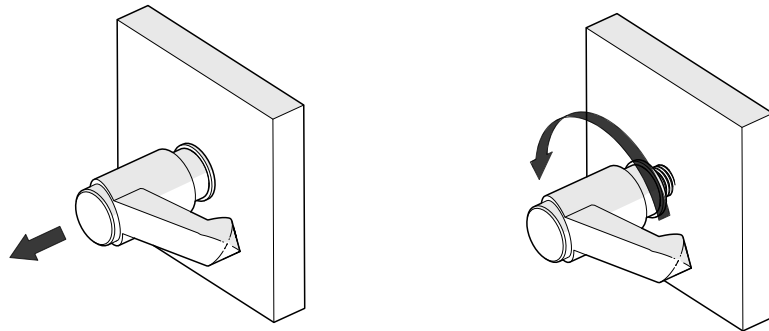
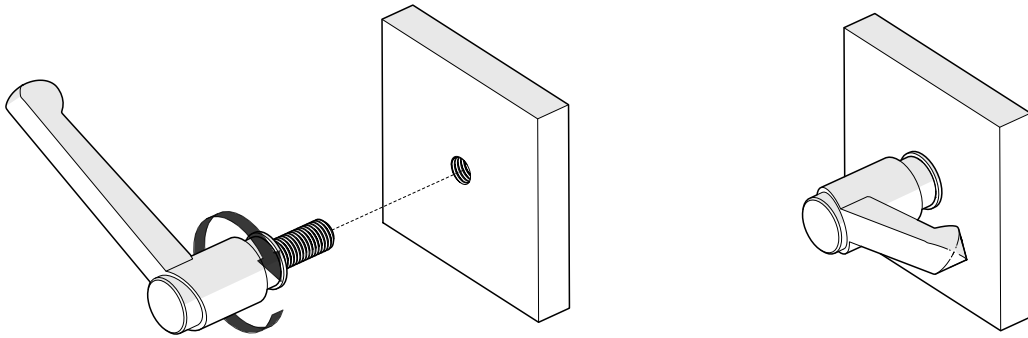


NOTE



NOTE

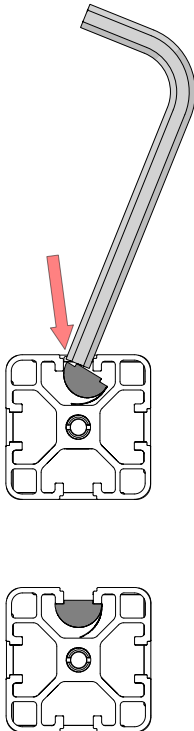
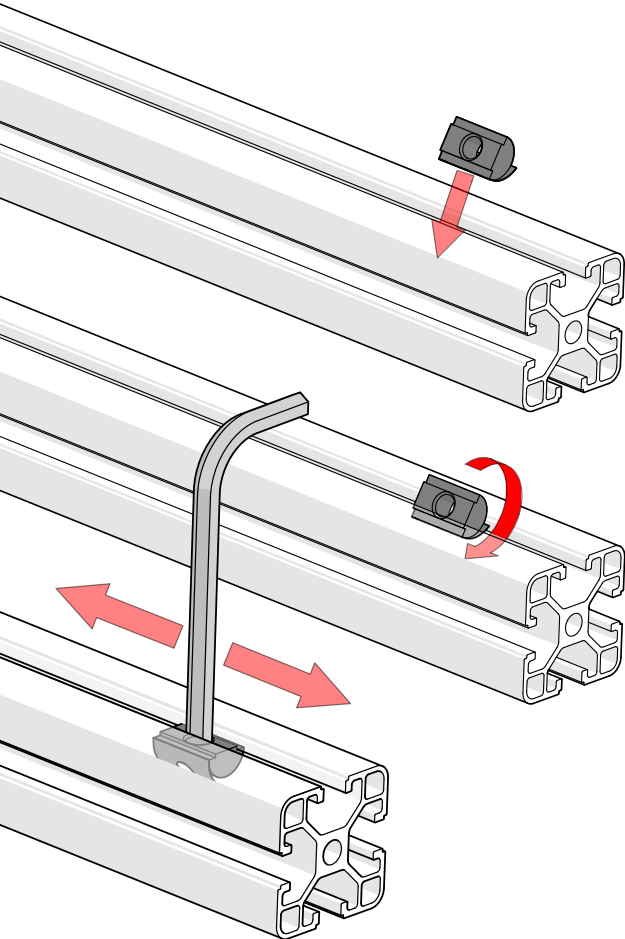
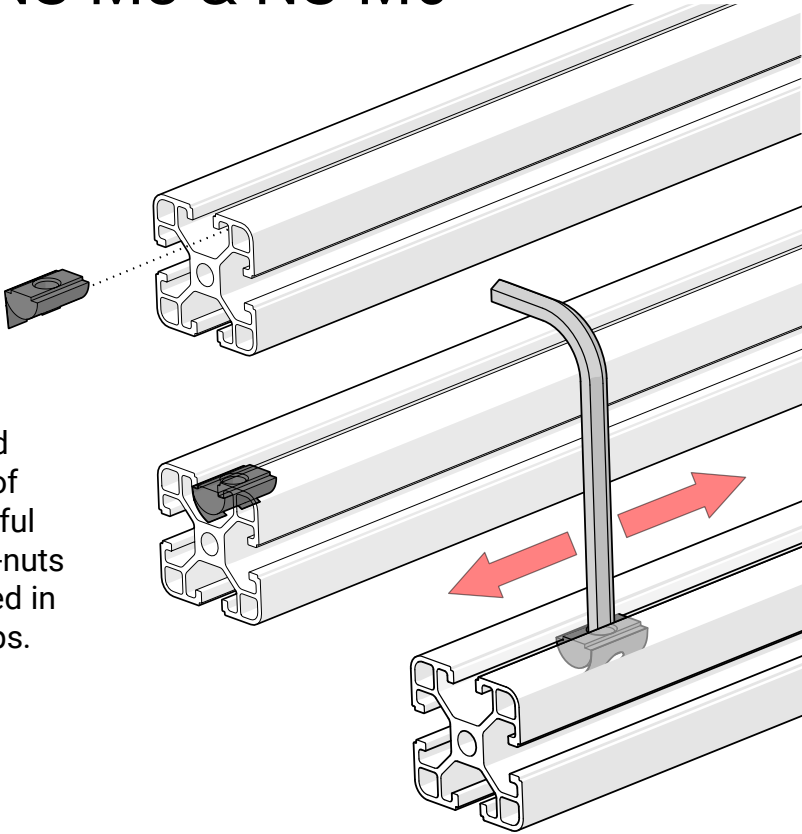
The handle screws (SL-M8-20 & SL-M8-25) are ratcheted to allow for tightening and loosening when space for rotation is limited. Simply pull the handle out and turn handle into position and push handle back in to engage thread.



NOTE

NS-M8 & NS-M6

It is strongly advised that spring T-Nuts are inserted by sliding from the ends of profiles. Please take careful note of each step of all T-nuts as some are to be installed in anticipation of future steps.

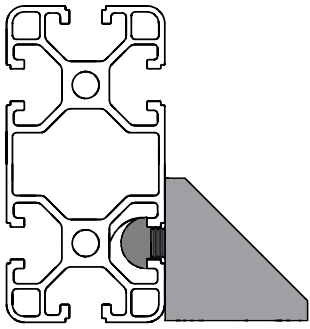
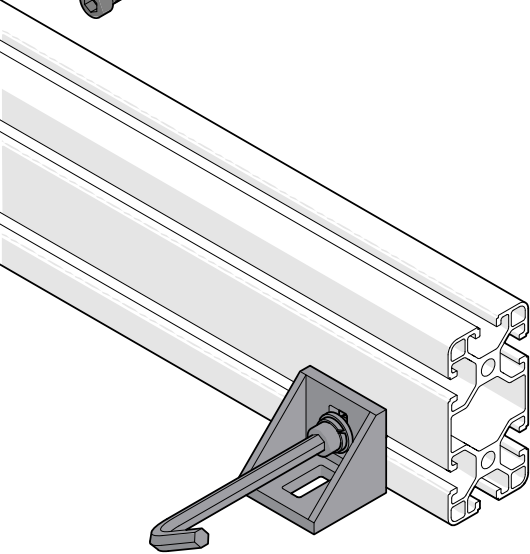
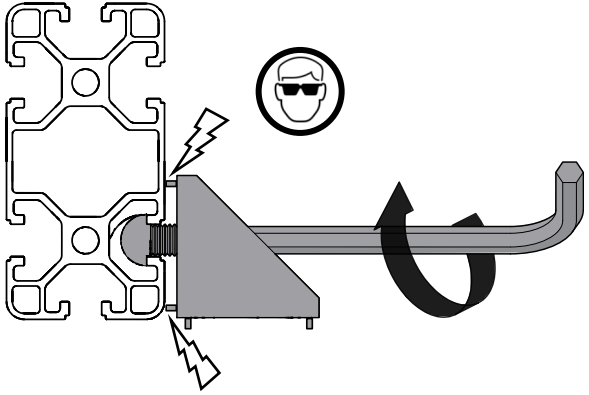
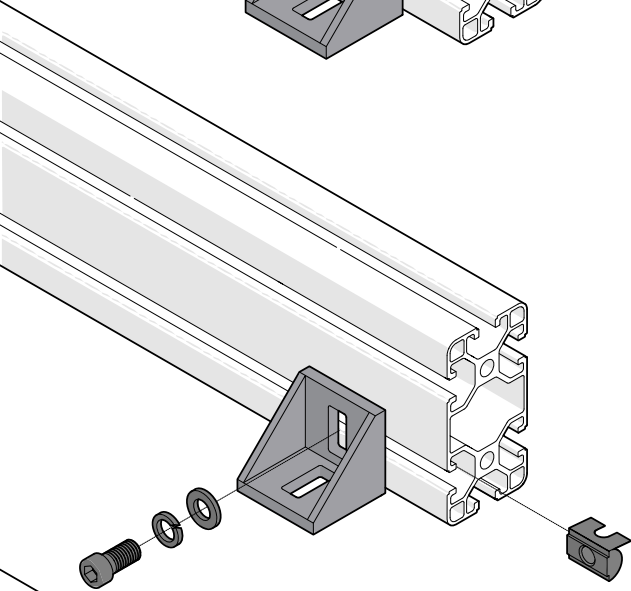
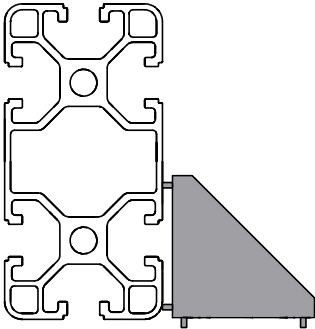
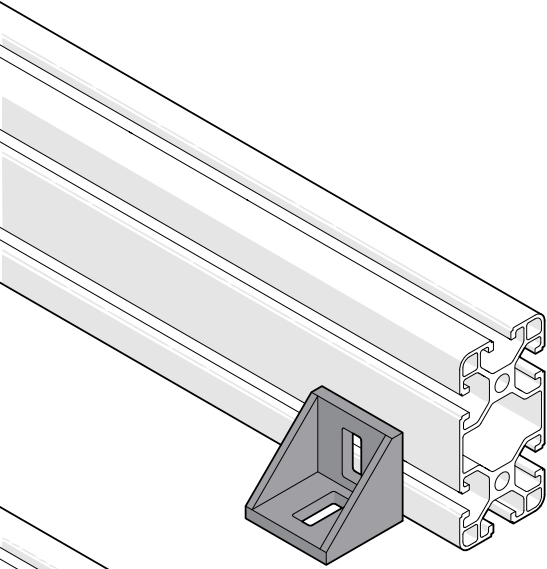


If T-Nuts are skipped, and the ends are no longer accessible, they can be inserted by "rocking" them in from the outer face as shown.

Use the provided allen key to push the T-Nut into position and place the hole to slide into position.

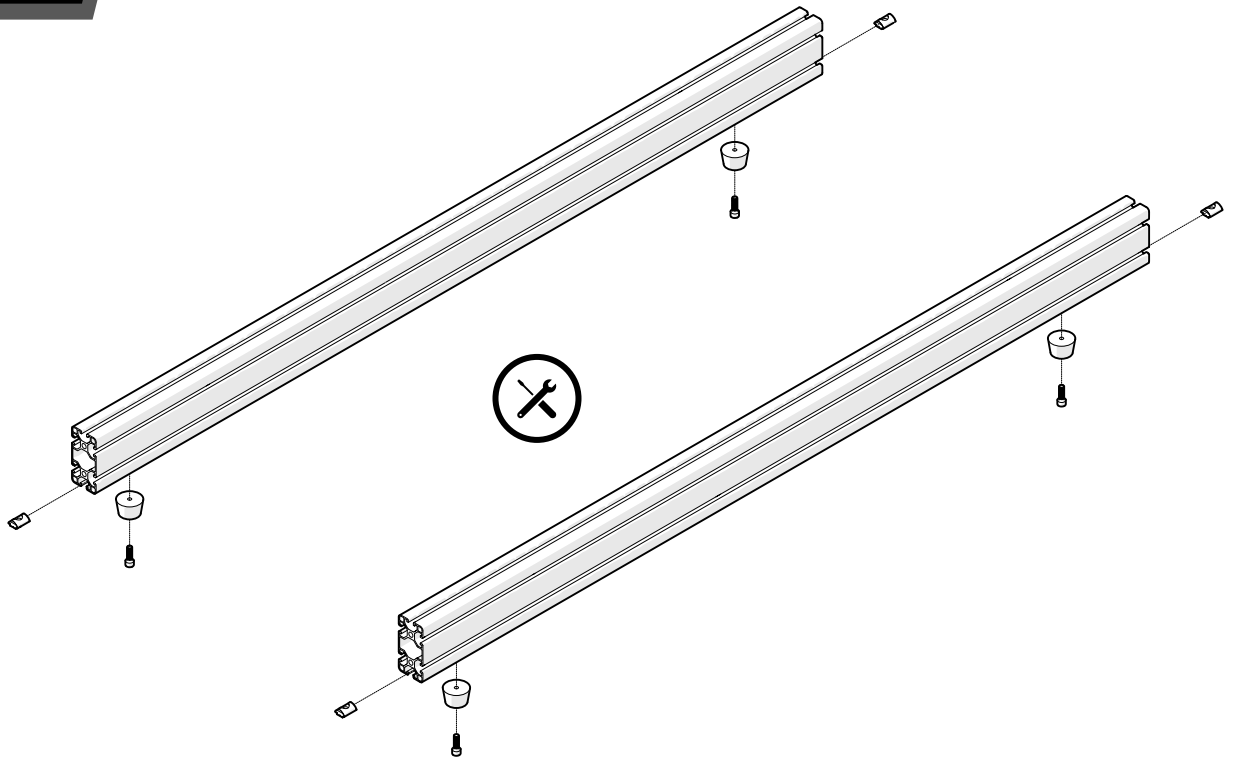
NOTE

BC-40



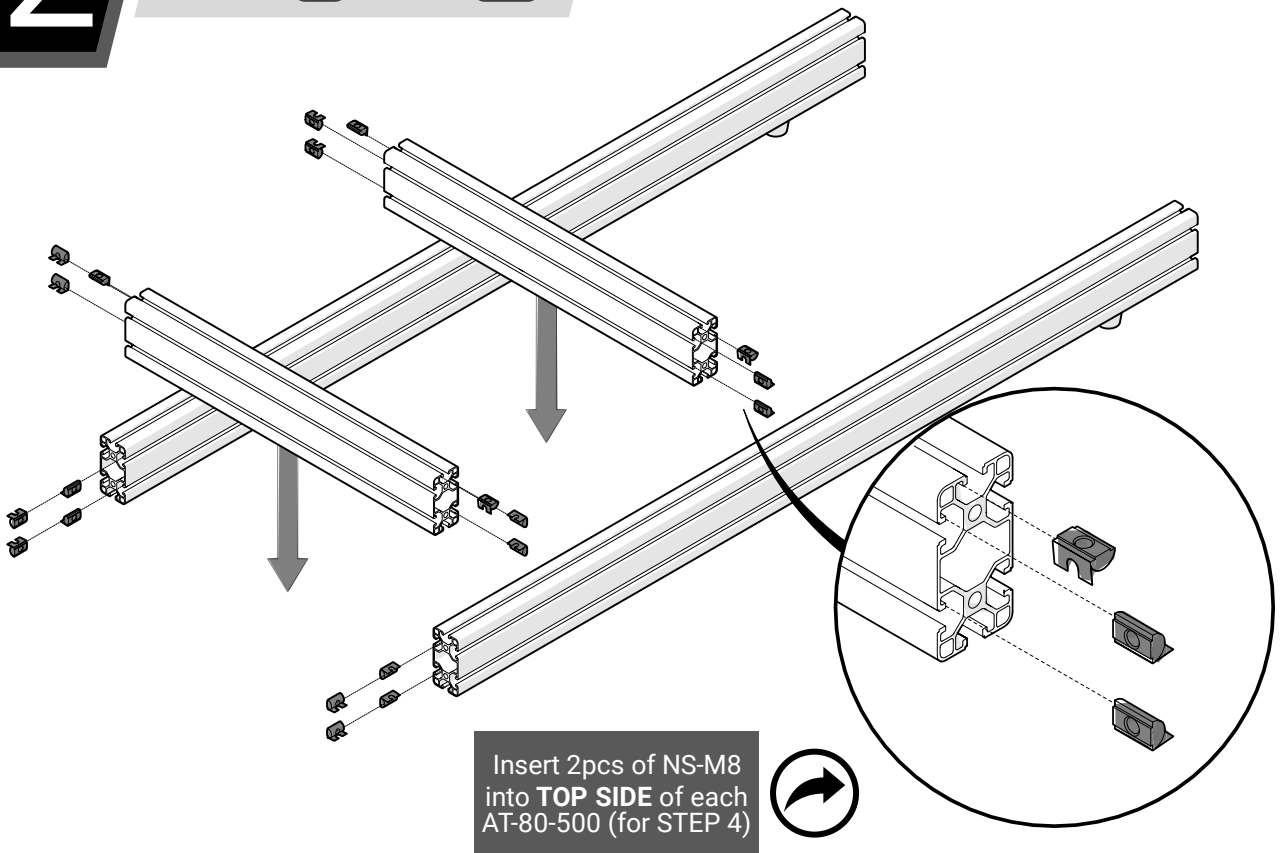
1

- AT-80-1200 x2
- NS-M6 x4
- FR-01 x4
- SH-M6-20 x4

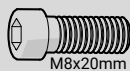


2

- AT-80-500 x2
- NS-M8 x20



3



M8x20mm

SH-M8-20 x16



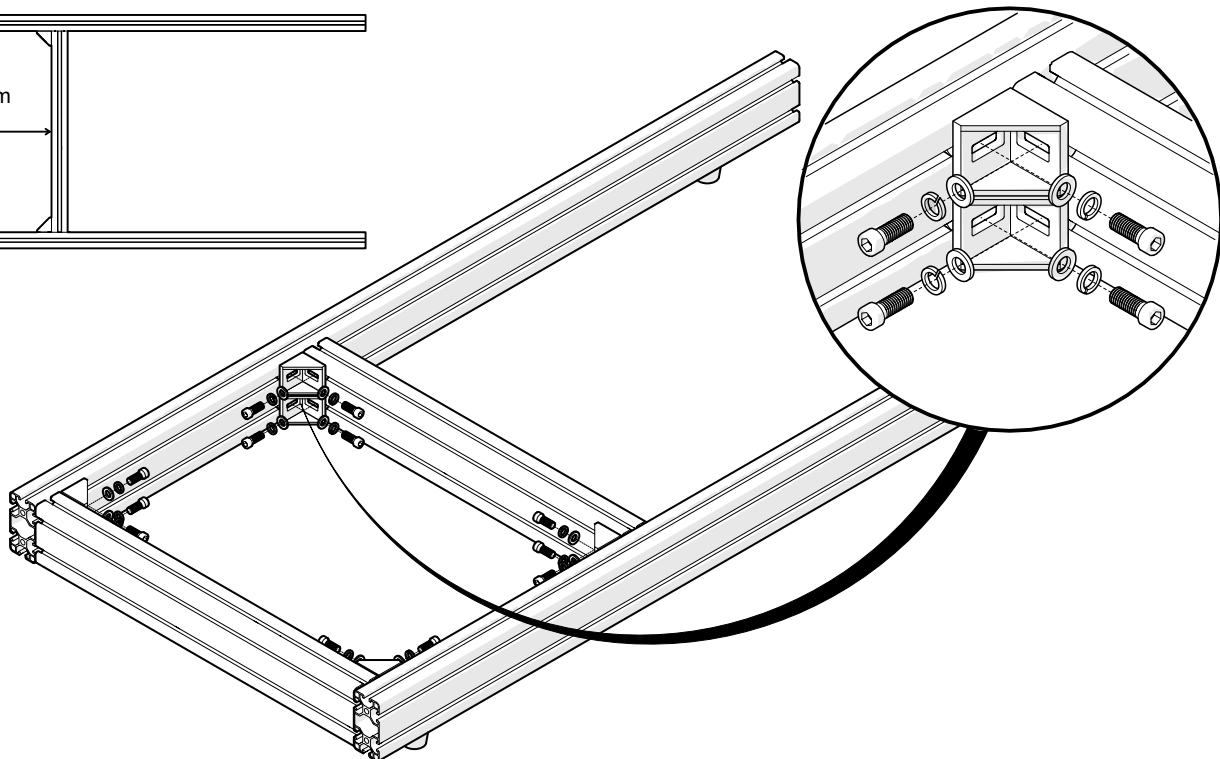
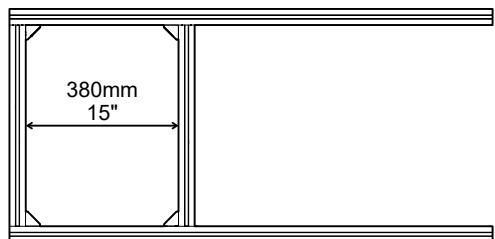
WL-M8 x16



WF-M8 x16



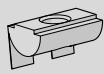
BC-40 x8



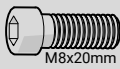
4



AL-40-500 x2



NS-M8 x4



M8x20mm

SH-M8-20 x8



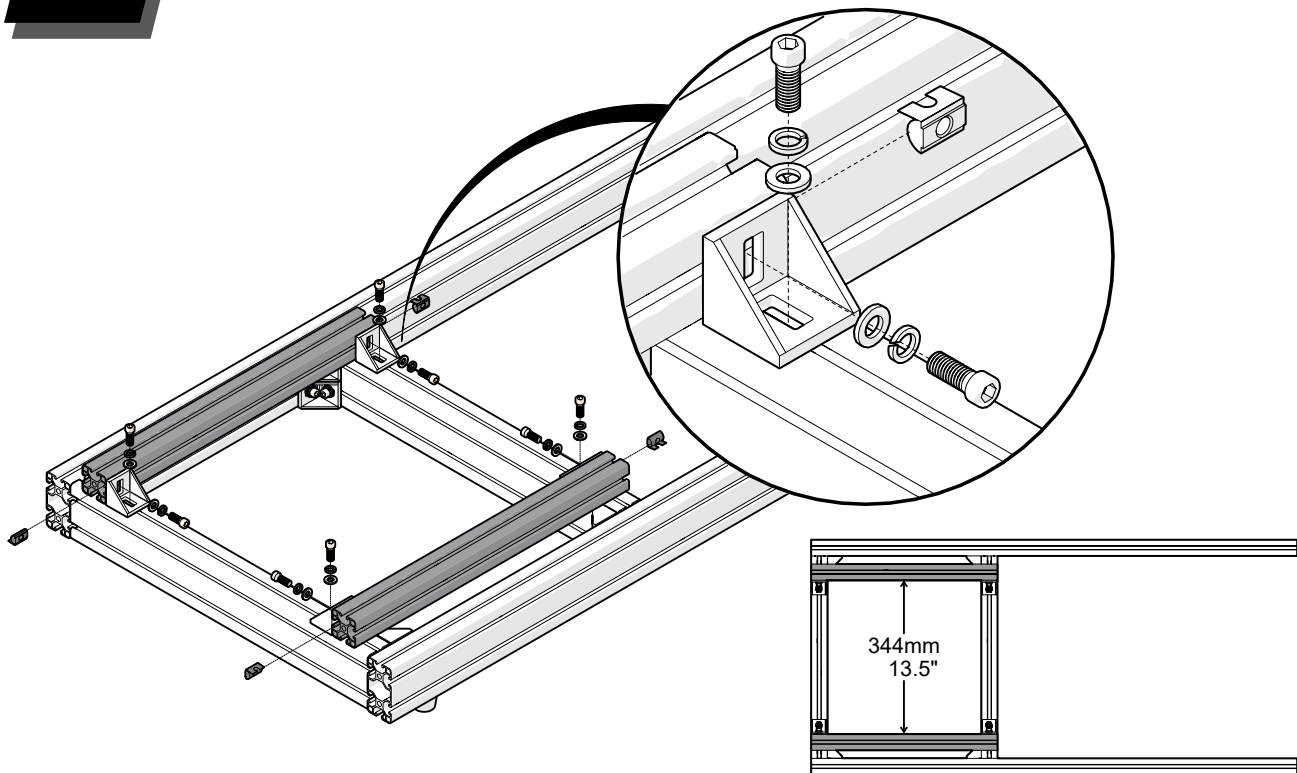
WL-M8 x8



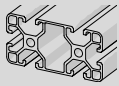
WF-M8 x8



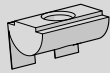
BC-40 x4



5



AL-80-660 x2



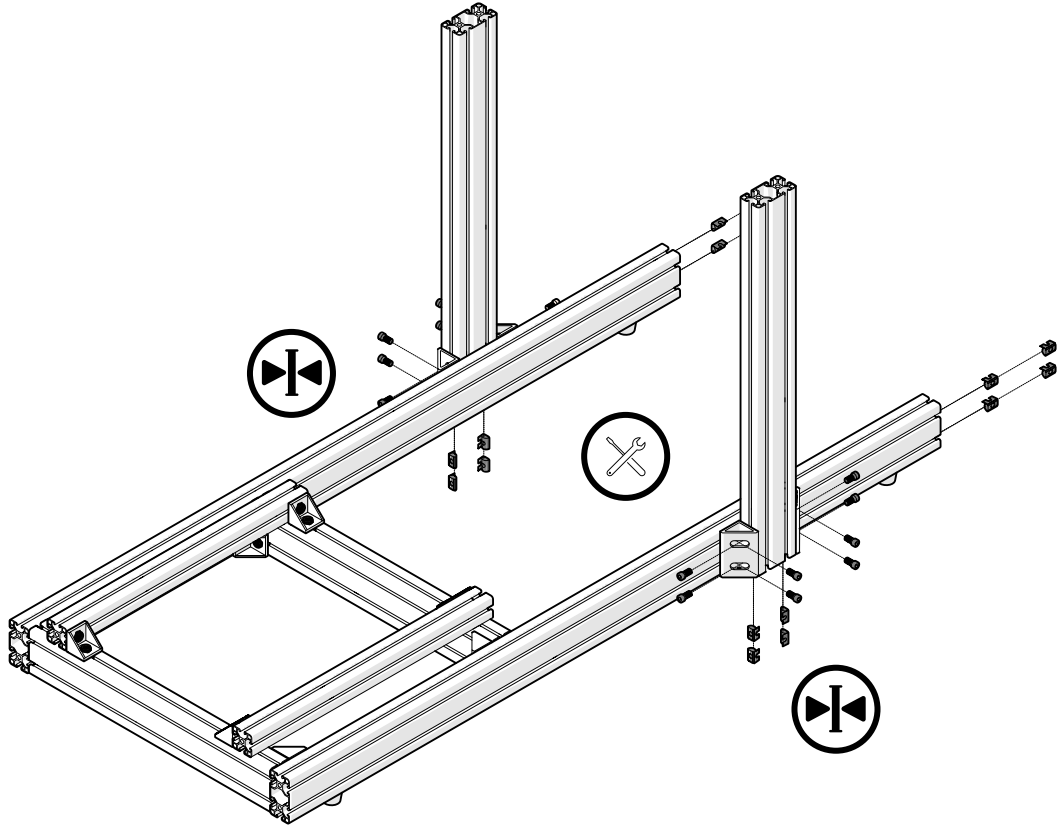
NS-M8 x16



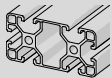
SH-M8-16 x16



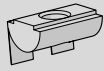
BA-80-BLK x16



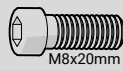
6



AL-80-240 x2



NS-M8 x8



SH-M8-20 x4



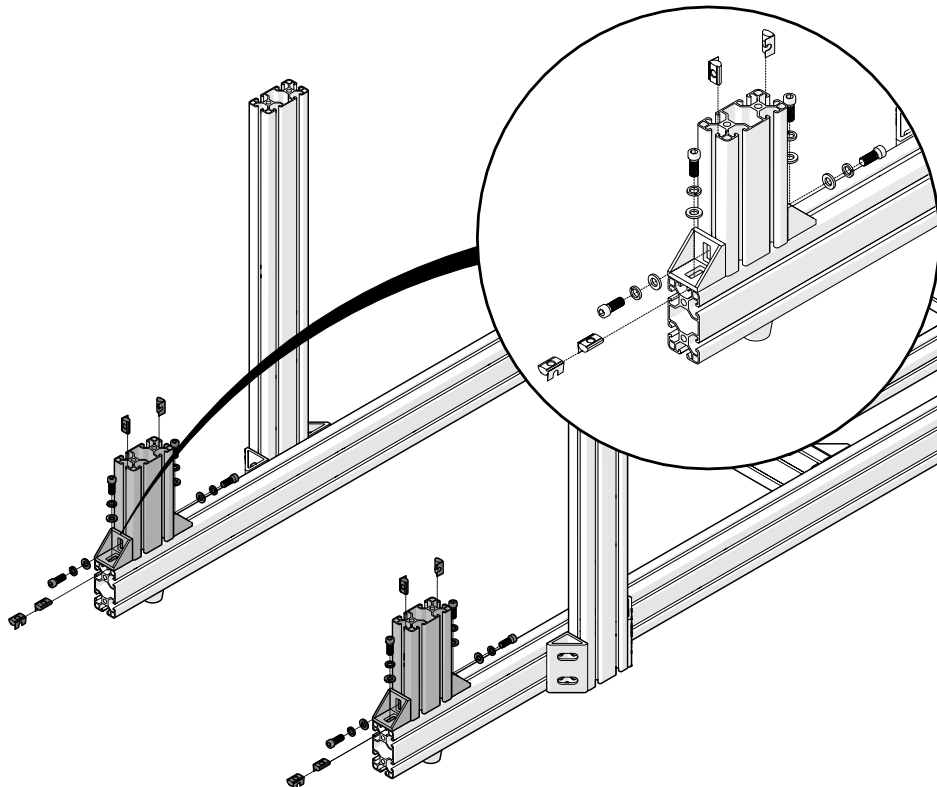
WL-M8 x8



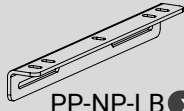
WF-M8 x8



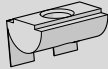
BC-40 x4



7



PP-NP-LB x2



NS-M8 x6



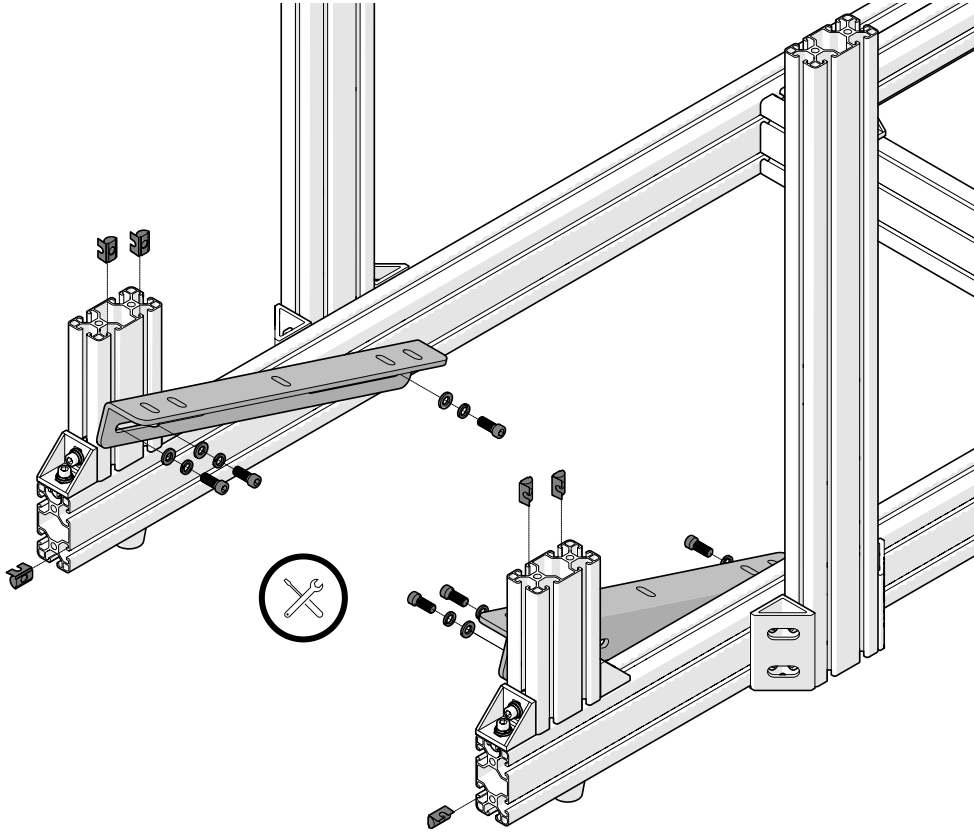
SH-M8-20 x6



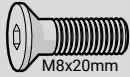
WL-M8 x6



WF-M8 x6



8



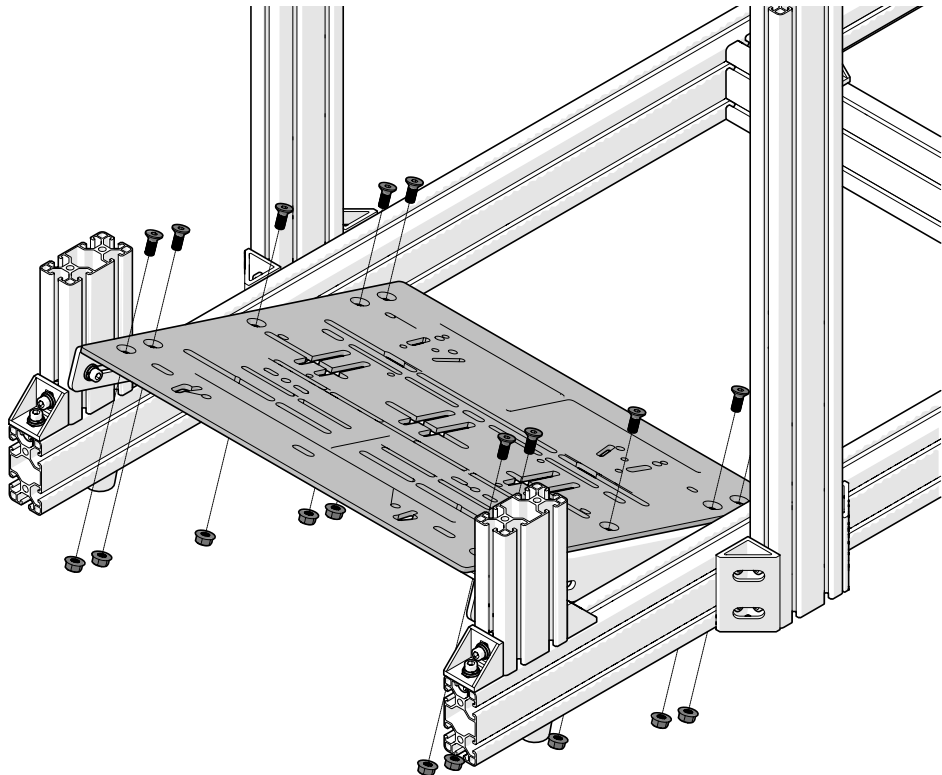
SF-M8-20 x10



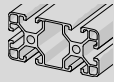
NF-M8 x10



PP-80-TP x1



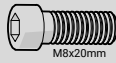
9



AL-80-400 x1



NS-M8 x10



SH-M8-20 x10



WL-M8 x10



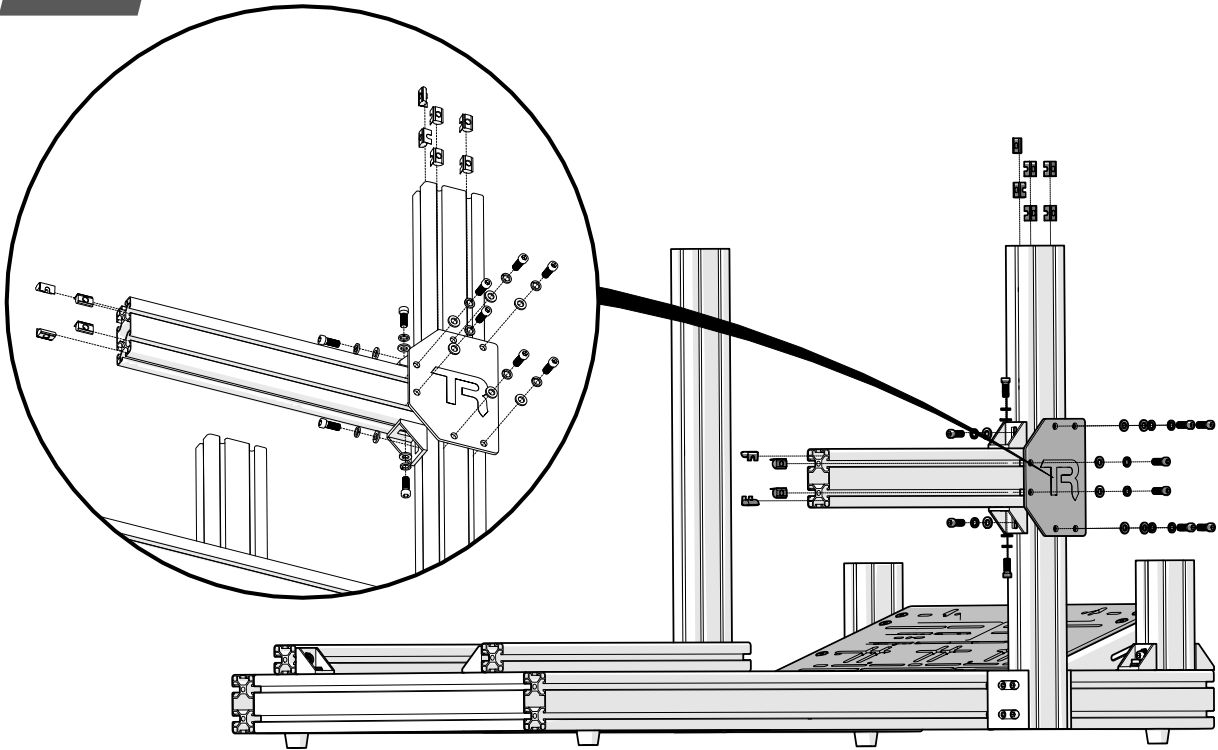
WF-M8 x10



BC-40 x2



BP-80-H x1



10



BC-40 x18

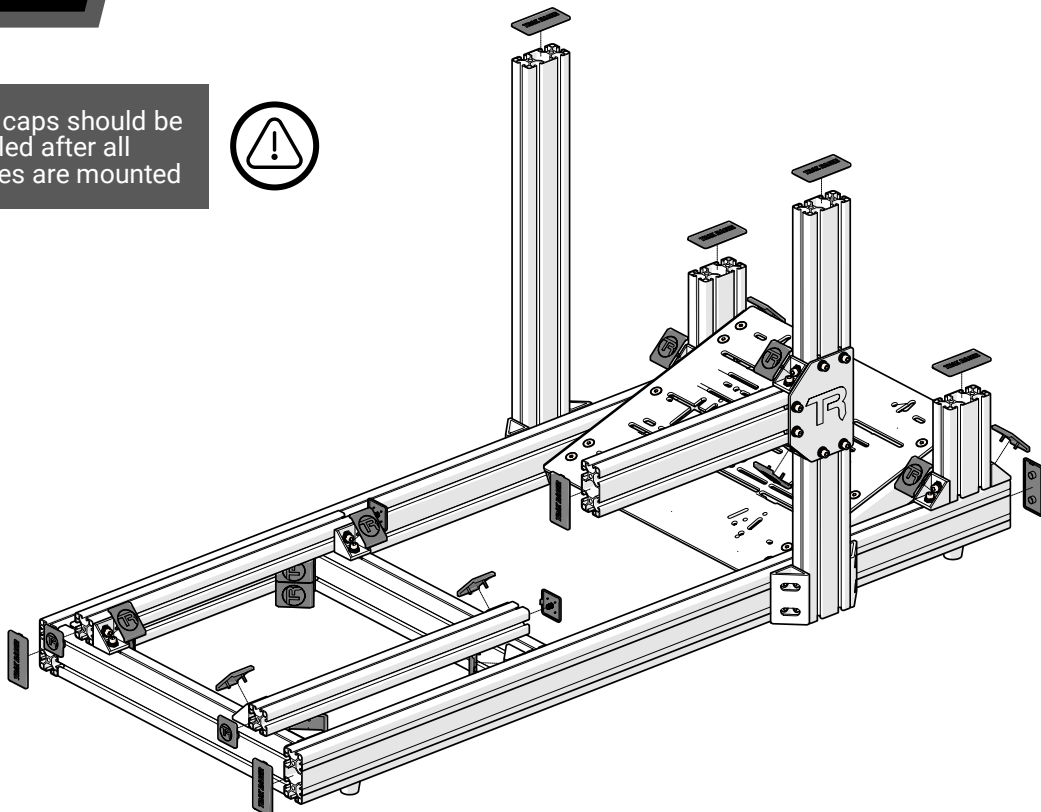


EC-40 x4



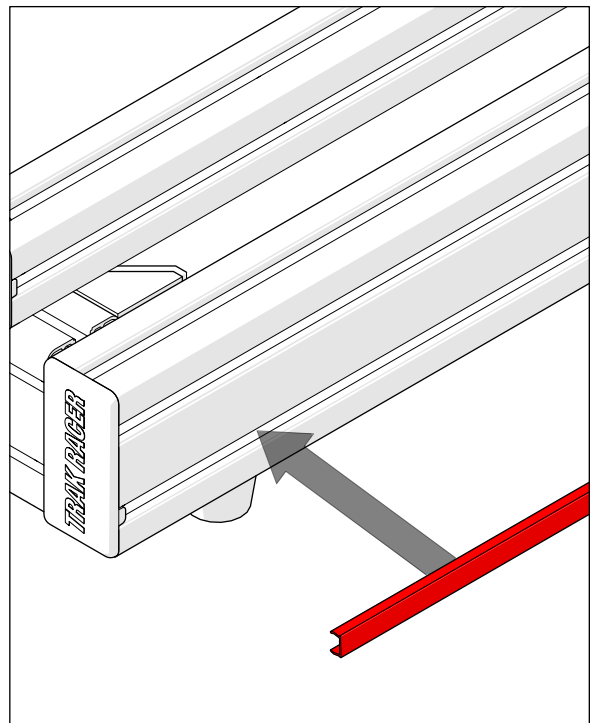
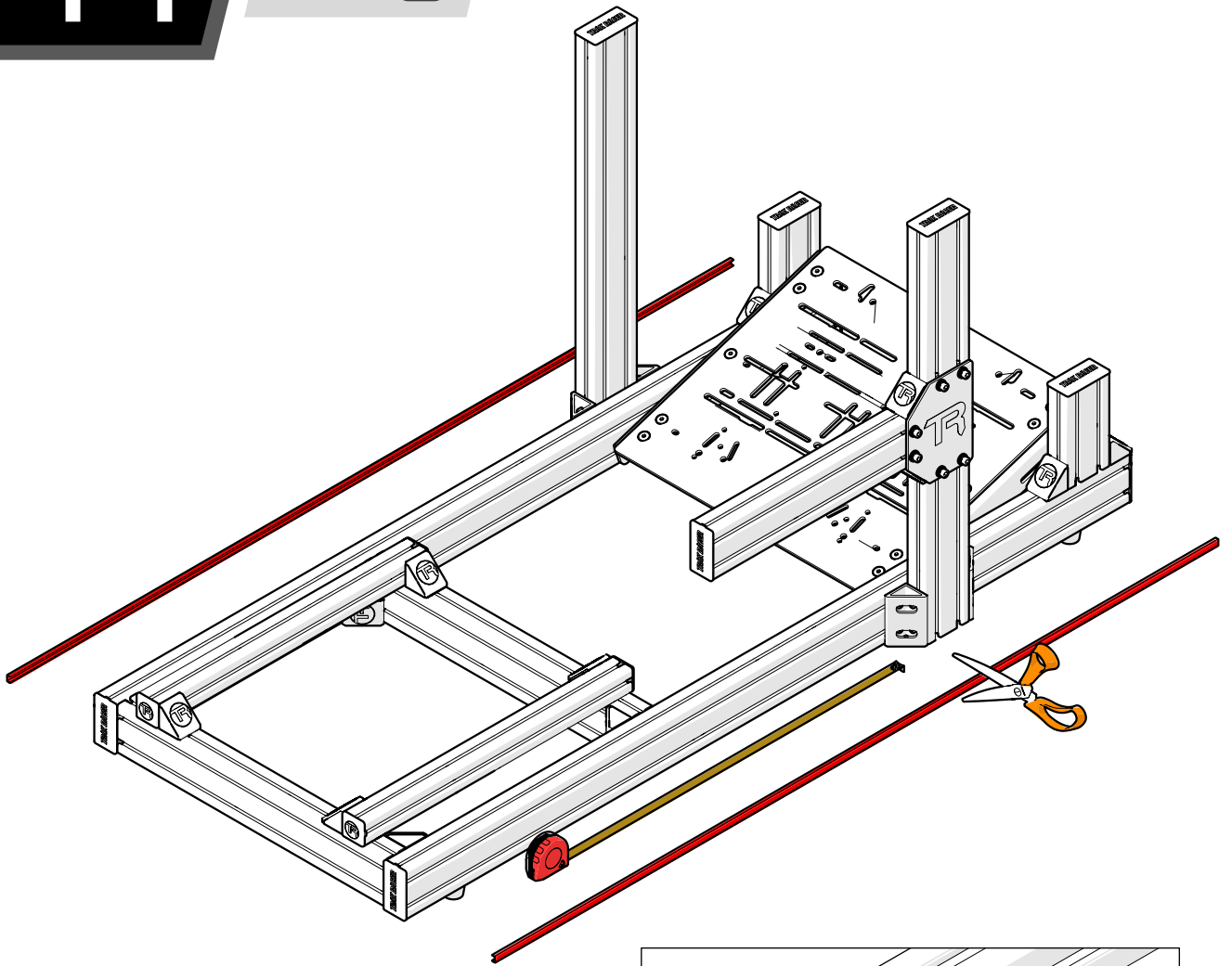
EC-80 x9

Note: End caps should be installed after all accessories are mounted

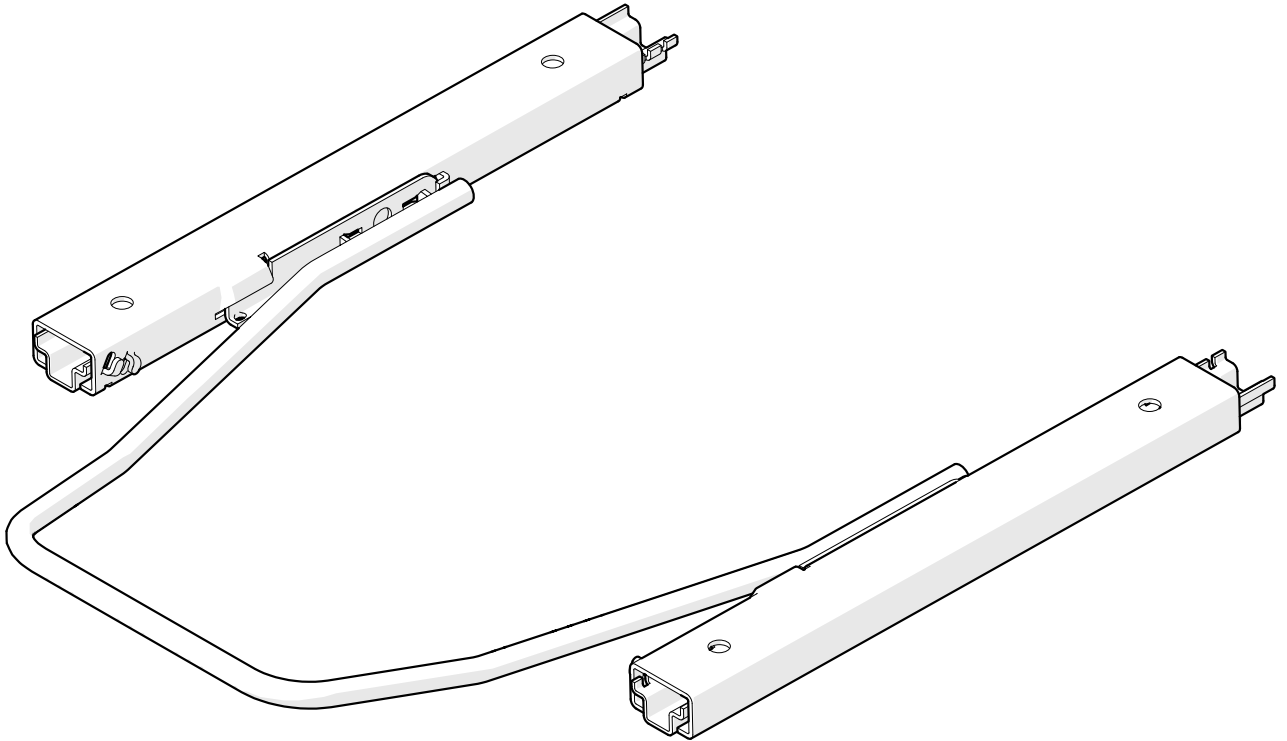


11

PS-1350-R x4



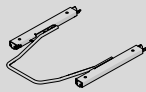
Seat Slider Assembly



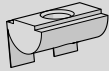
Part #	Description	QTY	Check
SS-01	Seat Slider	1	
SH-M8-16	Screw (Hex), M8x16	4	
NL-M8	Nut (Locking), M8	4	
WF-M8	Washer (Flat), M8	4	
WL-M8	Washer (Lock), M8	4	

TR80-SLIDER

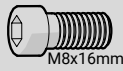
1



SS-01 x1



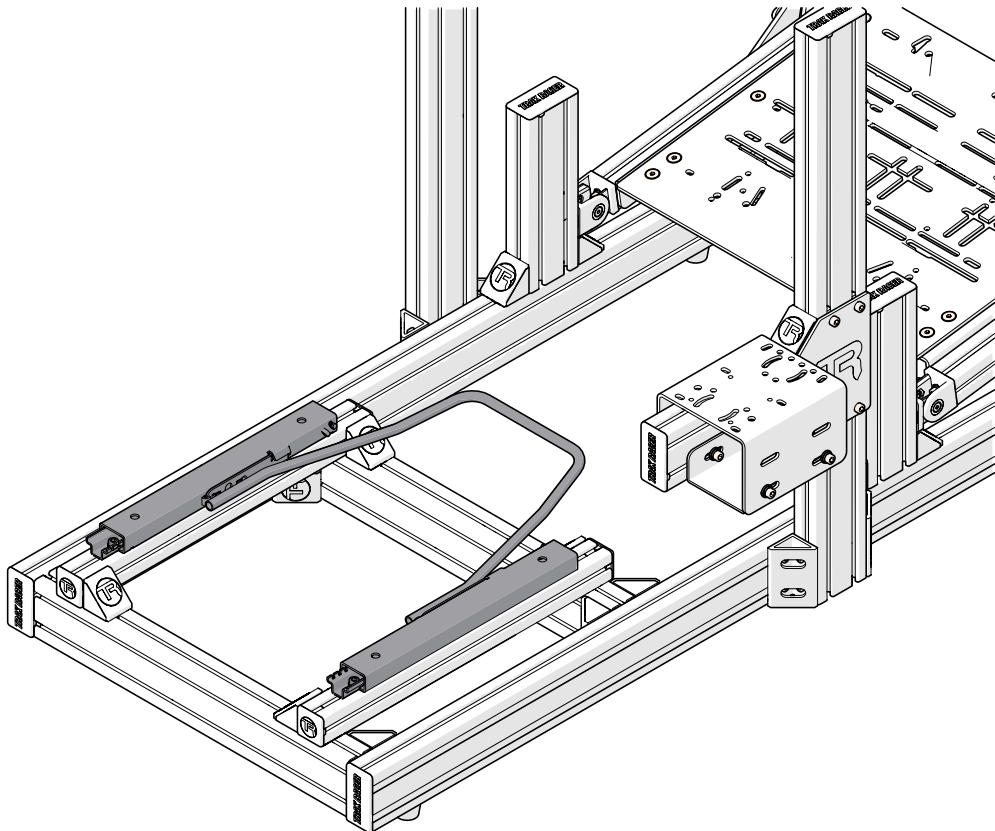
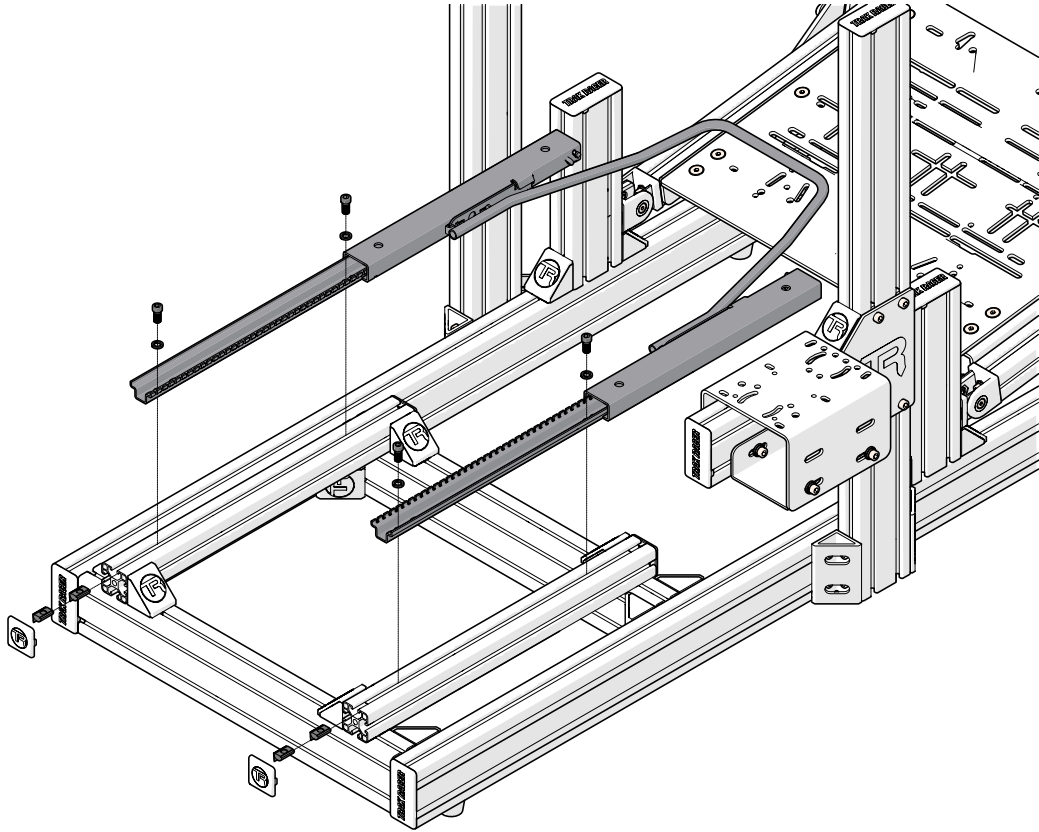
NS-M8 x4



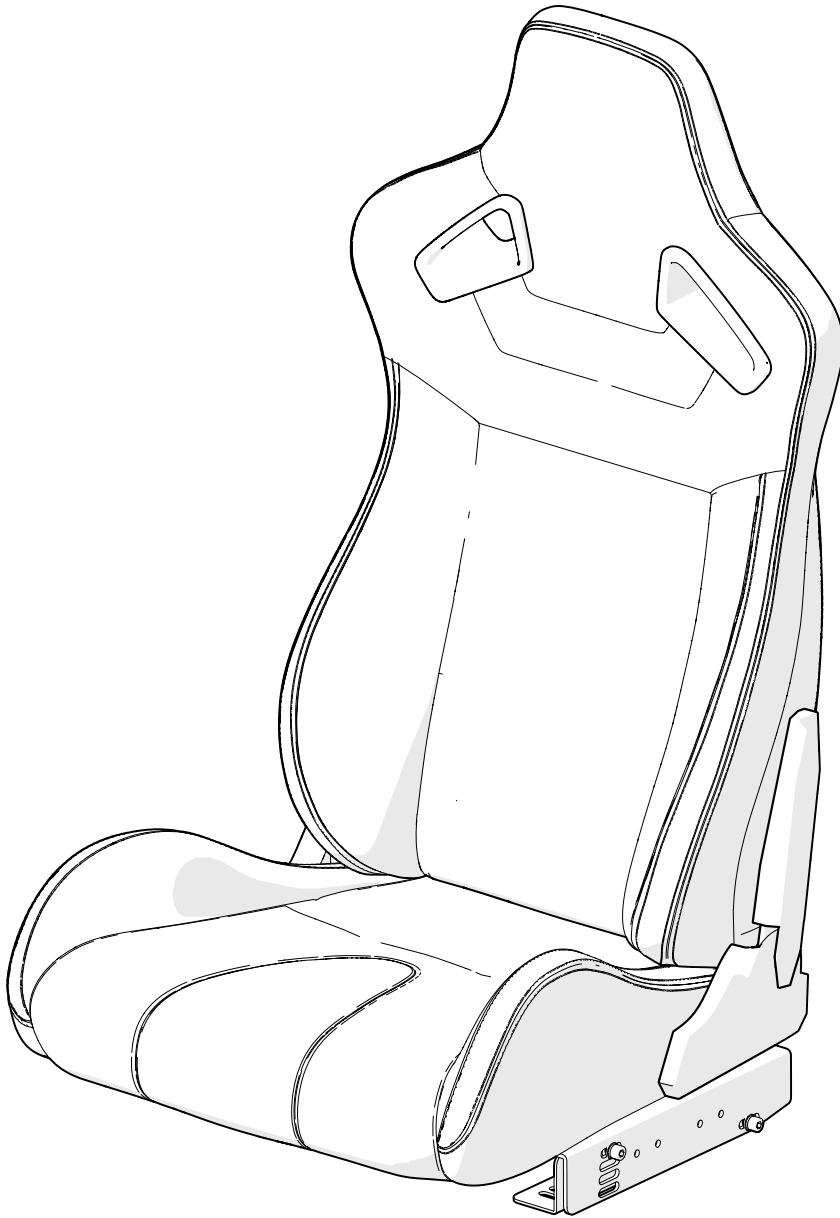
SH-M8-16 x4



WL-M6 x4



Recliner Seat Assembly



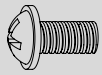
SA-06/SA-07/SA-08



TRAK RACER

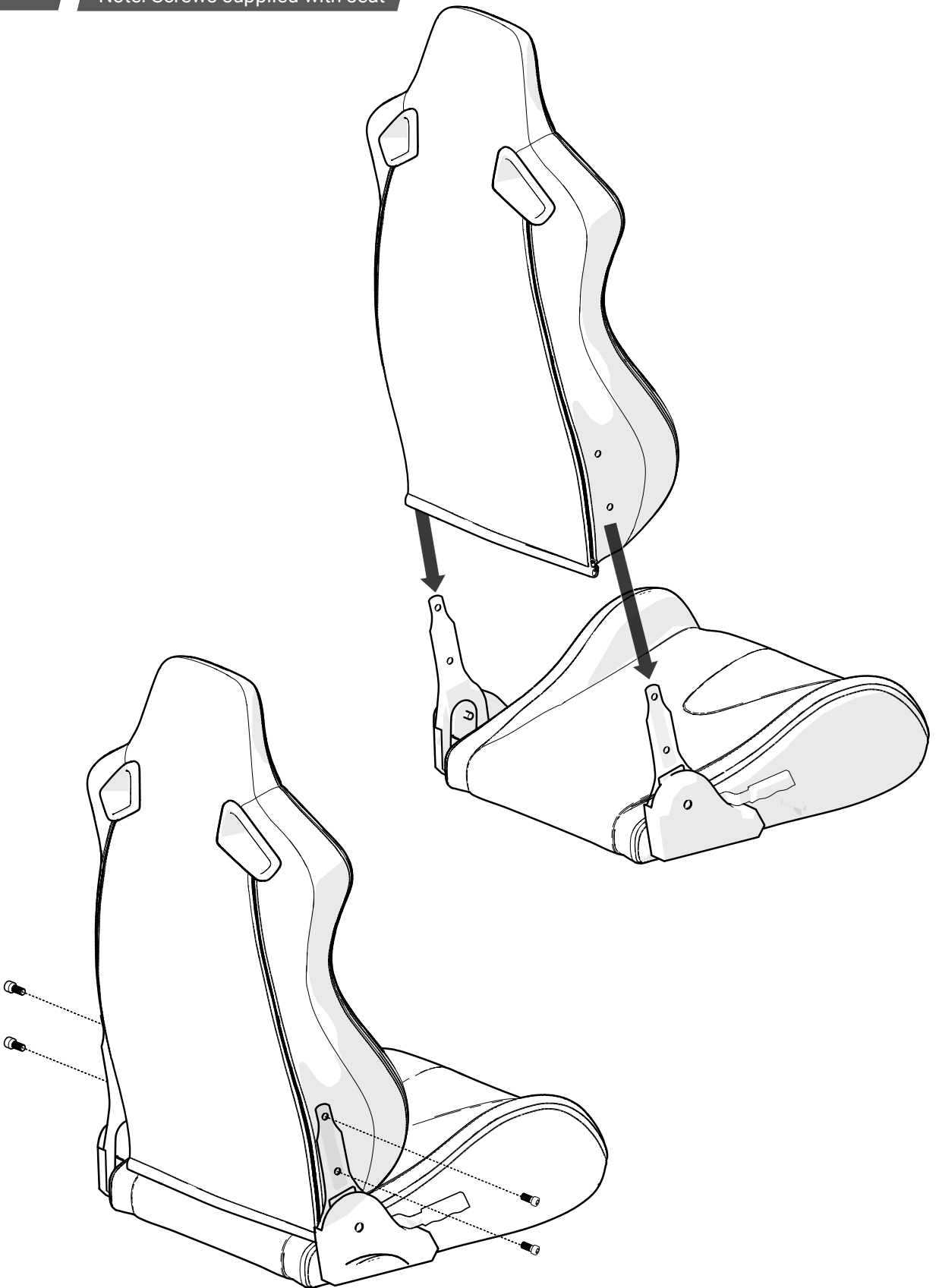
Published 2022-12-06

1

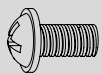


x4

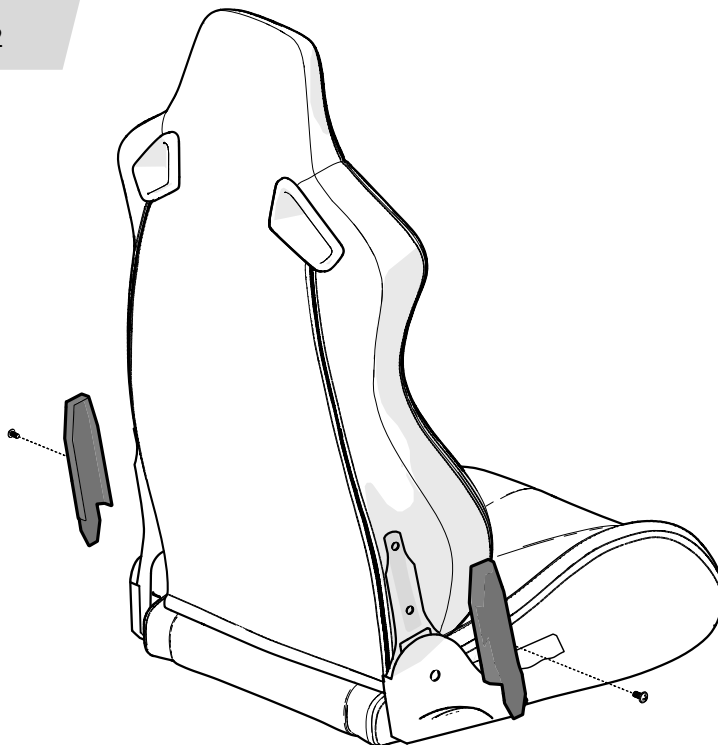
Note: Screws supplied with seat



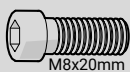
2



x2



3

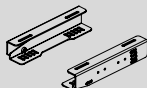


M8x20mm

SH-M8-20 x8

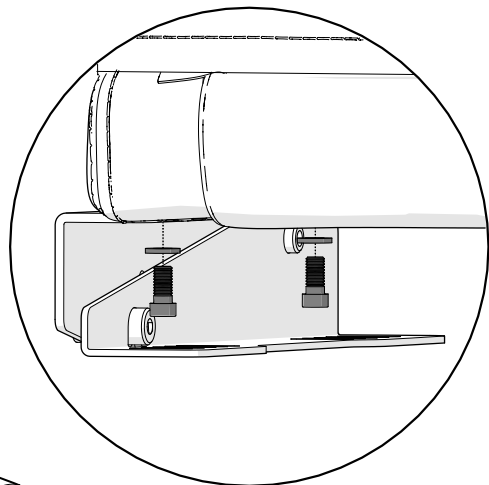
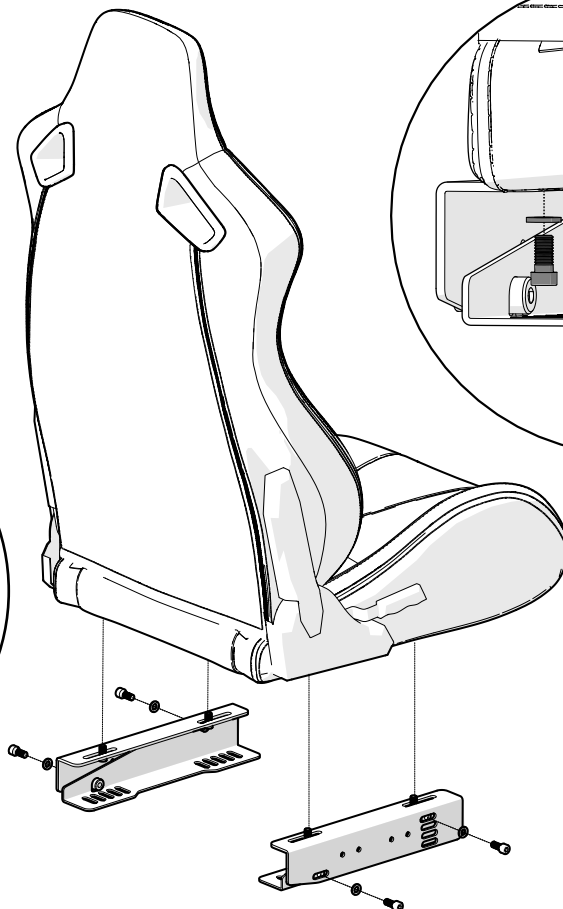
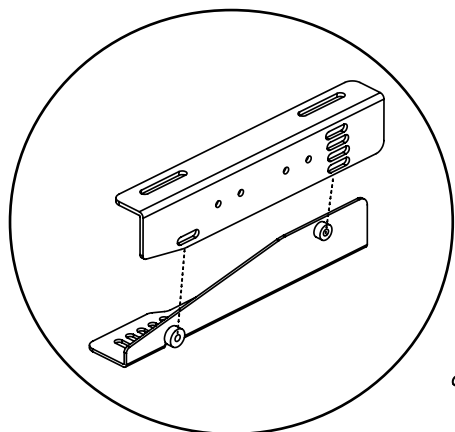


WF-M8 x8



SB-03 x1

Note: Screws supplied with seat & SB-03



4



M8x16mm

SH-M8-16 x4



WF-M8 x4



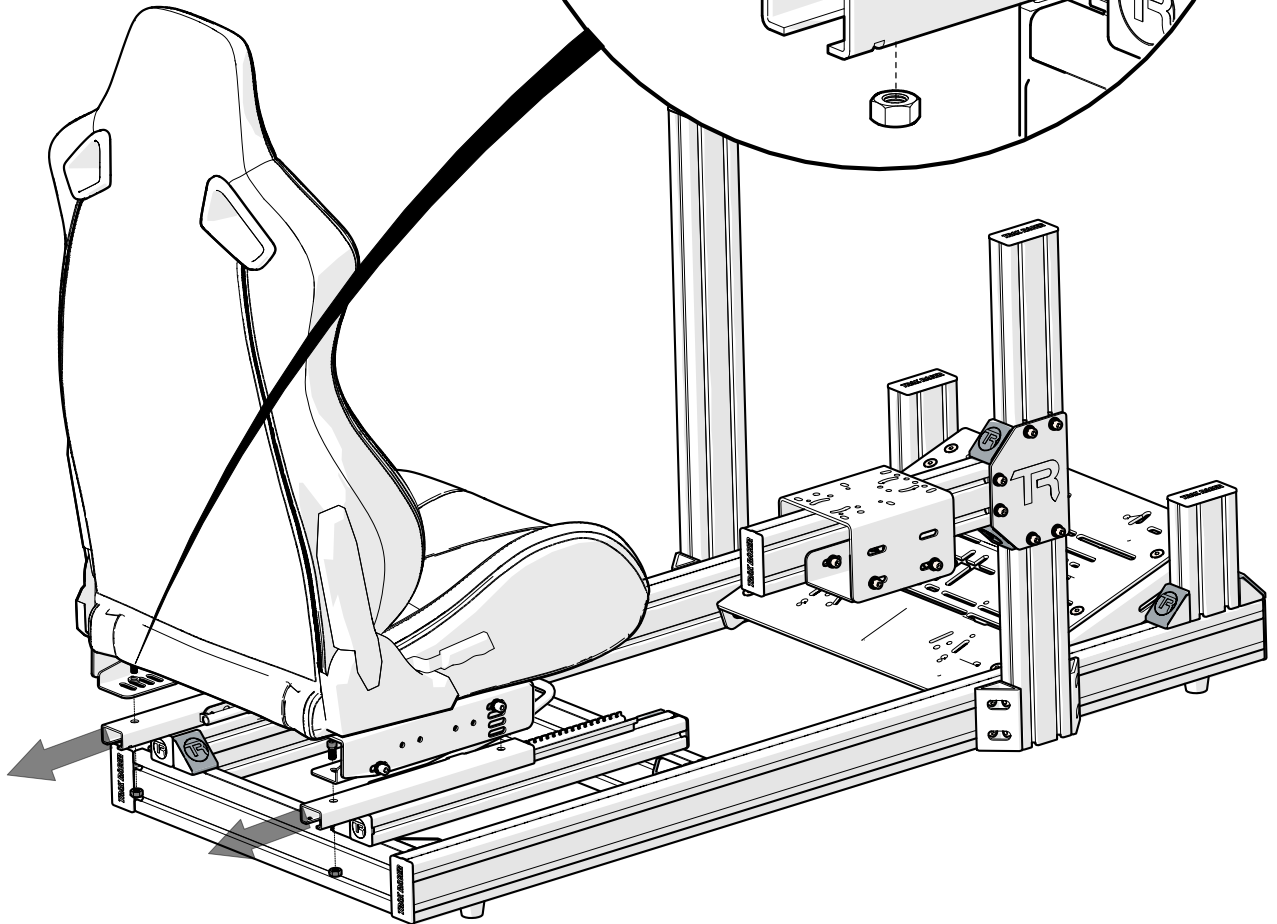
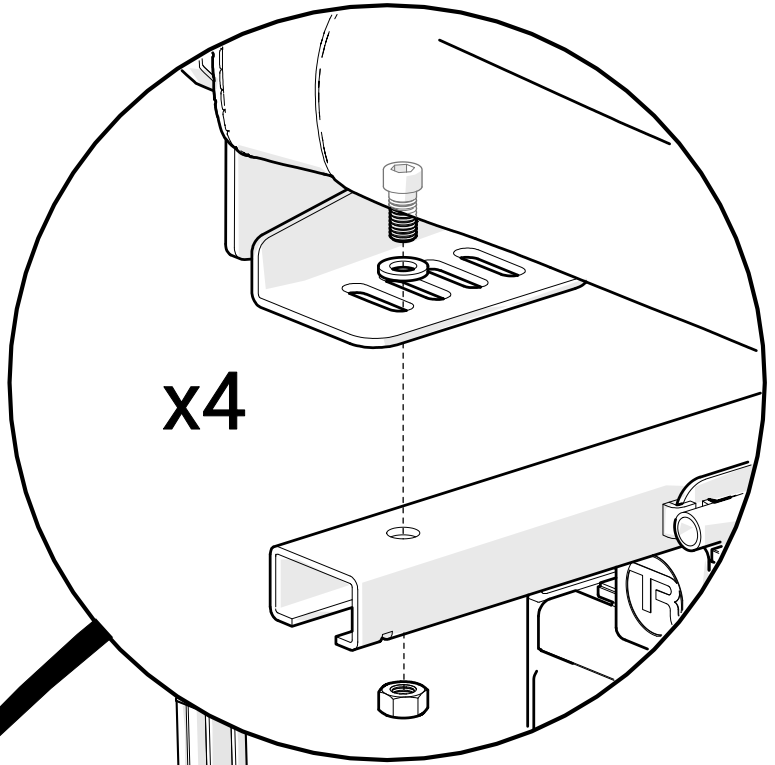
NL-M8 x4

Note: Hardware supplied with Seat Slider

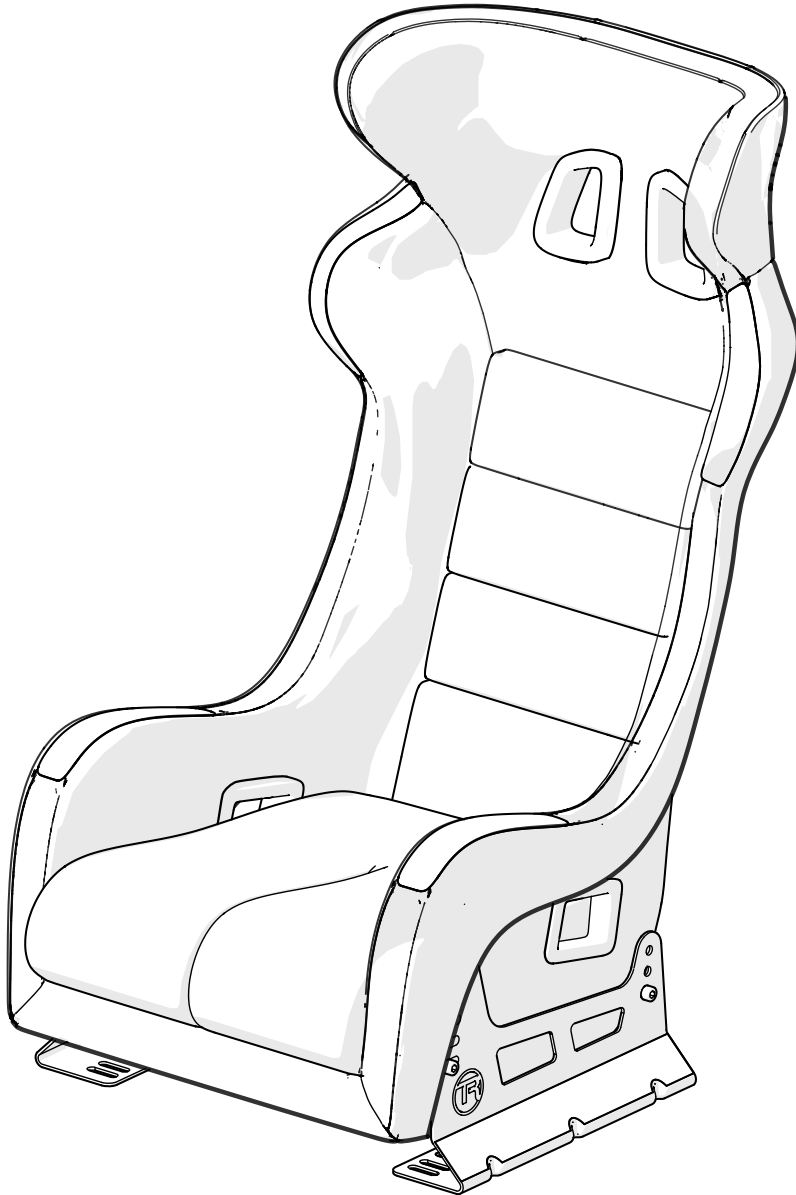
Slide the slider all the way back to install screws and nuts. Then slide all the way forward and repeat for front screws and nuts.



x4



GT/Rally Seat Assembly



SA-04/SA-05/SA-09/SA-10

1



M8x16mm

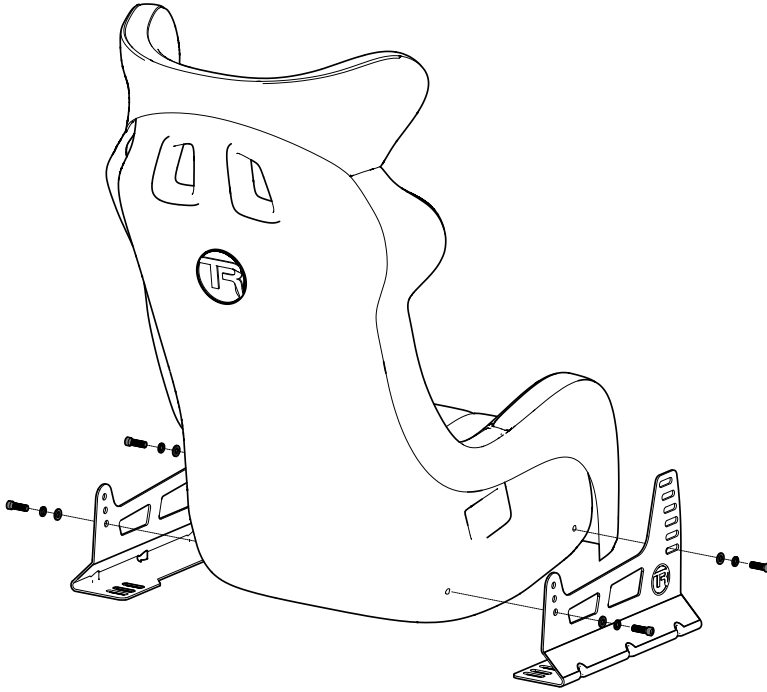
SH-M8-16 x4



WL-M8 x4



WF-M8 x4



2



M8x16mm

SH-M8-16 x4

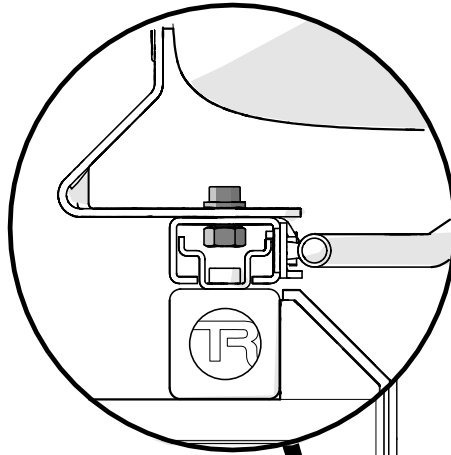
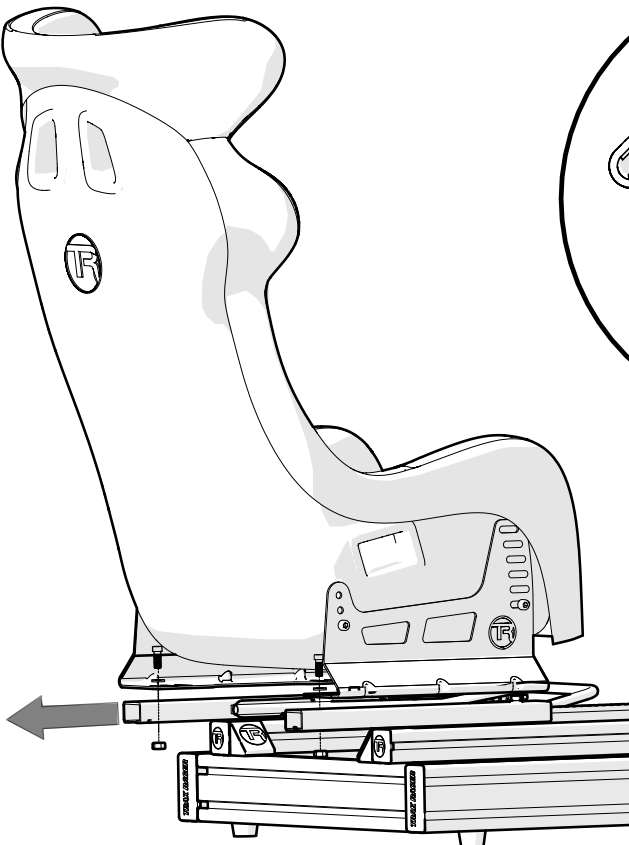


WF-M8 x4

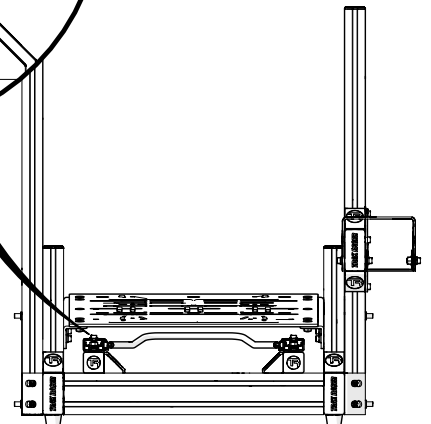


NL-M8 x4

Note: Hardware supplied with Seat Slider



x4

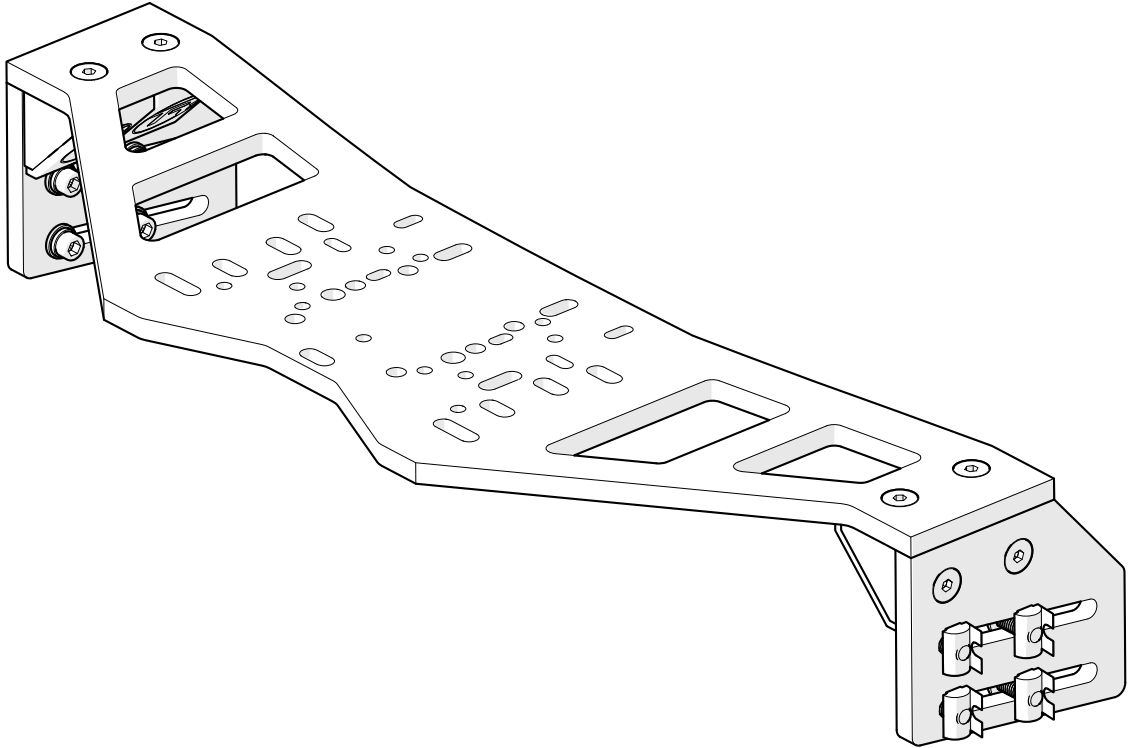


Slide the slider all the way back to install screws and nuts. Then slide all the way forward and repeat for front screws and nuts.



Universal Wheel Base Plate

TR80-WMPLATE



Universal Wheel Base Plate

Part #	Description	QTY	Check
BOX #: TR80-WMPLATE			
SH-M8-20	Screw (Hex), M8x20	8	
SF-M8-20	Screw (Flat), M8x20	8	
SH-M6-20	Screw (Hex), M6x20	4	
WF-M8	Washer (Flat), M8	8	
WL-M8	Washer (Lock), M8	8	
NF-M8	Nut (Flange), M8	8	
NS-M8	T-Nut (Spring), M8	8	
BC-40	Bracket, Corner with Cap, 40x40	4	
WM-WMP-DP	Wheel Mount, Universal, Deck Plate	1	
WM-WMP-PP	Wheel Mount, Universal, Profile Plates	2	

* **NOTE:** Extra hardware may be included as spare parts

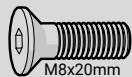
TR80-WMPLATE



TRAK RACER

Published 2022-12-06

1



M8x20mm

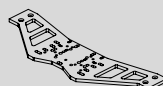
SF-M8-20 x4



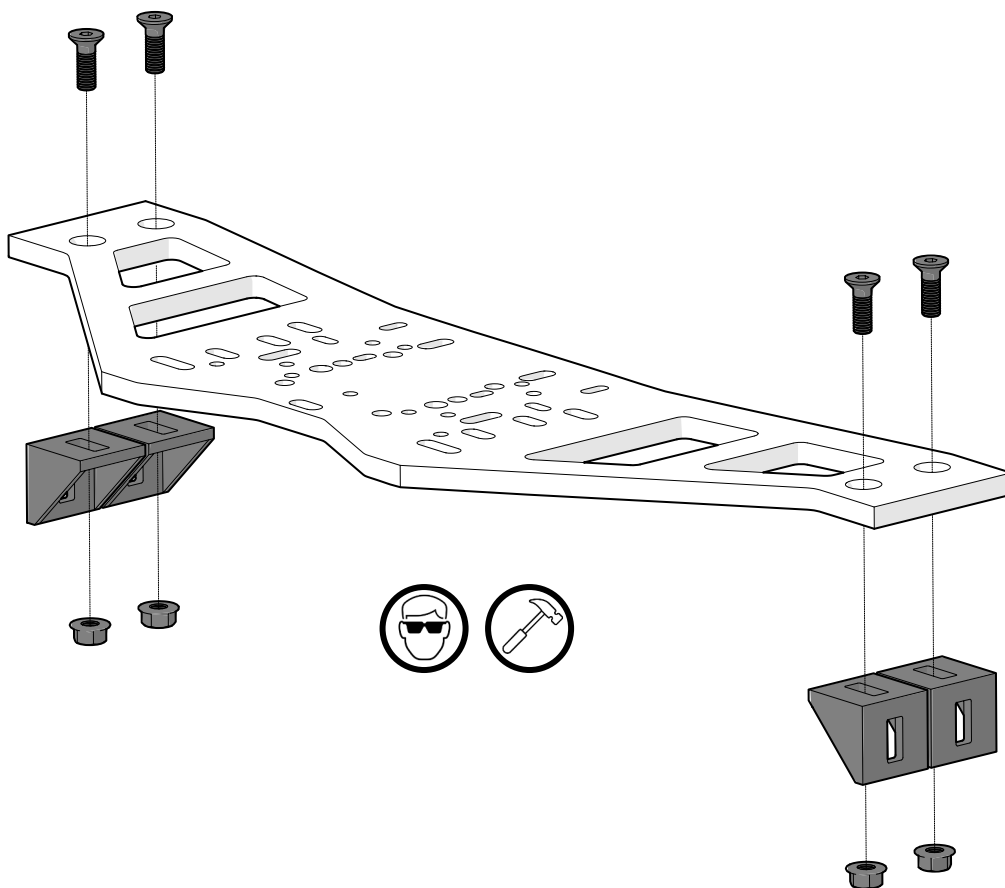
NF-M8 x4



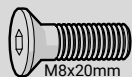
BC-40 x4



WM-WMP-DP x1



2



M8x20mm

SF-M8-20 x4



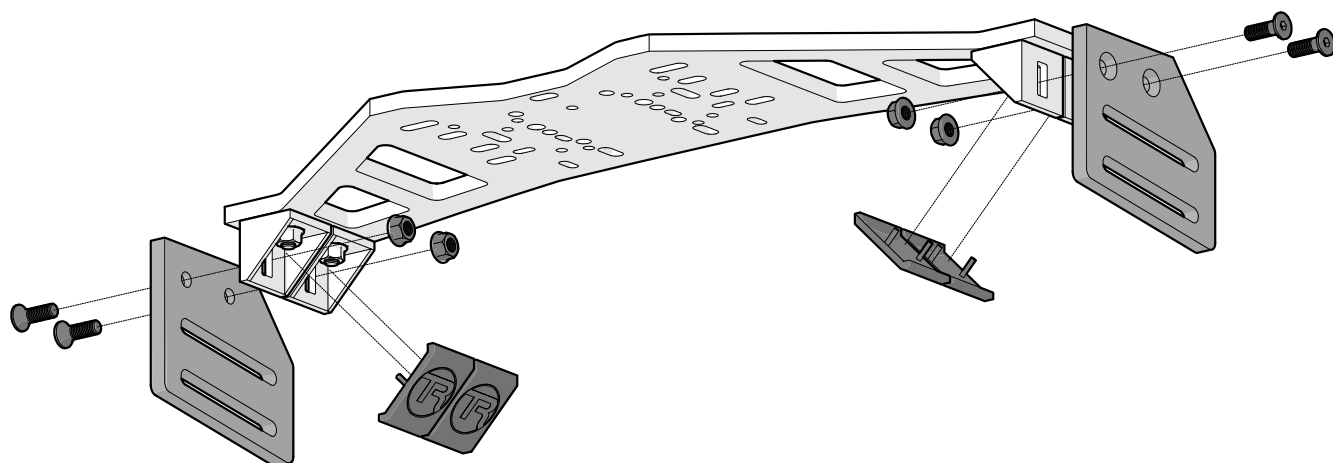
NF-M8 x4



WM-WMP-PP x4



BC-40 x4



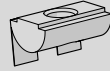
3



SH-M8-20 x8

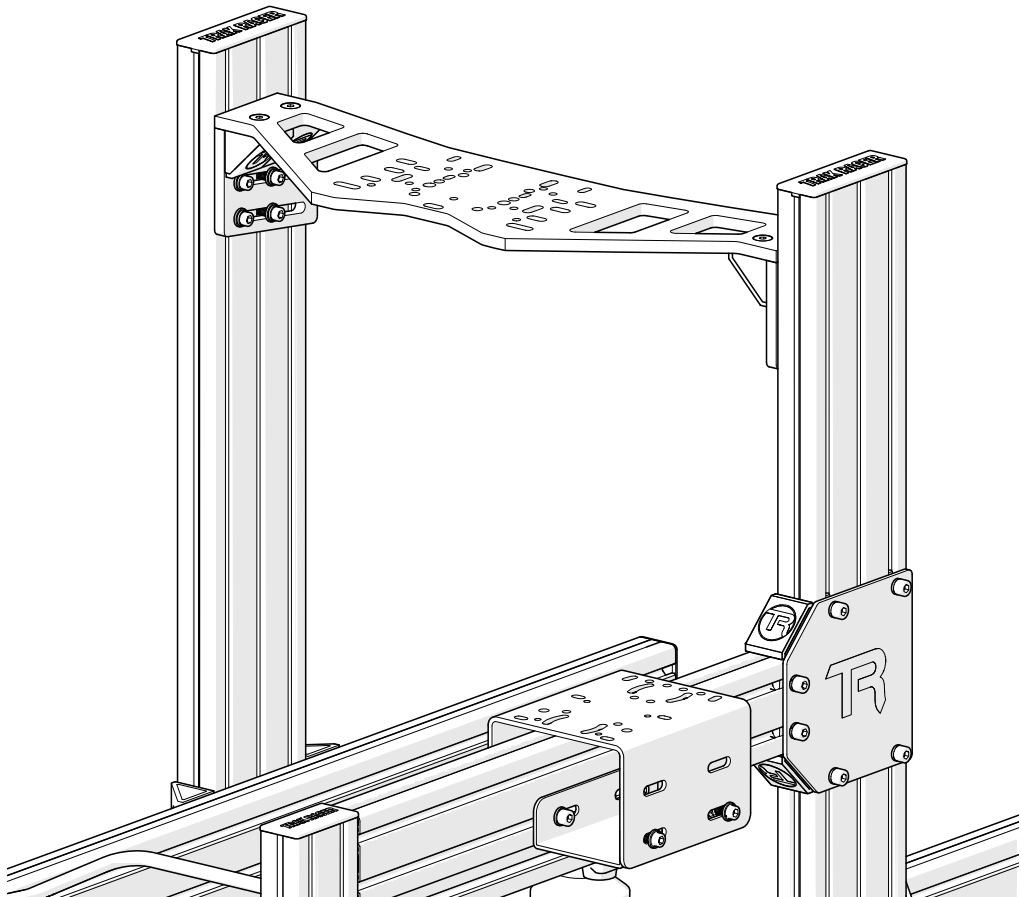
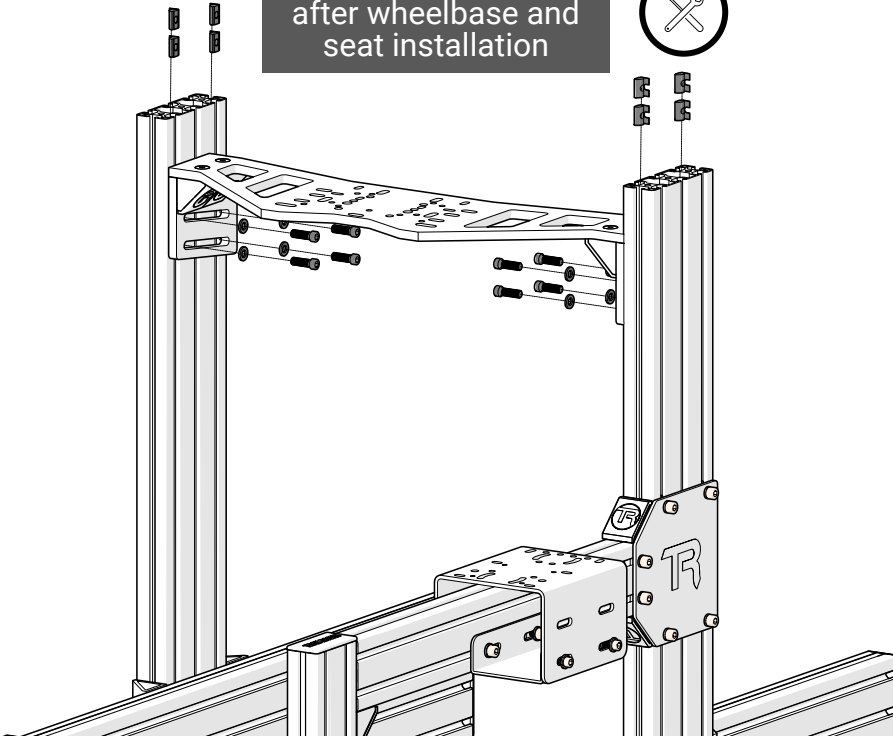


WF-M8 x8



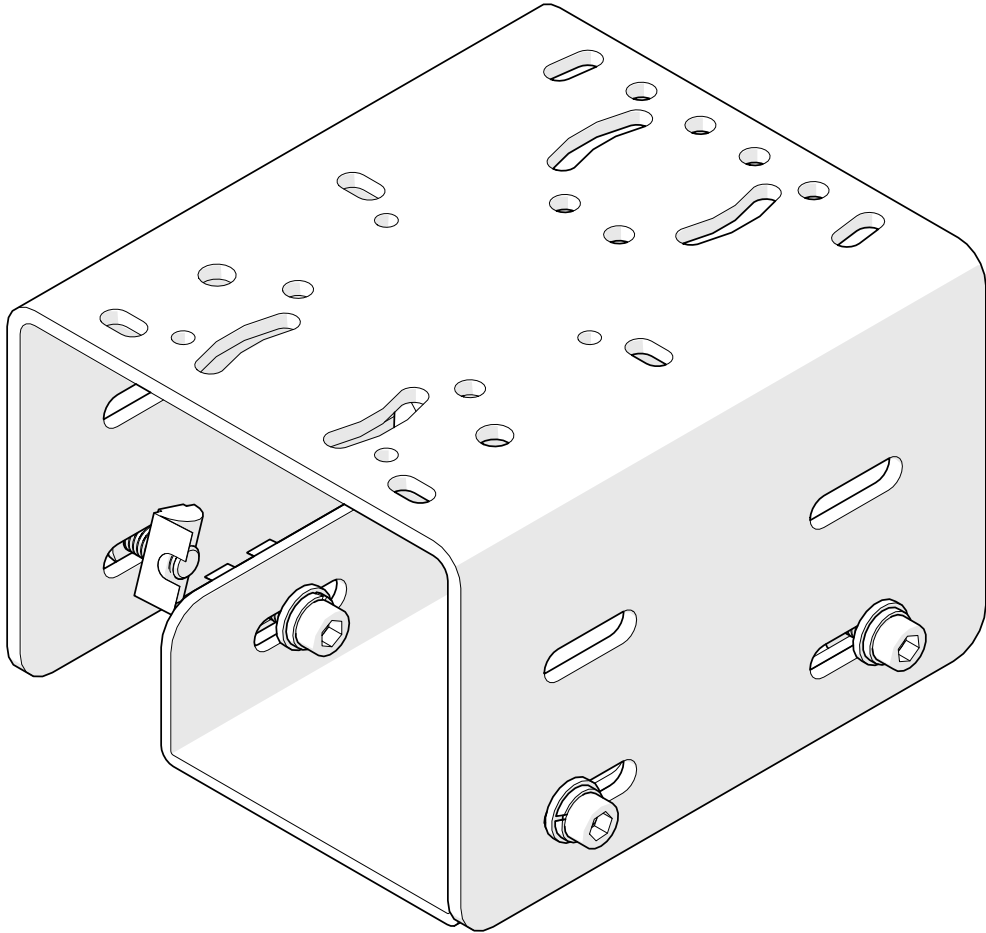
NS-M8 x8

NOTE: Adjust position after wheelbase and seat installation



Universal Shifter Mount

TR80-SHIFTER4



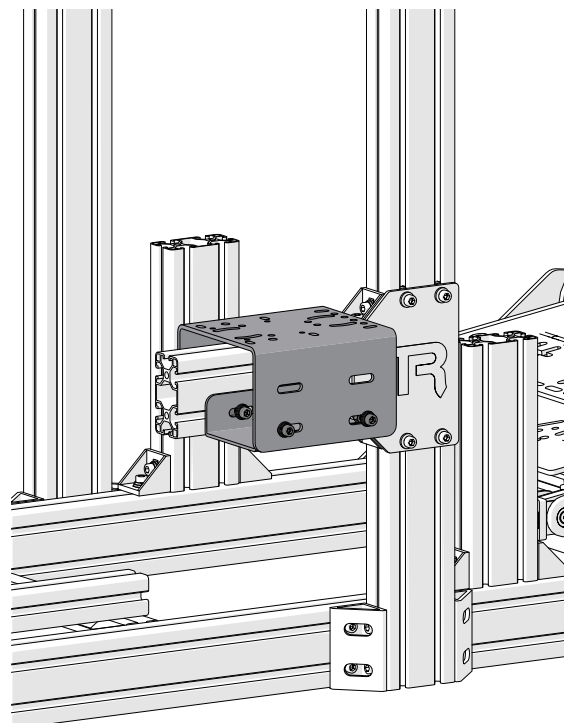
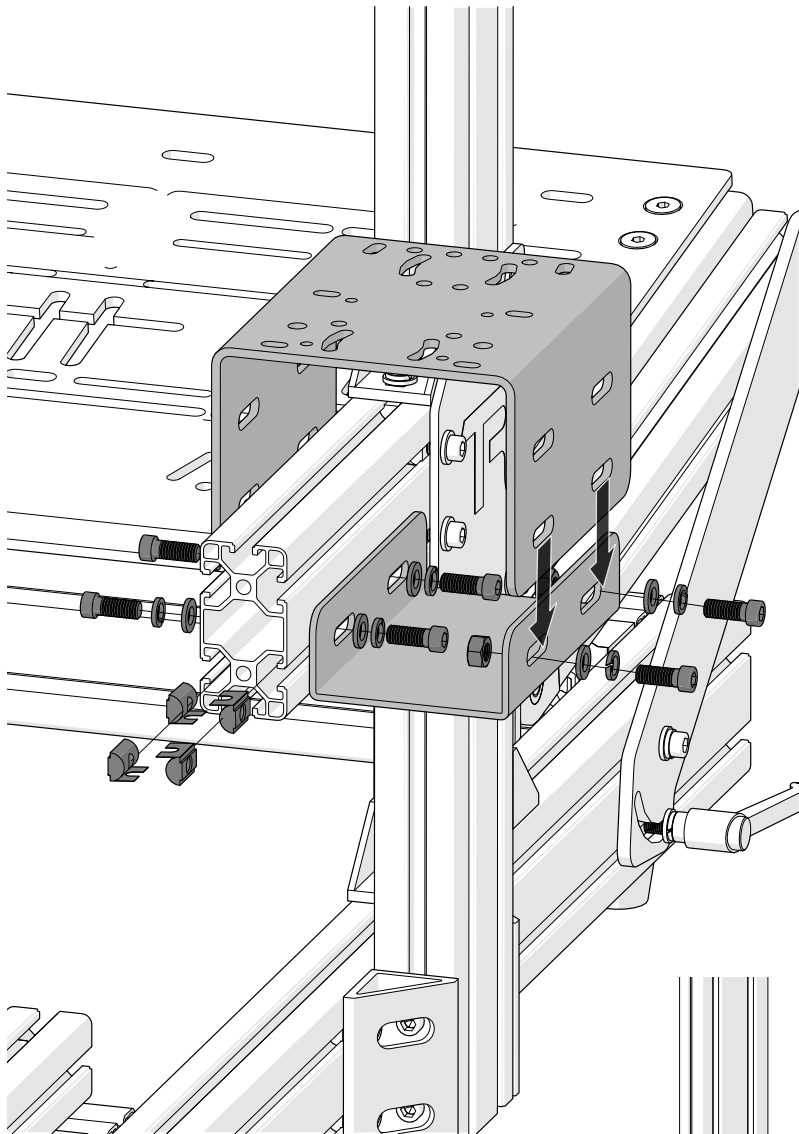
Part #	Description	QTY	Check
BOX #: TR80-SHIFTER4			
SH-M8-20	Screw (Hex), M8x20	6	
SH-M6-15	Screw (Hex), M6x15	2	
WF-M8	Washer (Flat), M8	8	
WL-M8	Washer (Lock), M8	8	
NS-M8	T-Nut (Spring), M8	6	
NF-M8	Nut (Flange), M8	2	
SM-01	Shifter Mount	1	
SM-02	Shifter Bracket	1	

* **NOTE:** Extra hardware may be included as spare parts

TR80-SHIFTER4

1

- NS-M8 x4
- SH-M8-20 x6
- WL-M8 x6
- WF-M8 x6
- NF-M8 x2
- SM-01 x1
- SM-02 x1



FINISHED



Share your build online and tag us to be featured!



@trakracer



@trakracer



@trak_racer